



# HONDA

## INSTALLATION INSTRUCTIONS

Accessory

**REAR CARRIER**  
P/N 08L70-MJF-A00ZP

Application

**CTX700N/ND (Pages 2-3)**  
**CTX700/D (Pages 4-5)**

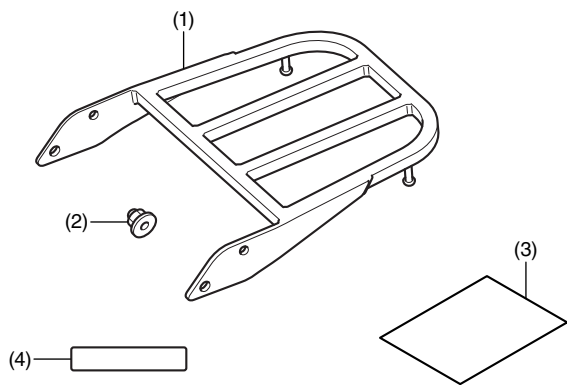
Publication No.

**MII 14476**

Issue Date

**Revised August 2014**

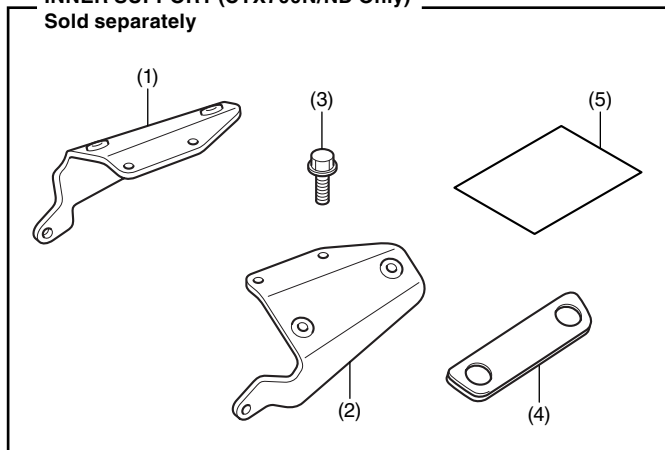
### PARTS LIST



No.	Description	Qty
(1)	Rear carrier	1
(2)	8 mm flange cap nut	2
(3)	Installation Instruction URL	1
(4)	Safety label	1

### INNER SUPPORT (CTX700N/ND Only)

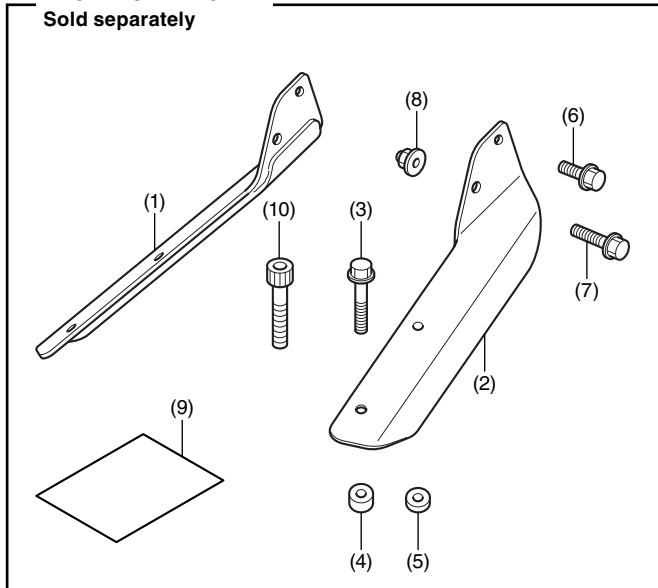
Sold separately



No.	Description	Qty
(1)	Right inner support stay	1
(2)	Left inner support stay	1
(3)	8 mm flange bolt	6
(4)	Cushion	2
(5)	Installation Instruction URL	1

### BACKREST BRACKET

Sold separately



No.	Description	Qty
(1)	Right backrest stay	1
(2)	Left backrest stay	1
(3)	8 mm flange bolt (long)	4
(4)	Collar (thick)	2
(5)	Collar (thin)	2
(6)	8 mm flange bolt (short)	4
(7)	8 mm flange bolt (medium)	4
(8)	8 mm flange cap nut	2
(9)	Installation Instruction URL	1
(10)	8 mm socket bolt ( <b>Not used.</b> )	4

### TOOLS AND SUPPLIES REQUIRED

- Socket (12 mm)
- Ratchet
- Box-end wrench (12 mm)
- Isopropyl alcohol
- Shop towel
- Torque wrench

### TORQUE CHART

Tighten all screws, bolts, and nuts to their specified torque values. Refer to the Service Manual for the torque values of the removed parts.

Item	N-m	kgf-m	lbf-ft
8 mm flange cap nut	27	2.8	20

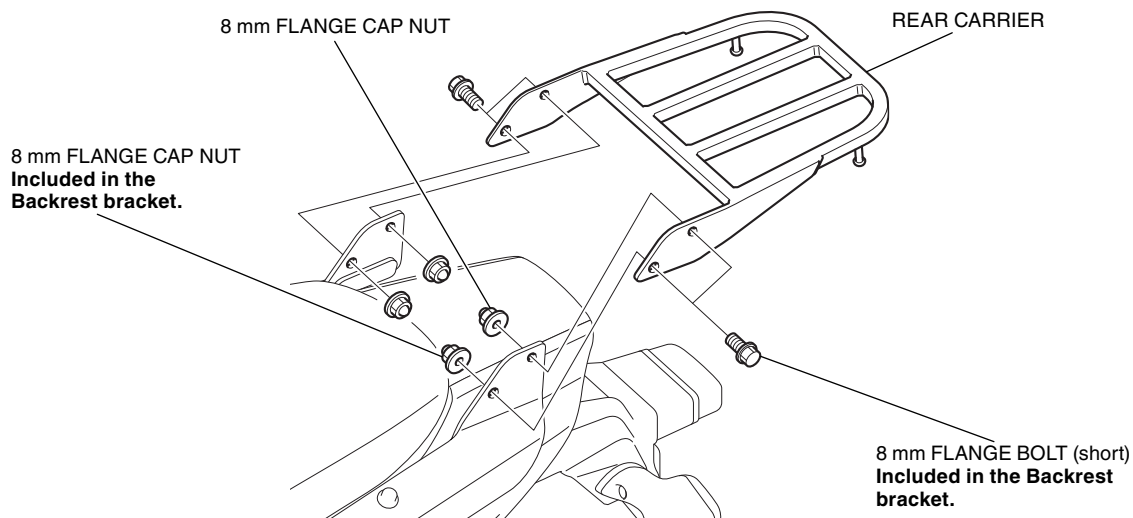
## INSTALLATION (CTX700N/ND)

### NOTE:

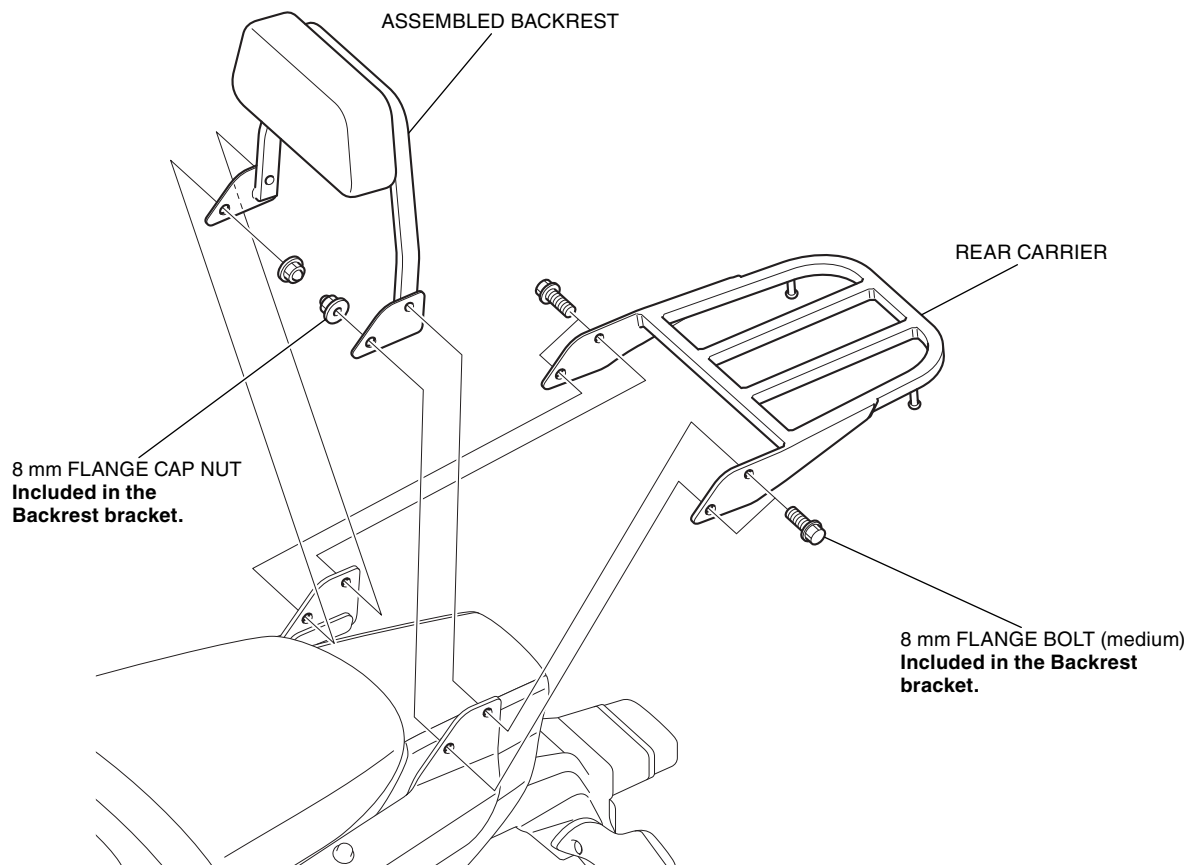
- Take care not to damage the painted surfaces of the motorcycle.
- **Illustrations show CTX700N type, other type is similar.**

1. Refer to the Installation Instructions for the separately sold backrest bracket, install the backrest bracket on the motorcycle.
2. Loosely install the rear carrier and/or backrest as shown.

### When Installing the Rear Carrier



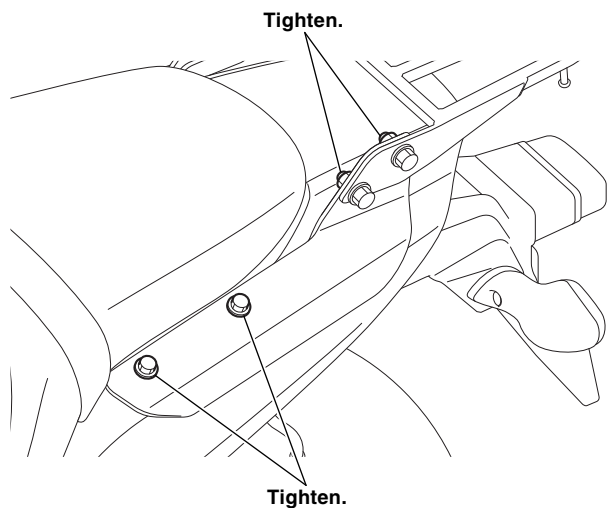
### When Installing the Rear Carrier and Backrest



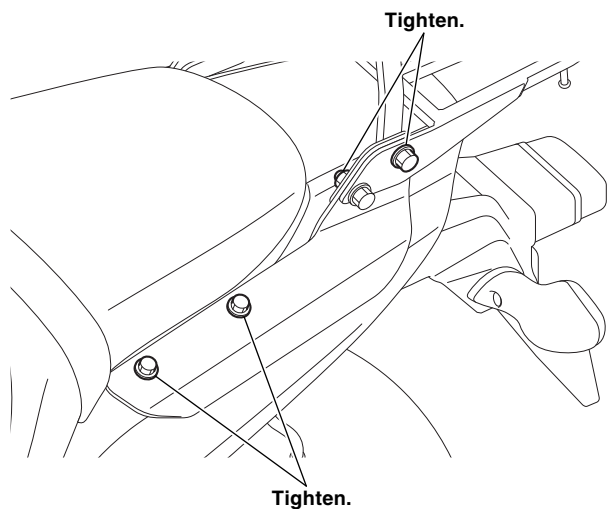
3. Tighten all loosely installed hardware to the specifications in the torque chart.

- **Left side shown, right side is the same.**

### Rear Carrier



### Rear Carrier and Backrest

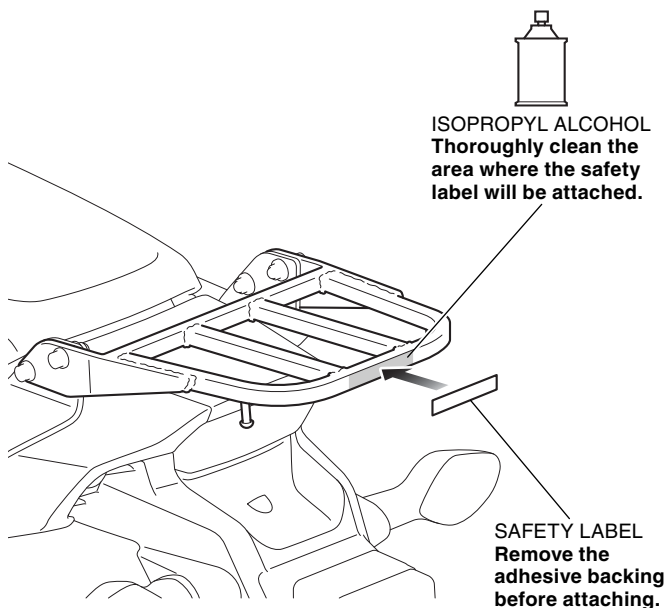


## LABEL INSTALLATION

NOTE:

- Heat the bonding surfaces with a hair dryer if the ambient air temperature is below 70°F (21°C).
- The adhesive reaches full strength in 72 hours. Wait at least 24 hours before riding your motorcycle.

1. Attach the safety label in the position shown.



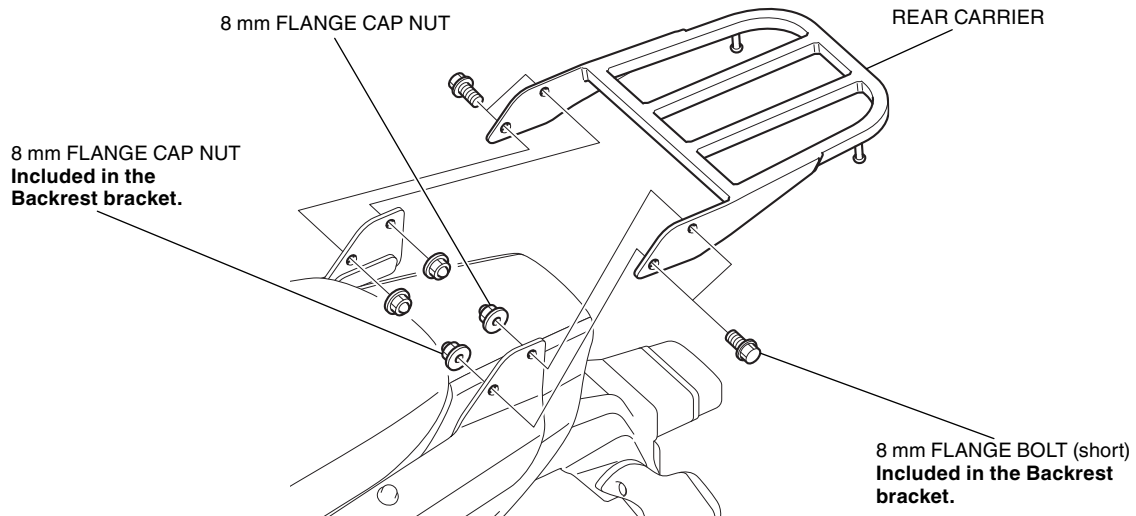
## INSTALLATION (CTX700/D)

### NOTE:

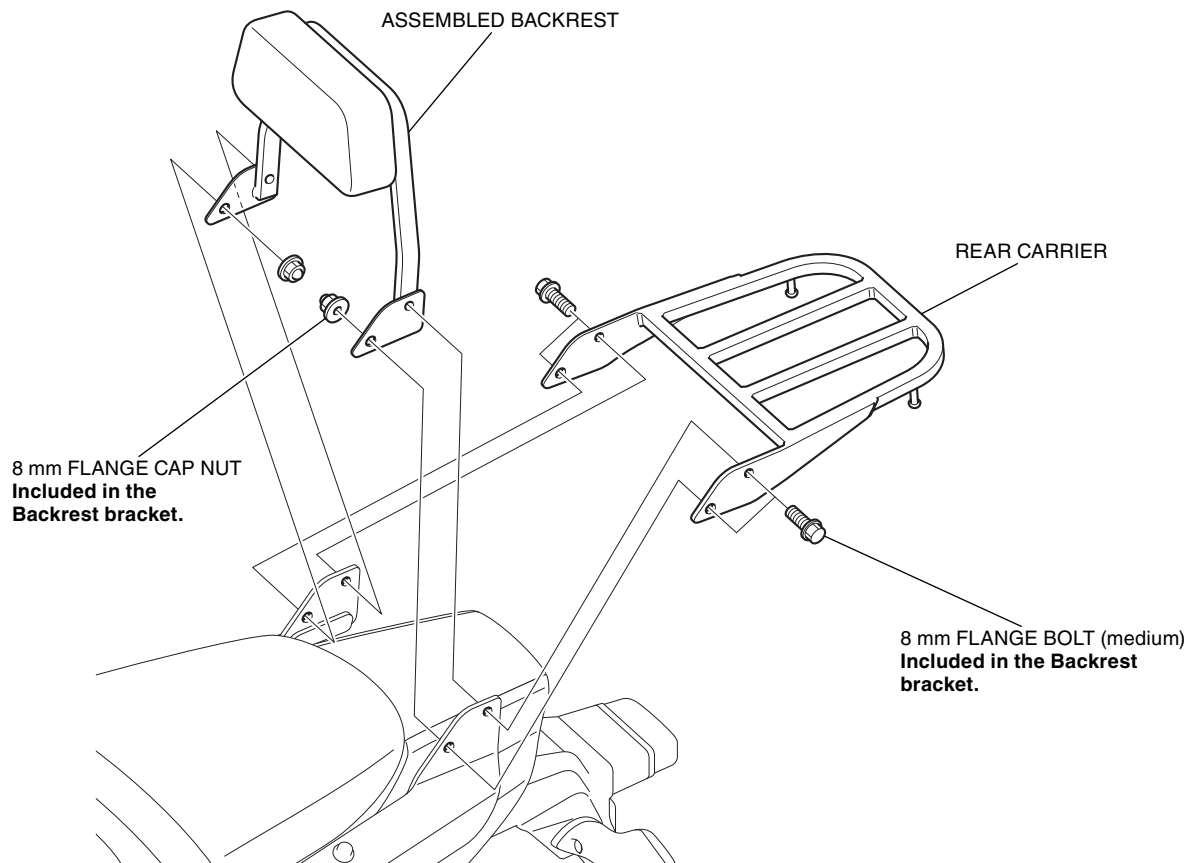
- Take care not to damage the painted surfaces of the motorcycle.
- **Illustrations show CTX700N type, other type is similar.**

1. Refer to the Installation Instructions for the separately sold backrest bracket, install the backrest bracket on the motorcycle.
2. Loosely install the rear carrier and/or backrest as shown.

### When Installing the Rear Carrier



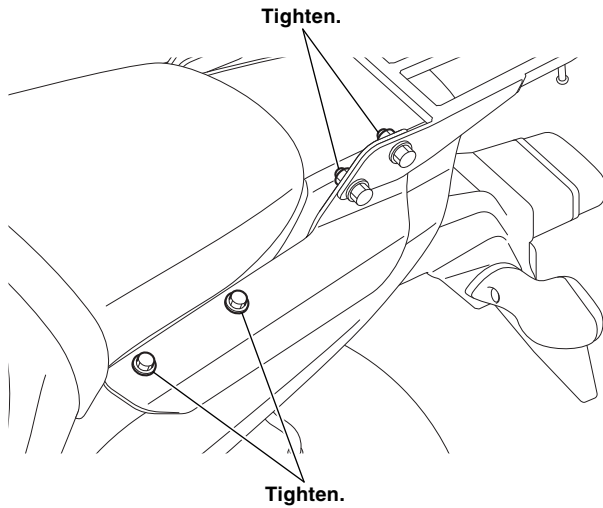
### When Installing the Rear Carrier and Backrest



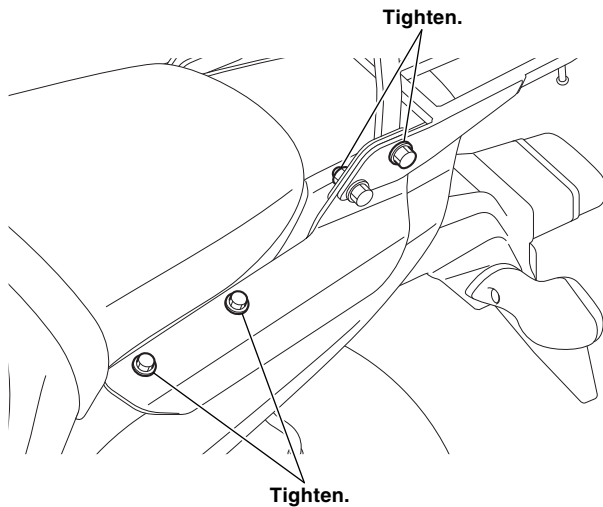
3. Tighten all loosely installed hardware to the specifications in the torque chart.

- **Left side shown, right side is the same.**

### Rear Carrier



### Rear Carrier and Backrest



## LABEL INSTALLATION

### NOTE:

- Heat the bonding surfaces with a hair dryer if the ambient air temperature is below 70°F (21°C).
- The adhesive reaches full strength in 72 hours. Wait at least 24 hours before riding your motorcycle.

1. Attach the safety label in the position shown.

