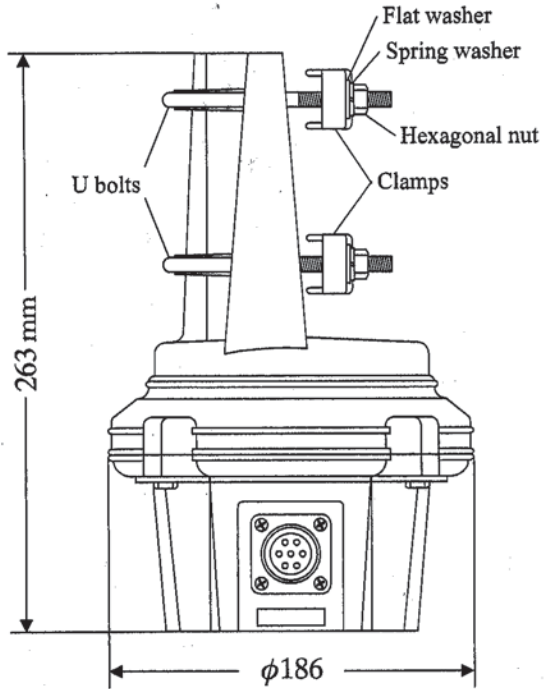
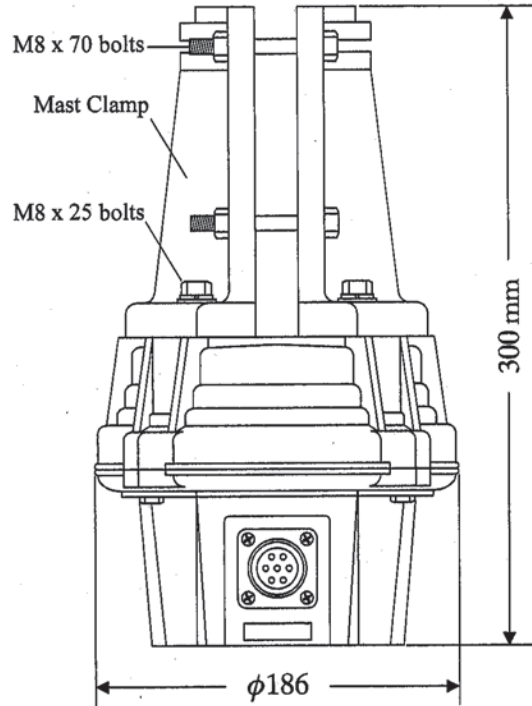


Rotator Unit Components and Dimensions

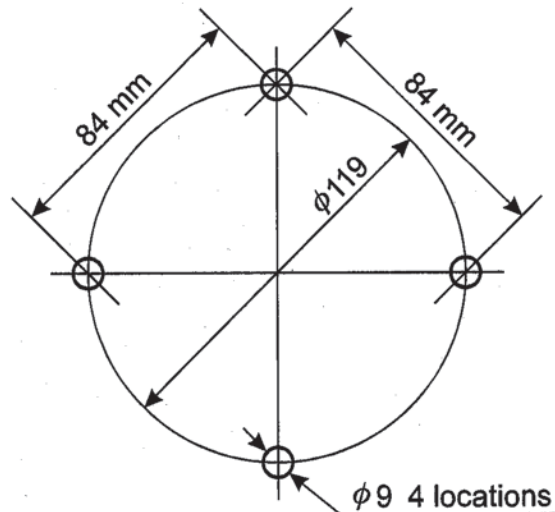
Rotator Unit G-450A/-650A



G-1000A



Rotator Attachment Plate Dimensions



The tower plate onto which the rotator unit is mounted must be drilled with four holes of 9 mm diameter, equally spaced on a circle of 119 mm diameter. The center-to-center distance between any two adjacent mounting holes is 84 mm.