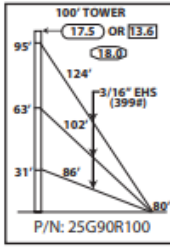
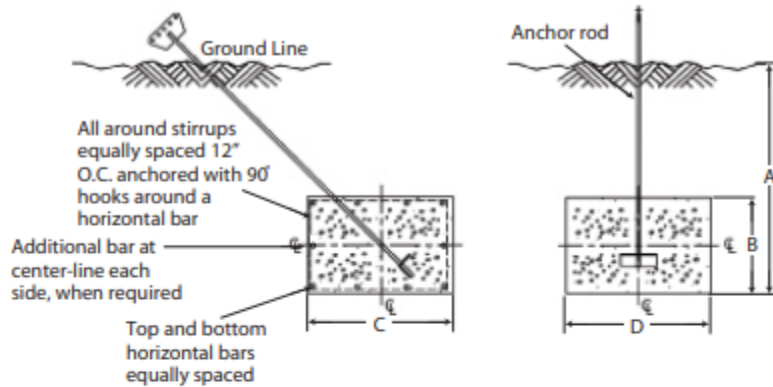


NITA Tower Project 2021



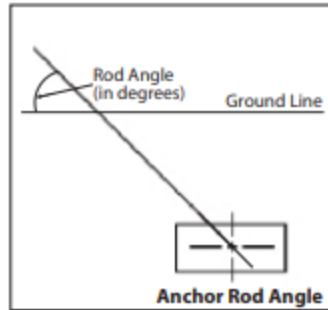
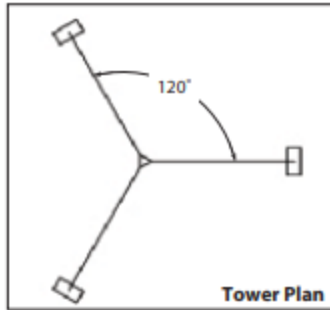
TOWER PARTS INCLUDED	25G	25AG2	BPC25G	GA25GD	FDNS	
					BASE	ANCHOR
	9	1	1	3	CB1G	AB2
GUYS & CONNECTIONS INCLUDED	3/16EHS	BG2142	5/16THH	1/2TBE&J	TBSAFETY	
	1000'	18	18	9	3	
ANCHORS & GROUNDING INCLUDED	GAC3455TOP	AGK1GGX	BGK3GGX	CPC.5/.75	3/4x12PP	
	3	1	3	3	1	

100' ROHN 25G
 All parts shown in table are included when ordering
 Part No: 2590R100



Refer to page 43 for anchor rod installation angles.

Block	Anchor Dimensions (in.)				Horizontal Bars (Qty. & Size)	Stirrup Size & Spacing	Concrete Vol. (Cu. Yds.)
	A	B	C	D			
AB2	4' - 0"	1' - 6"	4' - 0"	6' - 0"	(5) #6 Bars, Top Layer (5) #6 Bars, Bottom Layer (0) Additional Bar, Each Side	#3 @ 12" O.C.	1.33 Per Block 4.0 Total for 3
AB3	6' - 0"	1' - 6"	3' - 0"	6' - 0"	(4) #6 Bars, Top Layer (4) #6 Bars, Bottom Layer (0) Additional Bar, Each Side	#3 @ 12" O.C.	1.0 Per Block 3.0 Total for 3
AB4	6' - 0"	1' - 6"	4' - 0"	9' - 0"	(5) #6 Bars, Top Layer (5) #6 Bars, Bottom Layer (0) Additional Bar, Each Side	#4 @ 12" O.C.	2.0 Per Block 6.0 Total for 3
AB5	8' - 0"	2' - 0"	3' - 0"	10' - 0"	(4) #7 Bars, Top Layer (4) #7 Bars, Bottom Layer (1) Additional Bar, Each Side	#4 @ 12" O.C.	2.22 Per Block 6.7 Total for 3
AB6	8' - 0"	2' - 0"	4' - 0"	10' - 0"	(5) #7 Bars, Top Layer (5) #7 Bars, Bottom Layer (1) Additional Bar, Each Side	#4 @ 12" O.C.	2.96 Per Block 8.9 Total for 3



25G 90MPH		
Tower Height	Rod Number	Rod Angle
40'	GAC3455TOP	48
50'	GAC3455TOP	42
60'	GAC3455TOP	42
70'	GAC3455TOP	42
80'	GAC3455TOP	39
90'	GAC3455TOP	39
100'	GAC3455TOP	39
110'	GAC3455TOP	39
120'	GAC3455TOP	38
130'	GAC3455TOP	38
140'	GAC3455TOP	38
150'	GAC3455TOP	37
160'	GAC3455TOP	37
170'	GAC3455TOP	37
180'	GAC3455TOP	37
190'	GAC3455TOP	37

25G 110MPH				
Tower Height	Inner Rod Number	Inner Rod Angle	Outer Rod Number	Outer Rod Angle
40'	GAC3455TOP	48	-	-
50'	GAC3455TOP	41	-	-
60'	GAC3455TOP	41	-	-
70'	GAC3455TOP	41	-	-
80'	GAC3455TOP	38	-	-
90'	GAC3455TOP	38	-	-
100'	GAC3455TOP	39	-	-
110'	GAC3455TOP	38	-	-
120'	GAC3455TOP	37	-	-
130'	GAC3455TOP	37	-	-
140'	GAC3455TOP	37	-	-
150'	GAC3455TOP	36	-	-
160'	GAC3455TOP	36	-	-
170'	GAC3455TOP	40	GAC3455TOP	42
180'	GAC3455TOP	41	GAC3455TOP	42
190'	GAC3455TOP	43	GAC3455TOP	42

25G 130MPH		
Tower Height	Rod Number	Rod Angle
40'	GAC3455TOP	50
50'	GAC3455TOP	41
60'	GAC3455TOP	41
70'	GAC3455TOP	40
80'	GAC3455TOP	38
90'	GAC3455TOP	38
100'	GAC3455TOP	38

