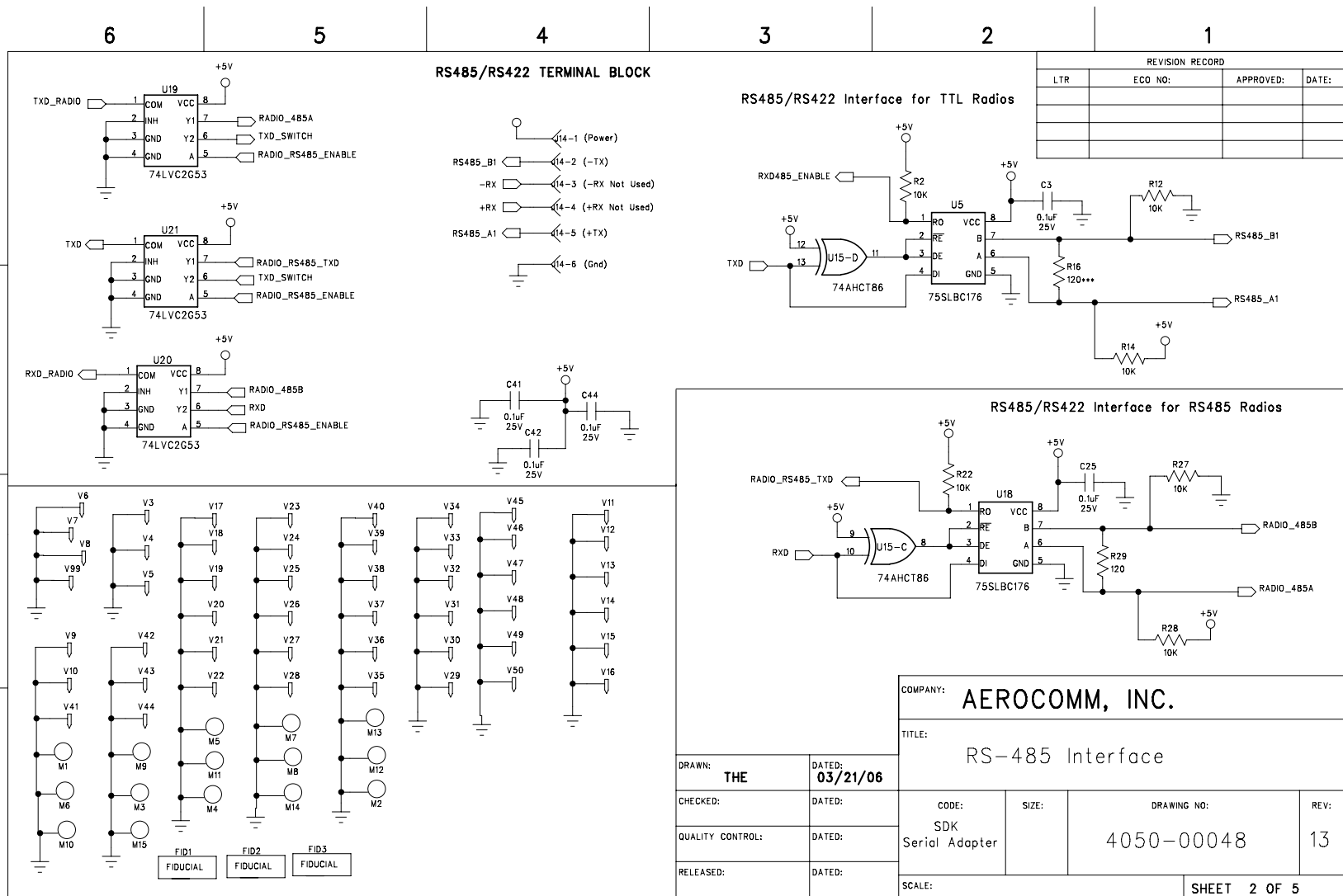


REVISION RECORD			
LTR	ECO NO:	APPROVED:	DATE:

COMPANY: AEROCOMM, INC.		SERADP4.SCH	
TITLE: SERIAL BD COMPUTER			
CODE: SDK Serial Adapter	SIZE:	DRAWING NO: 4050-00048	REV: 13
SCALE:		SHEET: 1 OF 5	

DRAWN: THE	DATED: 03/21/06
CHECKED:	DATED:
QUALITY CONTROL:	DATED:
RELEASED:	DATED:



D

D

C

C

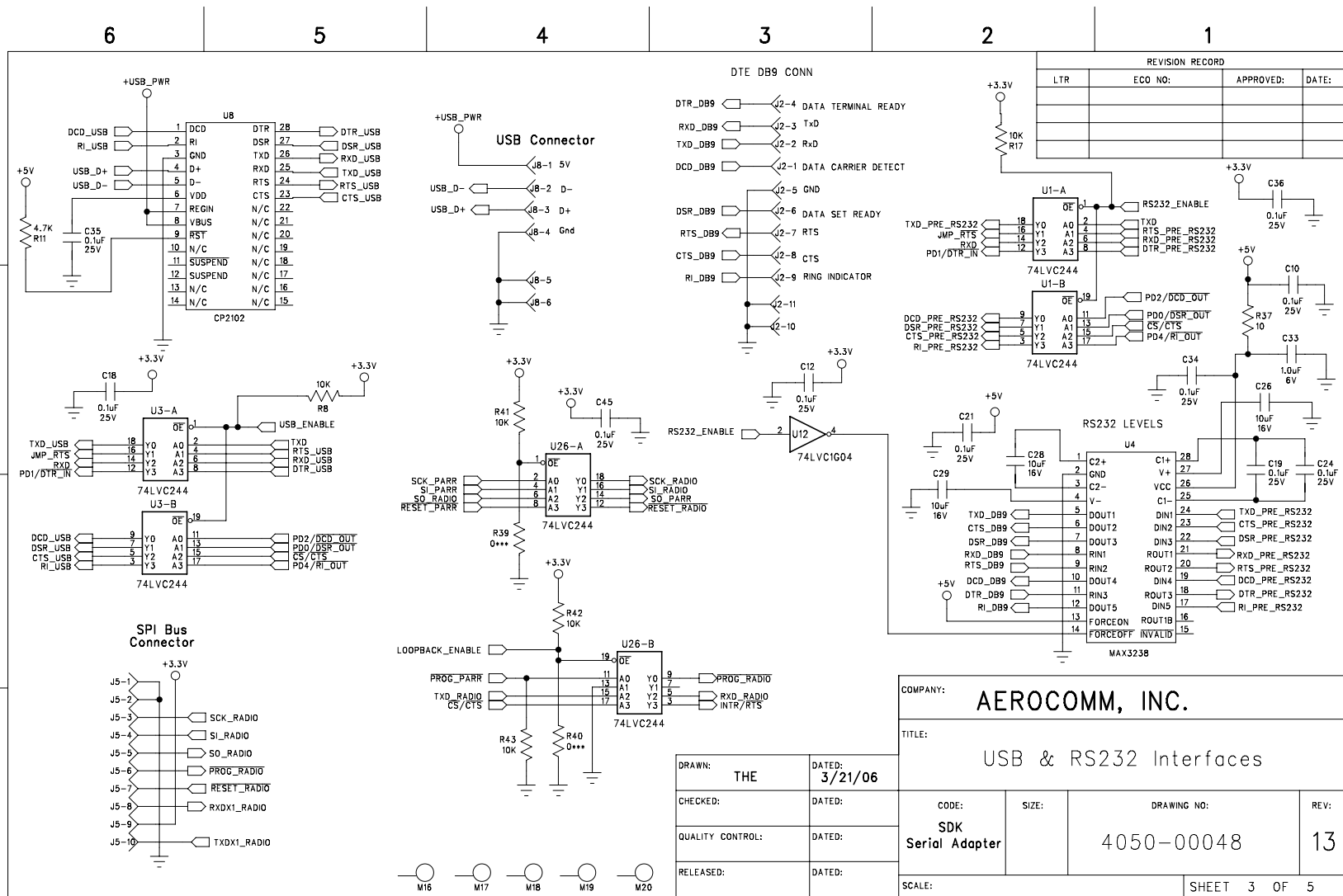
B

B

A

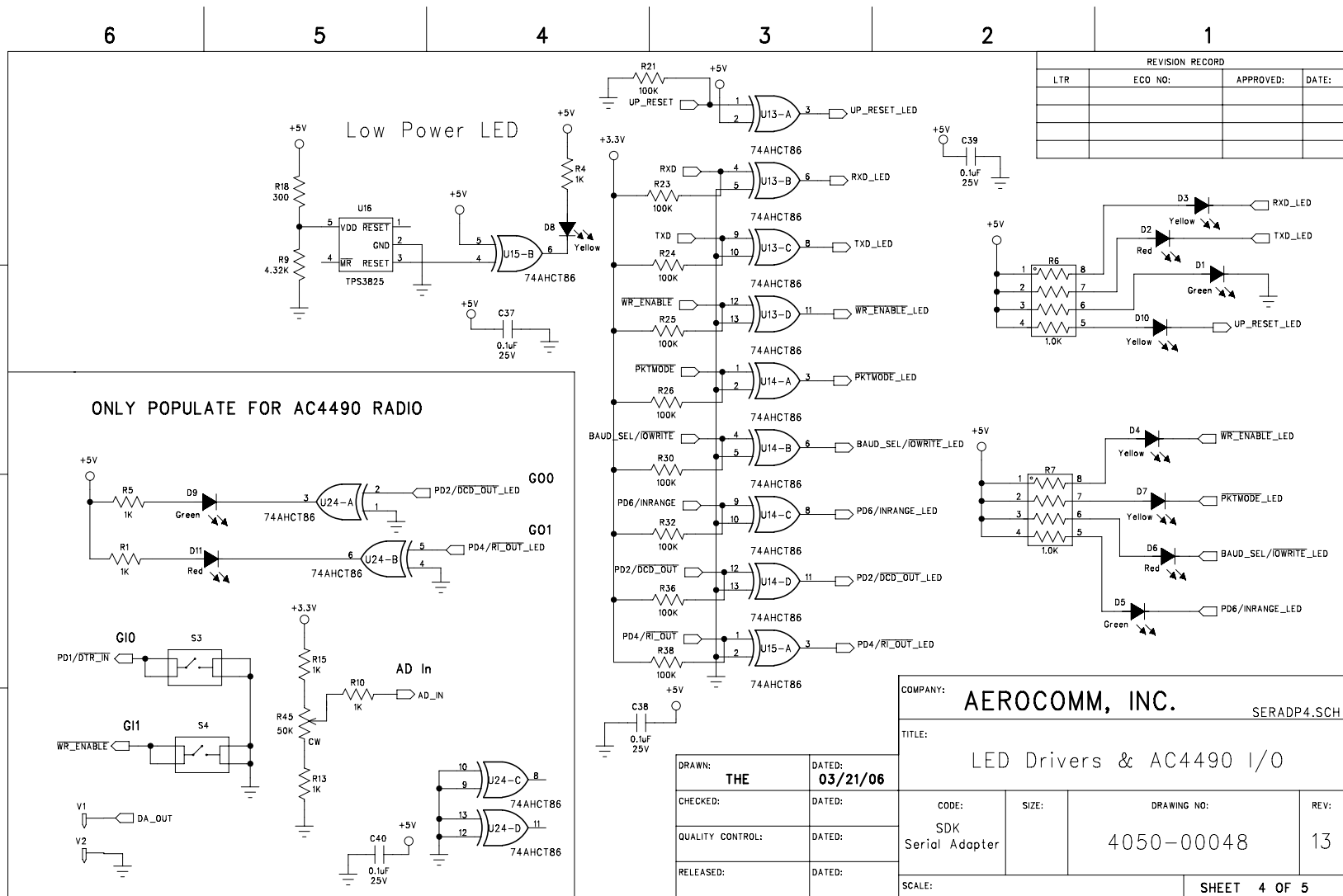
A

COMPANY: AEROCOMM, INC.				
TITLE: RS-485 Interface				
DRAWN: THE	DATED: 03/21/06	CODE: SDK	SIZE:	DRAWING NO: 4050-00048
CHECKED:	DATED:	Serial Adapter		REV: 13
QUALITY CONTROL:	DATED:			
RELEASED:	DATED:	SCALE:	SHEET 2 OF 5	



DRAWN:	THE	DATED:	3/21/06
CHECKED:		DATED:	
QUALITY CONTROL:		DATED:	
RELEASED:		DATED:	

COMPANY: AEROCOMM, INC.			
TITLE: USB & RS232 Interfaces			
CODE: SDK	SIZE: Serial Adapter	DRAWING NO: 4050-00048	REV: 13
SCALE:			SHEET 3 OF 5



REVISION RECORD			
LTR	ECO NO:	APPROVED:	DATE:

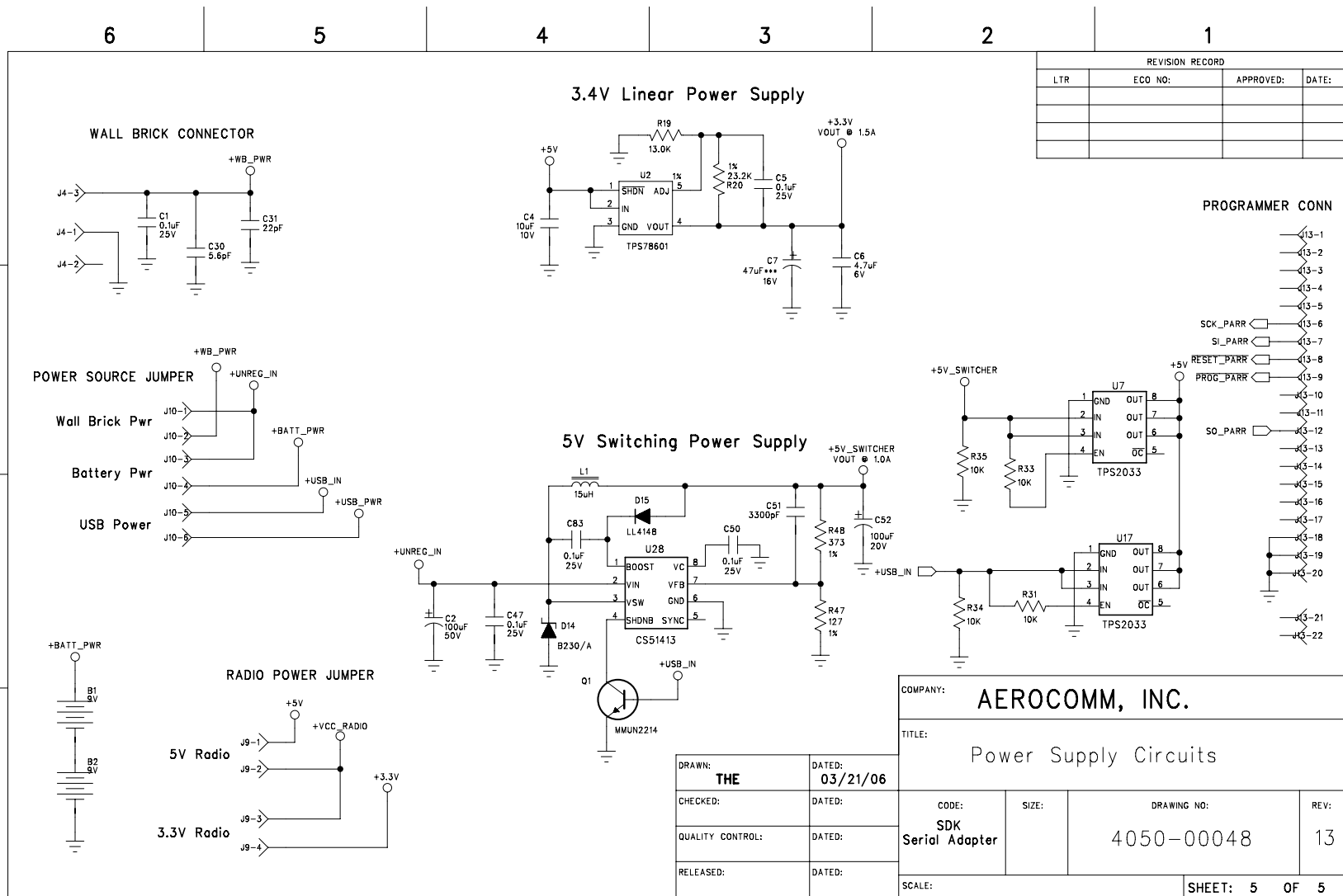
COMPANY: **AEROCOMM, INC.** SERADP4.SCH

TITLE: **LED Drivers & AC4490 I/O**

DRAWN: THE	DATED: 03/21/06	CODE: SDK	SIZE:	DRAWING NO: 4050-00048	REV: 13
CHECKED:	DATED:	Serial Adapter			
QUALITY CONTROL:	DATED:				
RELEASED:	DATED:				

SCALE: SHEET 4 OF 5

ONLY POPULATE FOR AC4490 RADIO



REVISION RECORD			
LTR	ECO NO:	APPROVED:	DATE:

COMPANY: AEROCOMM, INC.			
TITLE: Power Supply Circuits			
DRAWN: THE	DATED: 03/21/06	CODE: SDK	SIZE:
CHECKED:	DATED:	Serial Adapter	DRAWING NO: 4050-00048
QUALITY CONTROL:	DATED:		REV: 13
RELEASED:	DATED:	SCALE:	SHEET: 5 OF 5