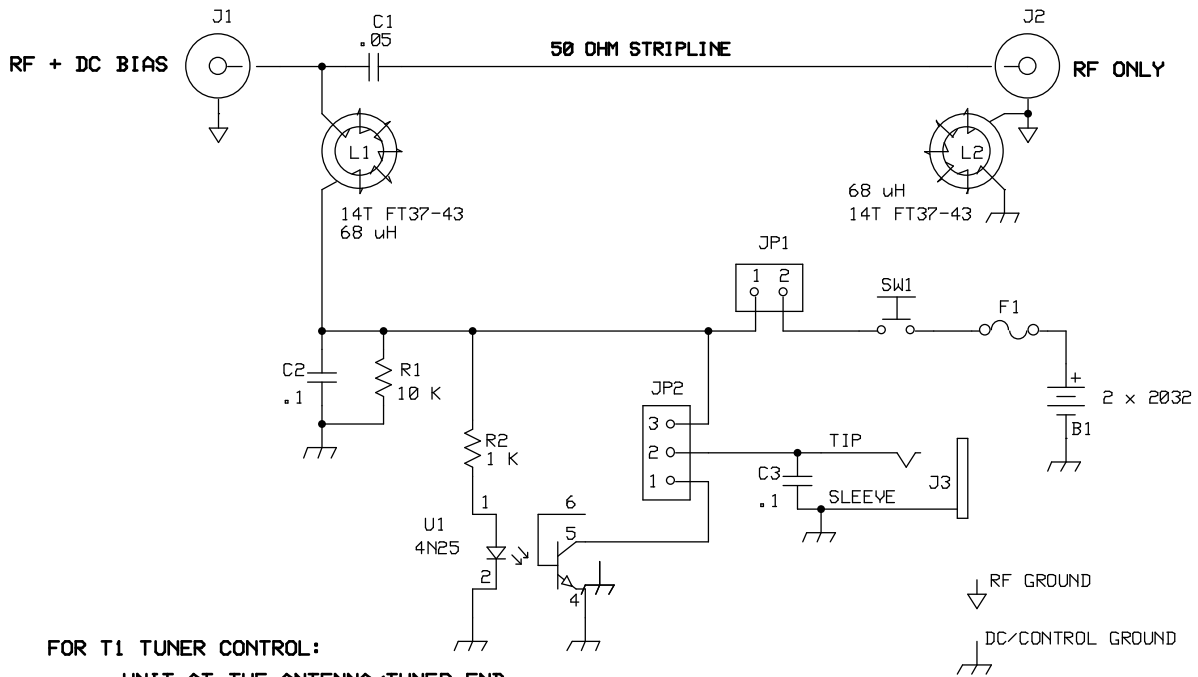


A Bias Tee to remotely operate the Elecraft T1 Auto Tuner

Jim Giammanco, N5IB

n5ib@juno.com



FOR T1 TUNER CONTROL:

UNIT AT THE ANTENNA/TUNER END
 CONNECT JP2-2 to JP2-1, AND LEAVE JP1 OPEN
 SW1, F1, and B1 are OMITTED FROM THIS UNIT

UNIT AT THE TRANSMITTER END
 CONNECT JP1-2 to JP1-1, AND LEAVE JP2 OPEN
 R2, C3, J3, and U1 are OMITTED FROM THIS UNIT

FOR USE AS A GENERIC BIAS TEE

OMIT R2, U1, SW1, F1, and B1
 CONNECT JP2-3 to JP2-2, LEAVE JP1 OPEN
 CONNECT DC SOURCE/SINK TO J3

