



# Di-Dah-Dit

Official Newsletter of the Parkersburg Radio Klub  
P. O. Box 2112, Parkersburg, WV 26101

## SEN BARRY GOLDWATER, K7UGA, SK

**F**ormer US Senator, onetime presidential candidate, and noted radio amateur Barry Goldwater, K7UGA, died May 29. He was 89. Goldwater had suffered a stroke in 1996 and had been in failing health.

A staunch conservative, Goldwater was the 1964 republican presidential nominee and served five terms in the US Senate. He also authored the book *Conscience of a Conservative*. Goldwater retired from politics in 1986. His home was in Scottsdale, Arizona.

As a Senator, Goldwater's legacy included several pieces of Amateur Radio-related legislation. In 1964, Goldwater's bill to allow reciprocal operating agreements between the US and other countries was signed into law. It was his work on the bill that prompted the Arizona Senator to renew his interest in ham radio after a long absence.

Goldwater's 1964 presidential campaign tried to tap into his ham radio connections with a "Hams for Barry" fundraising effort. He took time out of the campaign to address the ARRL National Convention in New York City, on the occasion of the League's 50th anniversary. In his remarks, Goldwater reminisced about his youthful foray into Amateur Radio as 6BPI. He was first licensed in 1921, and joined the ARRL in 1923. "You can't imagine what a relaxation ham radio is for me," the campaign-weary Goldwater told the gathering. He related how, during the GOP Convention earlier that summer, he'd made several hundred contacts from his hotel room using a borrowed Collins S-line.

The convention presented Goldwater with a certificate of appreciation for his work on behalf of the hobby (see QST, Oct 1964, p 80). Goldwater lost the 1964 election to Lyndon Johnson.

While serving as chairman of the Senate Communications subcommittee in 1981, Goldwater introduced landmark legislation proposing several changes to the Communications Act affecting amateurs. In 1982, Congress finally approved and President Reagan signed what came to be known as the Goldwater Amateur Radio legislation, enacted as Public Law 97-259. The measure established the Amateur Auxiliary and the volunteer examination programs, permitted 10-year license terms, and exempted Amateur Radio from the secrecy provisions in the Communications Act. The Goldwater bill also ended years of congressional wrangling and authorized the FCC to set RFI susceptibility standards for home electronic devices.

A year later, President Reagan signed into law a bill including a Goldwater amendment that allowed the recovery of costs in the Volunteer Examiner program (the FCC didn't authorize the plan until months later, however).

At one point in his ham radio career, Goldwater operated as K3UIG from his Senate office and as K7UGA when he was home in Arizona. He called his Arizona ham shack "bash-hal-nee," which he said was Navajo for "music from iron" or "metal that talks."

Goldwater was a life member of the ARRL. He was elected

president of the Quarter Century Wireless Association in 1971. A pilot during World War II, he held the rank of General in the Air Force Reserve and was an active member of Air Force MARS. During the Vietnam War era, Goldwater handled hundreds of thousands of phone patches. He also held a pilot's license and occasionally operated aeronautical mobile.

In 1983, Amateur Radio paid homage to Goldwater as "its governmental protector and advocate" by establishing the \$5000 ARRL Scholarship to Honor Barry Goldwater, K7UGA. In announcing the scholarship, then-ARRL Washington Area Coordinator Perry Williams, W1UED, said that Goldwater's Amateur Radio involvement had "brought joy to thousands of members of the armed services stationed overseas, and through his professional career, he has exemplified the principles of commitment and service to one's country and fellow citizens."

Then-FCC Chairman Mark Fowler said the Amateur Radio community was lucky to have Goldwater as its "elder statesman" in government and noted that the FCC often had Goldwater review ham-related proposals before it took action on them.

The Goldwater scholarship, administered by the ARRL Foundation, is awarded each year to a deserving radio amateur to encourage a spirit of achievement and dedication in the field of communication.

ARRL Executive Vice President David Sumner, K1ZZ,

said that of amateurs in the public sector, Goldwater was "without peer." Southwestern Division Director Fried Heyn, WA6WZO, called Goldwater "a super ham" who was "concerned about the future of Amateur Radio."

Goldwater's first wife, Peggy, died in 1986. The couple's two sons and two daughters and Goldwater's second wife, Susan, are among his survivors.

## LAST US ASTRONAUT ON MIR DEPARTS

**U**S astronaut Andy Thomas, KD5CHF--the last US astronaut scheduled to serve aboard the Russian Mir space station--is departing Mir after a four-month tour. Thomas will return to Earth aboard the shuttle Discovery, which docked with Mir June 4. The Discovery's commander for this mission is Charles Precourt, KC5YSQ. Also aboard is Mission Specialist Wendy Lawrence, C5KII. News reports say that Thomas had his bags packed and was so eager to get back to Earth after four months away that he had already moved aboard the shuttle. Discovery returns to Earth June 12.

American astronauts have spent nearly 1000 days in space over the past three years as part of the shuttle-Mir program. Thomas' departure comes as the Mir experienced renewed problems with balky computers the week of May 31. Those problems were resolved in time for the Discovery launch to remain on schedule. More recent difficulties with a Ku-band antenna on the shuttle blacked out NASA's TV coverage of the shuttle's ninth and last shuttle-Mir docking. The only video available came from cameras aboard Mir.

Thomas took time to chat via ham radio with Australian countryman Tony Hutchison, K5ZAI. Thomas, 46, also holds the special call sign VK5MIR. He

described the docking as "a magnificent sight" and "a perfect docking." Said Hutchison, "Andy had real excitement in his voice and even uttered a few words in Russian." Hutchison says he has handled phone patches between Thomas and his family in Australia during his Mir stay.

The shuttle and Mir are scheduled to be linked for four days. No additional ham radio activity by Thomas is planned, although it's expected that the ROMIR packet system and the SAFEX repeater system will continue to operate after his departure. During his 130-day tour on the Russian space station, Thomas managed to complete 16 Mir-school contacts, more than during all of 1997 when Mir suffered a fire, a collision with a supply rocket, and several technical failures.

Plans continue on a delayed schedule to begin assembly of the International Space Station, which will be equipped with Amateur Radio. A recent meeting of the 16 countries involved in the ISS okayed an assembly schedule that begins in November one year behind the original construction schedule as a result of Russia's money woes. Some news reports indicate that Russia could decide to de-orbit Mir as early as this fall in an effort to save money

## FCC TO TIGHTEN SCANNER RULES

**T**he FCC plans to further tighten its rules on scanning receivers to prevent reception on cellular telephone frequencies. In a rulemaking notice released June 3, ET Docket 98-76, the FCC proposed to require receiver filtering adequate to prevent cell phone reception even when the receiver is tuned to frequencies outside the cellular telephone bands, such as an image frequency. To prevent modification of legal receivers to receive cellular frequencies, the FCC wants

scanning receivers designed so that the tuning and control circuitry is "completely inaccessible," and that attempts to modify the receiver "will likely render the equipment inoperable." The proposed rules also would prohibit scanner kits.

The FCC said the proposals were in response to a petition (RM-9022) from Uniden American Corporation, which manufactures both cellular telephones and scanners.

The proposed rules would affect Amateur Radio equipment that includes scanning capability, as defined in the FCC rules. The FCC has invited comments on whether it should modify its definition of a scanning receiver to include units that can be manually tuned or which automatically switch among fewer than four frequencies.

The FCC wants to require that scanners provide at least 38 dB of rejection for cell band signals at any frequency the receiver can tune. The FCC also proposes that scanners be unable to receive a signal level of 5 mV/meter or less in the cell band at any tunable frequency.

The FCC suggested covering control and tuning circuits with epoxy or some other substance, or encasing them in a non-removable metal compartment, to make them impossible to access and modify. The Commission also plans to ban the import or manufacture of scanning receiver and converter kits capable of receiving cellular frequencies. Test equipment would be exempted from the definition of a scanning receiver, however.

The FCC also proposed modifying the rules to make it clear that modification of scanning receivers on a substantial scale to receive cellular frequencies would be the same as manufacturing, which already is illegal.  
(Continued on p. 5.)

## ARRL ASKS FCC TO DENY LMCC 70 CM GRAB

The ARRL has asked the FCC to immediately dismiss efforts by the Land Mobile Communications Council to gain primary access to 420 to 430 MHz and 440 to 450 MHz as well as other UHF allocations. The LMCC recently petitioned the FCC to reallocate the two 70-cm segments from the federal government to the Private Mobile Radio Service. Amateur Radio enjoys the use of 420 to 450 MHz on a secondary basis. In comments filed on RM-9267, the League said the LMCC proposed the switch "without establishing technical compatibility between PMRS operation and incumbent radio services in any of the bands sought."

The League said that existing federal government use of the spectrum precludes PMRS operation at 420 to 450 MHz. According to the ARRL, the petition fails to demonstrate any basis to withdraw the two band segments from federal use, nor any compatibility between PMRS operation and either federal government or amateur use. In addition, the League said, the petition fails to justify displacing established amateur operations. The League pointed out that the amateur community uses the band for public service and public safety functions and that hams have "substantial personal investment" in equipment that's in regular use there. The ARRL urged the Commission to throw out this portion of the LMCC petition "without further consideration."

The League backed up its arguments by citing documents from the National Telecommunications and Information Administration (NTIA), which

manages federal spectrum. "NTIA has made it quite clear that there is no possibility of additional sharing of the 420-450 MHz band, and the unique relationship between Federal radiolocation uses and the Amateur Service cannot be duplicated by PMRS users," the ARRL said.

The ARRL said that the LMCC petition was premature because it did not take adequate account of the benefits of spectrum reforming already initiated. The League suggested that PMRS users adopt available spectrum-efficient technologies to maximize their use of existing allocations before seeking additional spectrum at the expense of other users. The League also said that PMRS users should look into using the Commercial Mobile Radio Service (CMRS).

A copy of the League's comments is available at <http://www.arrl.org/news/bandthreat/RM-9267/arrl-cmt.html>. Selected comments on RM-9267 also have been posted to the ARRL Web site

### MORE LMCC DEVELOPMENTS: SUPPORT FROM APCO; AAA ADMONISHED

The Association of Public Safety Communications Officials-International (APCO)—an LMCC member has come down on the side of Amateur Radio to oppose reallocating 420 to 430 and 440 to 450 MHz from the federal government to the Private Mobile Radio Service (PMRS). APCO said it otherwise supports the rest of the LMCC petition, which sought additional spectrum elsewhere.

In comments filed with the FCC June 1, APCO cited "a long history of cooperation between

public safety agencies and the amateur radio community, especially in coordinating disaster relief and other emergency efforts." APCO said ham radio "often provides the most effective and reliable on-scene and wide-area communications" after an emergency or disaster. Adding users to the spectrum would make it less useful for Amateur Radio, APCO said.

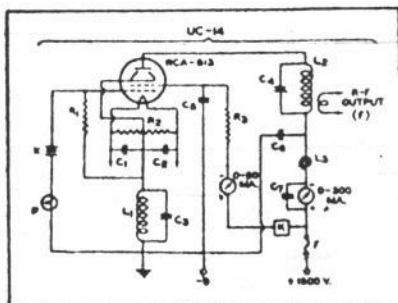
Meanwhile, in a letter to another LMCC member, the American Automobile Association (AAA), ARRL Executive Vice President David Sumner, K1ZZ, took Triple-A to task for misinforming its membership on the issue. Sumner said letters from AAA to ARRL members who wrote about the LMCC petition mischaracterized the role of the Spectrum Planning and Policy Advisory Committee (SPAC), of which Sumner is a member, and the positions of the SPAC and NTIA. The AAA's letters to members said that SPAC, cooperating with NTIA, worked up a plan that included changes to government spectrum that is shared by amateurs. Not so, Sumner told the AAA's Gary Ruark. "I can tell you that at no time during my service on the committee has SPAC made recommendations or developed a plan such as you describe," he wrote. "Neither has the NTIA endorsed a reallocation of frequencies in the 420-450 MHz range" as the AAA had said. The Secretary of Commerce appointed Sumner to SPAC in 1994.

Sumner insisted that the AAA "correct the impression that your letter has left on those to whom it has been sent." An AAA member since 1974, Sumner said he joins those who have asked the AAA to disassociate itself from the portion of the LMCC petition affecting 420 to 450 MHz. (via Newsline)

# At Last! A SINGLE TUBE 150 WATT XTAL RIG

WITH THE  
**RCA 813!**  
A Beam Power Tetrode

GIVES PHENOMENAL RESULTS  
AS A HIGH-POWERED  
CRYSTAL OSCILLATOR



- C<sub>1</sub> C<sub>2</sub> C<sub>7</sub> 0.002 mf. MICA
- C<sub>3</sub> 0.0001 mf. MICA
- C<sub>4</sub> 1.5 mmf per METER
- C<sub>5</sub> 0.001 mf, 2000 V. MICA
- C<sub>6</sub> 0.002 mf, 5000 V. MICA
- R<sub>1</sub> 30,000 OHMS, WIRE-WOUND
- R<sub>2</sub> 50 OHMS, C.T., WIRE-WOUND
- R<sub>3</sub> 50,000 OHMS, 25 WATTS
- L<sub>1</sub> 100 TURNS NO. 24 D. C. C. on 1-1/4" Diameter Form
- L<sub>2</sub> FOR FREQUENCY "f"
- L<sub>3</sub> R-F CHOKE, 250 MA. D.C.
- F 1/4 A. HIGH-VOLTAGE FUSE
- K SEE NOTE
- X CRYSTAL, FREQUENCY "f"
- P 2.0-VOLT, 60-MA. PILOT

Note: "K" is a high-voltage keying relay, insured for 2500 Volts. Do not use an ordinary key in this position under any circumstances.

*Oscillator can be plate-modulated as well as keyed!*

Here's the news you have been waiting for! A one-tube crystal-controlled 'phone or cw transmitter is a reality with the new RCA 813 beam power tetrode! Severe tests made in plate-modulated service prove that 100% modulation can be obtained with good linearity, low distortion, a plate circuit efficiency of 60% and a carrier output of 100 watts! Equally trying tests in cw telegraph service with 80 and 40

meter crystals respectively, prove that a power output of 150 watts can be obtained—and excellent keying can be accomplished in the screen circuit! In neither case is the r-f crystal current excessive.

The circuit used to achieve these remarkable results is the Reinartz Tetrode Crystal Oscillator arrangement shown in the diagram at left. The same circuit constants can be used for either cw or 'phone operation.

*Refer to December Ham Tips for further information*



The FCC took the opportunity to point out that it's still illegal to modify receivers imported or manufactured prior to the effective date of the current scanning receiver rules. Those rules became effective April 26, 1994.

The FCC has opened a 30-day comment window. The complete petition is available at the FCC Web site at <http://www.fcc.gov/oet/dockets/et98-76/>.

### Updating Callbook listings via e-mail:

The Radio Amateur Callbook now lets you update or correct your listing in the CD-ROM by e-mail. Station licensees may send changes to 03424.2142@compuserve.com or ral@injersey.com. The Callbook CD-ROM appears in May and November. The Callbook stopped publishing its hard-copy editions last year. The Callbook CD-ROM is available from ARRL. It's item 6591 and costs \$49.95. See the ARRLWeb, <http://www.arrl.org/catalog/index.html>, for ordering information.

### Hams Exempt From Coming CB Law

In other news, hams have won a total exclusion from a new local jurisdiction CB radio enforcement bill before the United States Senate. This is a measure that will give state, city and other local governments the power to enforce federal regulations over 11 meter CB radio operators and the interference that they cause.

Senate Bill 608 was introduced by Wisconsin Senator Russell Feingold. The original version had no protection for hams, so the ARRL met with Senator Feingold to hammer out new wording.

The measure, as redrafted totally exempts Amateur Radio from its provisions. It was then presented as an amendment into Senate Bill 1618. That's the

Consumer Anti-Slamming Act which was approved May 12th.

It's not yet known if or when the entire bill will come up for a vote in the House of Representatives. Feingold introduced the original version nearly two years ago. This, after receiving complaints from his constituents of massive interference and the FCC's failure to act. (Via ARRL, others)

### FCC busts Cleveland pirate

Another unlicensed broadcaster has been raided. This time it was in Cleveland Ohio at a station allegedly operated on 89.9 MHZ by a person identified as Angel Dones.

According to the FCC, the unlicensed station was based in an office building and transmitting Christian music 24 hours a day. The agency acted against Dones station after receiving reports that it was interfering with WKSU FM at nearby Kent State University. (Via FCC release)

### How Not to Use Ham Radio!

A Polish student crib his high school final exam by dictating the answers on what was believed to be a 2 meter FM simplex frequency. The student picked up the transmission on a concealed receiver that was snuck into the examination hall. Polish radio said that a local radio station picked up the signal, recorded them and broadcast excerpts of the transmission. The Radio Amateur had dictated the text of a final essay to his friend word by word. Sometimes spelling out difficult terminology.

Local educational authorities has requested a copy of the tape to help them track down the student.

Ironically, the topic of the essay that every student in Poland is required to write is titled power, honor, duty or destructive force.

(Via WOQA, Newslines)

### Deer Hunting Help

A ham out deer hunting last November may have saved the life of another ham visiting the region. John McClellan, KB8GGK, was out hunting on the last day of Deer Hunting season when he heard an urgent call over the Cherryland Amateur Radio Club repeater in the Traverse City area of Michigan.

The call was coming from Ken McClurken, KB8VG, who was traveling through the area from out of town with his wife when he developed chest pains and needed directions to the nearest hospital. McClellan directed the couple to a local hospital. Another ham, Jane Newton, KC8HJQ heard the call and dialed the local 911 emergency line. KB8VG was released from the hospital a week later and returned home to Grandville, Michigan to recuperate. (Via ARRL)

### New RTTY Journal

Bill Henry, K9GWT, says that he is bringing back the popular RTTY Journal as the New RTTY Journal. Henry, the president of HAL Communications Corp. purchased the assets of the failed publication from Dale Sinner, W6IWO, who published the magazine from 1986 until 1994.

Henry says he'll try for a leaner magazine and expressed hopes to begin regular printing this summer. The introductory price for an annual subscription will be \$12.00 in the U.S., Canada, and Mexico and \$17 elsewhere.

(Via news release)

## Cellfone Armed

Owning a cellular telephone can get you arrested. Just as the trucker recently found out when he was taken into custody in Los Angeles because another driver thought his telephone was a gun.

According to news reports, the incident took place in late March. California Highway Patrol officers arrested the unnamed truck driver early in the morning on the southbound Interstate 405 freeway at Imperial Highway. This, after the driver of a sports utility vehicle reported the trucker had pointed a weapon at him.

Police say that the big-rig driver pulled out a cellular phone to make a call. The other motorist thought it was a gun and he called for help on his cell phone. The truck driver was initially charged with allegedly brandishing a firearm at another motorist. He was released after investigators determined the object was a cellular phone, not a gun. (Via published and broadcast news reports)

## Minutes May 11, 1998

The Parkersburg Amateur Radio Klub met at the Bonanza Restaurant. The meeting was called to order at 7 pm by the president, Paul KB8QPY. Introductions were made by 28 members and guests. Jerry KB8PZR won the 50/50 drawing of \$10.00.

The minutes of the last meeting were read and approved. The treasurer's report was given. Receipts totaled \$339 and disbursements were \$50.71 with an ending balance of \$2053.22.

### OLD BUSINESS:

At the two test sessions, the two attending the new ham classes were successful in attaining Technician licenses and also one other passed the same tests. One from the upgrade class was successful in upgrading to Advance.

There was no report from the club inventory committee. Jerry KA8NJW reported, the net control roster is still not ready for printing.

Carl K8OWL further reported on the July youth work group. There will be about 400

here, arriving on Sunday July 12. Their work hours will be 8 to 3 Monday, Tuesday, Thursday and Friday, and Wednesday 8 to 12.

Field day chairperson will be Curt K8UC. Food committee chair will be Georgia and Irene N8KYP. There will be a covered dish dinner on Saturday evening. Sandwiches will be furnished at noon Saturday for those working on the setup. Curt K8UC has the barrel of picnic supplies. John N8NBL will furnish the chairs, Blaine WA8IOE or John N8NBL will furnish the tables.

### NEW BUSINESS:

Stafford Merkle KC8AYH applied for membership. Bill KB8ZSN moved and John 8WEJ seconded that he be accepted. Motion passed.

Cecil Morgan WA8DAV applied for membership. Jep K8BOT moved and Larry KF8NW seconded that he be accepted. Motion passed.

John W8WEJ moved and John WD8LKT seconded that we adjourn at 7:55 pm.

Ray Bodie N8TWV, secretary

**Parkersburg Amateur Radio Klub**  
**P. O. Box 2112**  
**Parkersburg, WV 26101**



PARK ROSTER -- 6/98

Call	First	Last	Add 1	City	St.	Zip	Phone
	Ed	Ball	Rt. 4 Box 83	Parkersburg	WV	26101	863-5564
	Joe	Caltrider	P O Box 85	Williamstown	WV	26187	375-6329
	Kenneth	McGill	Rt. 2 Box 137	Walker	WV	26180	679-3195
	Georgia	Milhoan	1733 Gihon Rd.	Parkersburg	WV	26101	428-1225
	Gretchen	Richards	Rt 3 Box 54	Mineral Wells	WV	26150	489-1721
	Roy	Shafer	901 25th. St.	Vienna	WV	26105	295-7360
	Brian	Shafer	5302 3rd. Ave	Vienna	WV	26105	295-4410
	Donald	Wagoner	1508 36th. St	Parkersburg	WV	26104	485-0567
	Jarrad	Wigal	908 Pine St.	Parkersburg	WV	26101	485-7161
KI8AK	Gary	Grimes	PO Box 644	New Matamoris	Oh	45767	
KA8AKB	James E.	White	Rt. 5 Box 241	Marietta	OH	45750	
KE4AAU	Bill	Tice	1603 38th. Ave. E.	Bradenton	FL	34208	
WA8AUX	Don	Kesterson	1315 41st St.	Parkersburg	WV	26101	428-1379
WR3A	Fred W.	Myers	614 20th. St.	Vienna	WV	26105	
KC8AYH	Stafford	Merkle	P O Box 678	New Matamoras	OH	45767	865-3403
KD8BC	Sam	Maze	409 59th. Street	Vienna	WV	26105	422-7202
KC8BIS	John	Farley	507 Cherry Ave.	Williamstown	WV	26187	375-7678
WA8BMA	Leo	Pabst	1911 Spring St.	Parkersburg	WV	26101	422-3464
KB8BOA	Mary	Britton	4704 10th Ave.	Vienna	WV	26105	295-8039
K8BOT	Jim	Palmer	1905 Parkwood Dr.	Parkersburg	WV	26101	422-7363
WD8BTI	Michael	Richards	RT 3 BOX 54	Mineral Wells	WV	26150	489-1721
K8BXW	Carroll W.	Ayers	3406 Broad St.	Parkersburg	WV	26101	424-0789
KB8CCO	Bruce	Auville	Rt. 1 Box 22	Washington	WV	26181	863-8283
W8CNF	Homer	Nowery	811 Hill St.	Parkersburg	WV	26101	428-1109
WA8CRW	Wayne V.	Britton	4704 10th Ave.	Vienna	WV	26105	295-8039
WD8CYV	Dave	Thompson	1412 15th Ave.	Parkersburg	WV	26101	424-6275
WA8DAV	Cecil	Morgan	Brentwood Add	Parkersburg	WV	26101	464-5536
KC8DJI	Laura	Deems	P O Box 3393	Parkersburg	WV	26103	428-2259
KC8DRS	Peggy	Phillips	Rt 1 Box 26	Washington	WV	26181	
N8DZS	Karl L.	Webb	107 Stone Rd.	Belpre	OH	45714	423-6862
KB8EFB	Robert	Lyons	704 47th Street	Vienna	WV	26105	295-4114
KB8EHT	Tim	Connolly	2400 1st Ave.	Vienna	WV	26105	295-7220
KB8EKO	Eloise Y.	Webb	107 Stone Rd.	Belpre	OH	45714	423-6862
KB8EOX	Ben	Auville	Rt. 1 Box 22	Washington	WV	26181	863-8283
KA8FUA	Libby	Auville	Rt. 1 Box 22	Washington	WV	26181	863-8283
W8GWR	Archie M.	Carpenter	2306 44th Street	Parkersburg	WV	26101	428-9704
KB8HCO	Kevyn	Maurath	Rt. 1 Box 124	Walker	WV	26180	
KC8HCQ	Wm. Bill	Woody	1915 35 th St.	Parkersburg	WV		422-0543
N3HEJ	Louis	Bogdan	5503 12 th Ave.	Vienna	WV	26105	295-9437
N8HEO	Jerry	Hamilton	105 Sheridan St.	Marietta	OH	45750	373-3499
KC8HGH	Estelle	Wharton	1722 20th St.	Parkersburg	WV	26101	428-3396
N8HOC	Joe	Nagel	Rt. 1 Box 101	Lower Salem	OH	45745	585-2601
WB8IHT	George	O'Grady	105 Michigan Ave.	Marietta	OH	45750	374-5289
N8IIM	Lynn	Palmer	1905 Parkwood Dr.	Parkersburg	WV	26101	422-7363
W2INO	Gene P.	Gildow	RFD #1 Box 62	Macksburg	OH	45746	
WA8IOE	Blaine	Auville	Rt. 1 Box 22	Washington	WV	26181	863-8283
KC8IOG	William R.	Sarvis	306 Woodland	Parkersburg	WV	26101	
WD8JCO	Larry	Carpenter	3200 7th Ave	Parkersburg	WV	26101	
KB8JUQ	Louise	Long	100 Canterbury Dr.	Parkersburg	WV	26101	428-6932
KB8JWF	Tim	Smith	#10 Lake Washington	Washington	WV	26181	863-9569
KB8JZE	Susan	Dale	Rt 3 Box 157	Washington	WV	26181	863-0073
WA8KAN	David	White	PO Box 4164	Parkersburg	WV	26104	422-5273
KC8KAQ	Joe	Bolien	4405 Uhl St.	Parkersburg	WV	26101	422-5056
N8KYP	Irene	Fouse	Rt. 2 Box 10	Washington	WV	26181	863-3597
N8LDU	Linda L.	Thompson	512 Neal St.	Parkersburg	WV	26101	424-6275

Call	First	Last	Add 1	City	St.	Zip	Phone
WD8LKT	John	Milhoan	1733 Gihon Rd.	Parkersburg	WV	26101	428-1225
KB8LPW	Jason	Licht	6272 N Coolville Ridge	Athens	Oh	45701	594-4367
N8LVX	Glenn D.	Easterling	Rt. 2, 886 SR 7	Coolville	OH	45723	667-6778
KB8MDN	Rory	Hughes	1208 31st Street	Vienna	WV	26105	295-9537
N8MEV	Joe	Thomas	Rt 9 Box 227	Parkersburg	WV	26101	485-0942
WD8MIO	Connie	Hamilton	105 Sheridan St.	Marietta	OH	45750	373-3499
N8MOW	Jane	McGuffey	1514 30th St.	Parkersburg	WV	26101	428-2873
N8NBL	John	McGuffey	1514 30th St.	Parkersburg	WV	26105	428-2873
KA8NJW	Jerrold	Wharton	1722 20th St.	Parkersburg	WV	26101	428-3395
KB8NRA	Edward E.	Bonnett	Route 9 Box 139A	Parkersburg	WV	26101	275-3662
KB8NSA	Karen M.	West	Rt. 5 Box 14	Parkersburg	WV	26101	428-8569
KF8NW	Larry	Dale	Rt. 3, Box 157	Washington	WV	26181	863-0073
K8OWL	Carl	Long	100 Canterbury Dr.	Parkersburg	WV	26101	428-6932
KB8PZR	Gerald	Yancey	Rt 1 Box 351	Washington	WV	26181	863-5850
WA8QFR	Bob	Smith	#7 Edgewood Park Dr.	Parkersburg	WV	26104	428-4627
KB8QGA	Mark	Grubb	Box 336	Beverly	Oh	45715	984-2706
KB8QPY	Paul	Anderson	2509 Cypress St.	Parkersburg	WV	26101	422-3424
N8RMY	Cslvin	Nay	3616 6Th Ave.	Parkersburg	WV	26101	485-0328
W8RWS	Ernest	Evans	Rt. 1 Box 261	Little Hocking	OH	45742	
KB8SRK	Tim	Grubb	Box 336	Beverly	Oh	45715	984-2706
KB8VRT	Albert Wayr	Thomas	511 Masonic Park Rd	Devola	Oh		373-1561
KB8TDK	A.E.Tiny	Phillips	Rt1 Box 26	Washington	WV	26181	863-6010
N8TGI	Larry L.	Deems, Sr.	PO Box 3393	Parkersburg	WV	26103	428-2259
N8TWV	Ray	Bodie	107 Robin Lane	Washington	WV	26181	863-3275
K8UC	Curt	Fouse	Rt. 2 Box 10	Washington	WV	26181	863-3597
KB8UEQ	Roger	Kingery	118 Maple Dr	Williamstown	WV	26187	464-5079
N8UFR	Steve	Palmer	97 Keith St.	Parkersburg	WV	26104	428-1403
KB8UGB	David	Paskawye	421 3rd. St.	Marietta	OH	45750	376-9911
W8UI	David L.	Mays	Route 1 Box 13-a	St. Marys	WV	26170	684-3464
AA8UL	Lydia	White	PO Box 4164	Parkersburg	WV	26104	422-5273
K8VAH	George	Bonnett	710 56th St.	Vienna	WV	26105	295-6668
W8WEJ	John	Dobson	603 34th St.	Vienna	WV	26105	295-6436
KA8WFS	Darrell	Fouse	Rt. 2 Box 10	Washington	WV	26181	863-3597
KB8WHK	Kenny	Sims	2206 Ames Ave	Belpre	Oh	45714	423-6583
KB8WHL	Randall	Sims	2206 Ames Ave.	Belpre	Oh	45714	423-6583
N8WQO	Jeff	Newton	1726 Forest Hill Dr.	Vienna	WV	26105	295-7390
KG8WR	Chuck W	Duncan	3100 Liberty St.	Parkersburg	WV	26104	428-8464
KB8XX	Ed	Slack	511 21st St.	Vienna	WV	26105	295-6945
KB8YPB	Emily	Bodie	107 Robin Lane	Washington	WV	26181	863-3275
KB8YPC	Linda	Daugherty	Rt 2 Box 186	Mineral Wells	WV	26150	489-2789
KB8YQL	Ron	Haddox	Rt 2 Box 19A	Harrisville	WV	26362	643-4724
WB8YSM	Dan	Graham	Box 1064	Parkersburg	WV	26102	464-4003
N8YYS	Roy S	Mauli	RT 2 Box 151	Williamstown	WV	26187	375-2212
KR8Z	Jack	Wigal	Rt. 1 Box 415	Washington	WV	26181	863-6024
KA8ZLB	Debbie	Richards	RT 3 BOX 54	Mineral Wells	WV	26150	489-1721
WB8ZMX	Ray	Lamp	Rt. 2 Box 501	St. Marys	WV	26170	684-2490
KB8ZSI	Leslie	Mauli	151 Old River Rd	Williamstown	WV	26187	375-2212
KB8ZSN	Wm. R.	Thomas	37 Mustang Acres	Parkersburg	WV	26101	428-8725
KB8ZSY	Michael	Goosman	18 Maple Drive	Mineral Wells	WV	26150	489-2107