

JVC
PROFESSIONAL

1/3" CCD COLOUR VIDEO CAMERA

TK-C700E

(AC 24V/DC12V)

High-Sensitivity, Full-Featured CCTV
Surveillance Camera with Digital Signal
Processor for Use in All Light Conditions



Shown with optional lens

- Integrated Digital Signal Processor for Low-light Operation (0.75 lux)
- 1/3-inch IT CCD with 290,000 Effective Pixels
- 330 Lines of Horizontal Resolution
- Automatic Gain Control (AGC)
- Auto White Balance with Manual Adjustment
- S/N Ratio of 50 dB (AGC Off)
- Back-light Compensation
- Automatic Electronic Shutter

Full-featured CCTV Surveillance Capability in a Compact and Cost-effective Package

JVC's TK-C700E CCTV Surveillance Camera packs the powerful features — including a Digital Signal Processor for low-light applications — you would expect from a high-end camera, yet delivers them in a package that offers outstanding value and reliability.

■ 1/3-Inch CCD with 290,000 Effective Pixels

JVC's TK-C700E comes with a 1/3-inch Interline Transfer (IT) CCD for accurate colour reproduction and crisp pictures with no image lag or distortion.

■ Detail Corrections — Horizontal and Vertical (2H)

The TK-C700E provides wide-ranging detail correction — horizontal and vertical, dual-edged with 2H line memory.

■ Built-in Digital Signal Processor (DSP)

JVC's innovative Digital Signal Processor (DSP) automatically adjusts camera parameters to ensure sharp, natural pictures (330 lines of horizontal resolution) in near total darkness.

■ Automatic Gain Control (AGC)

For pictures at just 0.75 lux, Automatic Gain Control (AGC) increases the camera's sensitivity as ambient light level falls.

■ Auto White-Balance with Manual Adjustment

Auto White-Balance is adjusted either automatically or manually over a colour temperature range of 2,900 to 8,000K, assuring flexible operation in a wide range of environments.

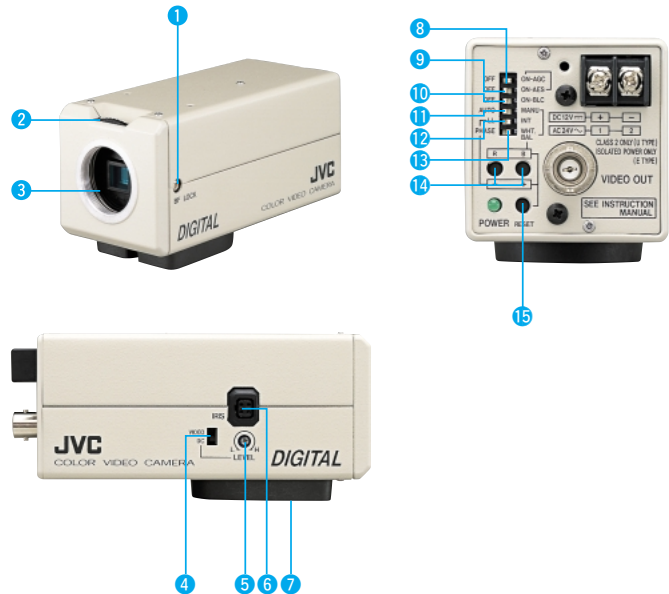
■ S/N Ratio of 50 dB (AGC Off)

The TK-C700E features a signal-to-noise ratio of 50 dB for sharp pictures with very precise colour reproduction.

Specifications

Signal system	Based on PAL standard
Pickup device	1/3" Interline-Transfer CCD (with complementary colour filter)
Number of effective pixels	290,000 (500 H x 582 V)
Video process circuit	Built-in DSP (9 bits)
Pickup area	4.8 (H) x 3.6 (V) mm
Sync system	Internal, Line Lock (50 Hz regions only)
Scanning system	2:1 interlaced, 625 lines
Scanning frequency	(H) 15.625 kHz (V) 50.0 Hz
Video output	Composite video signal: 1.0 V(p-p), 75 ohms
Video S/N	50 dB (AGC "OFF")
Horizontal resolution	330 TV lines
Minimum required illumination	0.75 lux (f1.2 AGC ON) — Video level 25% 1.5 lux (f1.2 AGC ON) — Video level 50%
Iris control	Video iris/DC iris
White balance	ATW/Manual
BLC	ON and OFF
AES	ON and OFF
Lens mount	C/CS mount (Possible to be attached to the camera with the lens mount change function.)
Power requirement	AC 24 V (50/60Hz), DC 12 V
Power consumption	290 mA
Operating temperature range	-10°C to 50°C (14°F to 122°F) Recommended temperature range: 0°C to 40°C (32°F to 104°F)
Weight	360 g

Controls, connectors and indicators

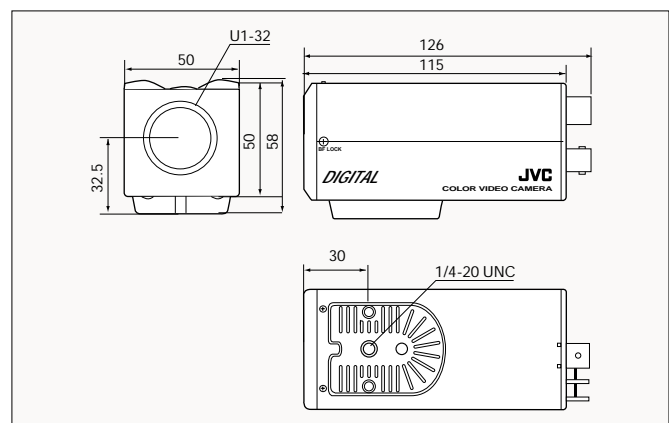


- 1 BACK FOCUS locking screw
- 2 BACK FOCUS adjustment and C/CS mount selector ring
- 3 Lens mount (C or CS)
- 4 VIDEO/DC IRIS switch
- 5 LEVEL volume
- 6 IRIS connector
- 7 Camera mounting bracket
- 8 AUTOMATIC GAIN CONTROL switch

- 9 AUTOMATIC ELECTRONIC SHUTTER switch
- 10 BACK LIGHT COMPENSATION switch
- 11 WHITE BALANCE select switch
- 12 LL/INT select switch
- 13 PHASE/W.B. select switch
- 14 PHASE/W.B. adjustment button
- 15 RESET button

Dimensions

Unit: mm



Design and specifications subject to change without notice.

JVC

VICTOR COMPANY OF JAPAN, LIMITED

DISTRIBUTED BY



Certificate No. EC96J1049



ISO9001/No. FM26586

■ The Hachioji Plant of Victor Company of Japan, Ltd., has received ISO14001 Certification under the global standard for environmental management.

This catalogue is printed on recycled paper.

Printed in Japan
KCN-1780
CETKC700E