

The **DT-F (Digital Transmission F)** is a new screw-on 75 Ω coaxial connector series compatible with the existing F-type connectors which comply with the IEC 169-24 standard.

Designed according to this standard, **DT-F** series offers high reliability and enhanced performance up to 3 GHz, for digital applications like CATV, Internet, satellite, instrumentation and test equipment.

Most **DT-F** connectors feature a **single piece and ferrule less design**, with integrated center contact **easy and low cost installation**.

ELECTRICAL CHARACTERISTICS

Impedance		75 Ω
Frequency range		DC to 3 GHz
V.S.W.R. max (1.25 max at 3 GHz)		1.02 + 0.1 F (F in GHz)
Max insertion loss (dB)		0.085 √F (F in GHz)
Insulation resistance (MΩ)		5000
Operating voltage (VRMS)		500
Dielectric withstanding voltage (VRMS)		1500

ENVIRONMENTAL CHARACTERISTICS

Temperature range		- 40°C to + 80°C
-------------------	--	------------------

MECHANICAL CHARACTERISTICS

Life		500 matings
Cable retention force	∅ 2.6 S ∅ 6 S + 7 S ∅ 10 S	40 N 80 N 100 N

MATERIALS

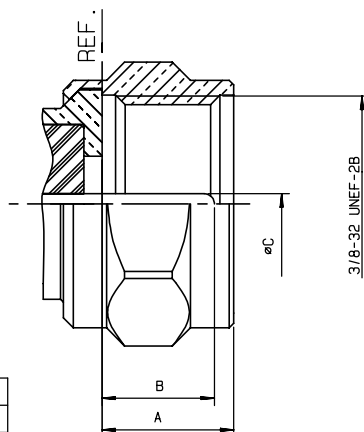
Body		Brass
Center contact	Male Female	Brass Beryllium copper
Insulator		Polypropylene

PLATING

Bodies		BBR (non magnetic alloy)
Center contact	Male Female	Silver Gold

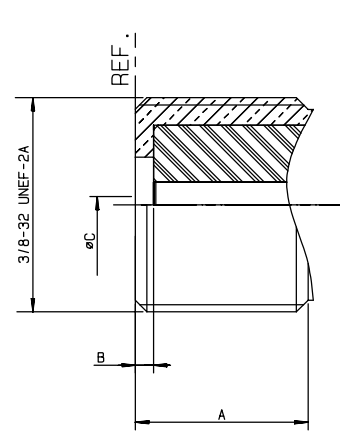
INTERFACE

PLUG male contact



REF	MINI	MAXI
A		5.95
B	4.95	
øC	0.88	0.92

JACK female contact



REF	MINI	MAXI
A	8.4	
B		0.9
φC	Accepts pin diameter 0.8 to 1.2	

Standard packaging : 100 pieces. For unit packaging, add W after the part number.

All dimensions are given in mm.