

Icom IC-7300 Rig control for MMSSTV

USA Frequencies

You can either make whatever changes to these settings after copying and pasting the [RADIO] and [RadioMenu] sections over the originals in the Mmsstv.ini file or just copy/paste and change the few settings needing a tweak from within the program itself.

IMPORTANT: Do not modify the file while MMSSTV is running, it will overwrite it when you exit, so exit first, modify, then re-start MMSSTV.

This section is near the middle of the Mmsstv.ini file:

(Note – Change PortName and BaudRate to suit your system!,

also Cmdxx=148 is the CI-V address, 148=94h – the default for IC-7300, check in your rig under MENU>SET>Connectors>CI-V>CI-V Address. If it has been changed from 94h, convert the hexadecimal number to decimal and change Cmdxx to suit). You can find a [Hexadecimal to Decimal Converter](https://www.rapidtables.com/convert/number/hex-to-decimal.html) here:

<https://www.rapidtables.com/convert/number/hex-to-decimal.html>

STEP 1: EDIT THE [RADIO] SECTION OF THE MMSSTV.INI FILE

[RADIO]

PortName=COM13

BaudRate=115200

BitLen=1

Stop=0

Parity=0

flwXON=0

flwCTS=0

usePTT=0

ByteWait=0

Cmdxx=148

CmdInit=

CmdRx=\\$FEFExxE01C0000FD
CmdTx=\\$FEFExxE01C0001FD\w10
FileGNR=
OpenGNR=0
PollType=3
PollInterval=5

STEP 2: EDIT THE [RADIOMENU] SECTION OF THE MMSSTV.INI FILE

Note: in USA on the 30-, 17-, and 12-meter bands, SSTV must be a narrow version as well as selecting a narrow mode in MMSSTV.

You may want to set the Filter for 10.132 Mhz, 18.117 Mhz, and 24.927 Mhz to '03', the narrowest by default, and manually adjust this filter to suit. USE MP73-N video on these bands.

[RadioMenu]

Menus=14

Cap1=3.845 MHz LSB - USA/Canada Call

Cmd1=\\$FEFExxE00500508403FD\\$FEFExxE02600000101FD

Cap2=3.857 MHz LSB - USA/Canada Call

Cmd2=\\$FEFExxE00500708503FD\\$FEFExxE02600000101FD

Cap3=7.171 MHz LSB - USA/Canada Call (Extra Class)

Cmd3=\\$FEFExxE00500101707FD\\$FEFExxE02600000101FD

Cap4=7.180 MHz LSB - USA/Canada Call (Proposed General Class)

Cmd4=\\$FEFExxE00500001807FD\\$FEFExxE02600000101FD

Cap5=7.228 MHz LSB - USA/Canada Nets

Cmd5=\\$FEFExxE00500802207FD\\$FEFExxE02600000101FD

Cap6=10.132 MHz USB - USA Narrow Call
Cmd6=\\\$FEFExxE00500201310FD\\\$FEFExxE02600010103FD
Cap7=14.230 MHz USB - Intl. Call
Cmd7=\\\$FEFExxE00500002314FD\\\$FEFExxE02600010101FD
Cap8=18.117 MHz USB - USA Narrow Call
Cmd8=\\\$FEFExxE00500701118FD\\\$FEFExxE02600010103FD
Cap9=21.340 MHz USB - Intl. Call
Cmd9=\\\$FEFExxE00500003421FD\\\$FEFExxE02600010101FD
Cap10=24.927 MHz USB - USA Narrow Call
Cmd10=\\\$FEFExxE00500709224FD\\\$FEFExxE02600010103FD
Cap11=28.680 MHz USB - USA/Canada Call
Cmd11=\\\$FEFExxE00500006828FD\\\$FEFExxE02600010101FD
Cap12=28.690 MHz USB - USA/Canada SSTV Repeaters
Cmd12=\\\$FEFExxE00500006928FD\\\$FEFExxE02600010101FD
Cap13=28.700 MHz USB - USA/Canada SSTV Repeaters
Cmd13=\\\$FEFExxE00500007028FD\\\$FEFExxE02600010101FD
Cap14=50.580 MHz USB - USA/Canada SSTV Repeaters
Cmd14=\\\$FEFExxE00500006850FD\\\$FEFExxE02600050101FD

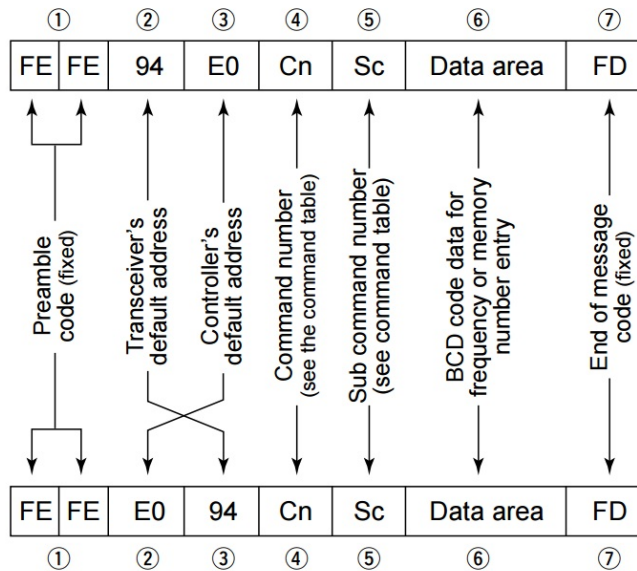
All that's left is to set sound card to USB Audio Codec (*the rigs built in sound card*), do this inside the program.

The [RADIOMENU] section is at the bottom of the Mmsstv.ini file:

Note: This is set up for United States on 14.230 Mhz. If your country has different standard frequencies, change the highlighted format to display your desired frequency:

\\$FEFExxE00500002314FD\\$FEFExxE02600010101FD

Controller to IC-7300



IC-7300 to controller

This is actually **2 separate command sets**.

The first command set controls the frequency:

\\$FEFExxE00500002314FD

BREAKDOWN:

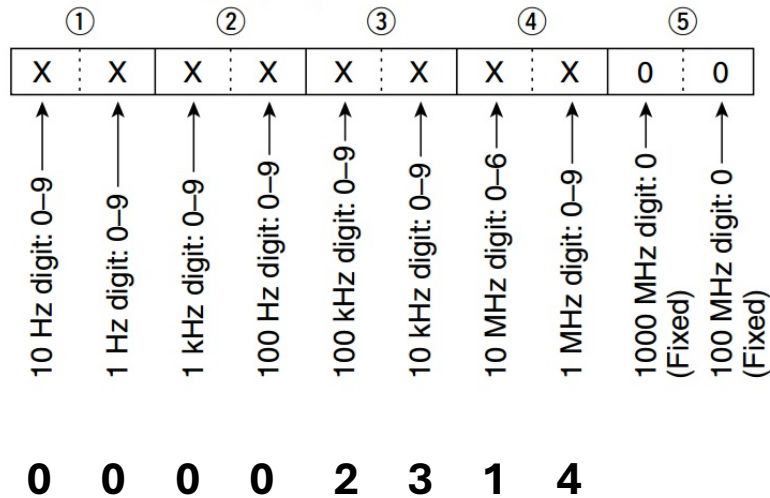
\\$FEFE / xx / E0 / 05 / 00002314 / FD

START SEQUENCE / RADIO ADDR. / COMPUTER / SET FREQ / FREQUENCY / END SEQUENCE

00002314 = 14.230.000 MHz

• **Operating frequency**

Command: 00, 03, 05, 1C 03



\\$FEFExxE0 – start sequence (xx is changed by MMSSTV to the number in [RADIO]> Cmdxx,

E0 - refers to your computer

05 – set frequency

00002314 = 14.230.000 MHz

FD – end sequence.

The second command controls the Modes and Filters:

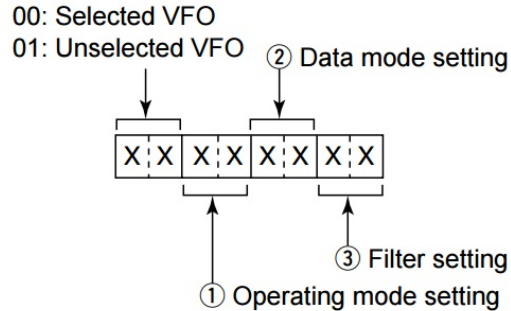
\\$FEFExxE02600010101**FD**

010101 = USB / DATA MODE ON / FILTER 1

Breakdown:

\ \$ F E F E / x x / E 0 / 2 6 / 0 0 / 0 1 / 0 1 / 0 1

START SEQUENCE / RADIO ADDR. / COMPUTER / SET VFO / CURRENT VFO / USB / Data Mode / Filter 1



① Operating mode		② Data mode setting	③ Filter setting
00: LSB	05: FM	00: Data mode OFF	01: FIL1
01: USB	07: CW-R	01: Data mode ON	02: FIL2
02: AM	08: RTTY-R		03: FIL3
03: CW			
04: RTTY			

\ \$ F E F E x x E 0 – as above, starts sequence and addresses radio

26 – set VFO

00 – Set CURRENT VFO

01 – Set to Upper Sideband (change to 00 for LSB)

01 – DATA mode (set to 00 for normal SSB – non-DATA)

01 – Filter setting 1 (The widest filter. Set to 03 for Narrow on 30, 17, and 12 meters)