

---

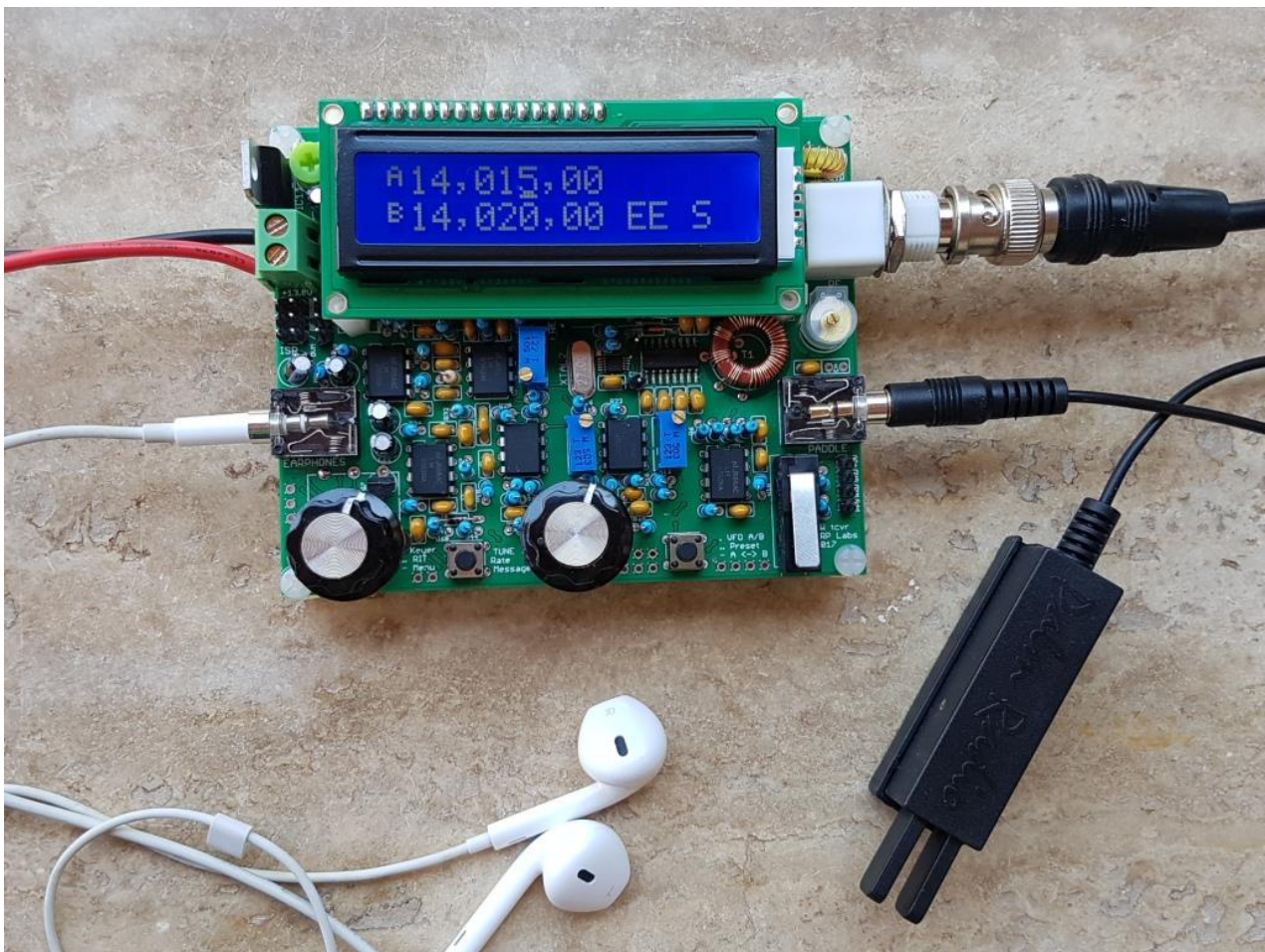
**QCX 5W CW Transceiver kit assembly instructions**

---

**PCB Rev 3**

The “QCX”: a single band, high performance 5W CW Transceiver with built-in alignment and test equipment, iambic keyer, WSPR beacon mode, and more...

Designed and produced by QRP Labs, 2017



(pictured with Palm Radio pico paddle <http://palm-radio.de/english/eppaddle.html>)

# Contents

1. Introduction .....	5
2. Parts list.....	7
3. Assembly .....	8
3.1 Inventory parts.....	14
3.2 Install IC2 socket .....	15
3.3 Install DIP integrated circuits IC3, IC5-10.....	16
3.4 Install all 100nF (0.1uF, “104”) capacitors .....	17
3.5 Install all 470nF, “474” capacitors .....	18
3.6 Install all 1nF, “102” capacitors.....	18
3.7 Install all 10nF, “103” capacitors .....	19
3.8 Install 47nF, “473” capacitors .....	19
3.9 Install 39nF, “393” capacitor.....	20
3.10 Install 2.2nF, “222” capacitors .....	20
3.11 Install 33nF, “333” and 3.3nF, “332” capacitors .....	21
3.12 Install capacitors C25 and C26 from the Low Pass Filter kit .....	22
3.13 Install capacitors C27 and C28 from the Low Pass Filter kit .....	23
3.14 Install capacitor C30.....	24
3.15 Install capacitors C5 and C8 .....	25
3.16 Install 1uF, “105” capacitor.....	26
3.17 Install 1N4148 diodes.....	27
3.18 Install 1N5819 diode .....	28
3.19 Install 20MHz crystal XTAL1 .....	29
3.20 Install 27MHz crystal XTAL2 .....	29
3.21 Install all 10K resistors .....	30
3.22 Install all 1K resistors .....	31
3.23 Install all 3.3K resistors .....	31
3.24 Install all 100-ohm resistors.....	32
3.25 Install 120K resistors .....	32
3.26 Install 33K resistors .....	33
3.27 Install 47K resistors .....	33
3.28 Install 36K resistors .....	34
3.29 Install 270-ohm resistor R48 .....	34
3.30 Install 470-ohm resistor R41 .....	35
3.31 Install 3.9K resistor R61.....	35
3.32 Install 4.3K resistor R18.....	36
3.33 Install 5.1K resistor R11.....	36
3.34 Install 7.5K resistor R21.....	37
3.35 Install 750K resistor R35.....	37
3.36 Install 22K trimmer potentiometer R47.....	38
3.37 Install 500-ohm multi-turn trimmer potentiometer .....	38
3.38 Install 50K multi-turn trimmer potentiometers.....	39
3.39 Install two 100uH inductors .....	39
3.40 Install 10uF capacitors .....	40
3.41 Install 470uF capacitor C47 .....	41
3.42 Install 30pF trimmer capacitor C1.....	42
3.43 Install MPS751 transistor Q6 (MPS2907 in first kit batch).....	42
3.44 Install all BS170 transistors .....	43
3.45 Install 2x3-pin in-circuit programming header .....	43

3.46	Install 4-pin GPS header .....	44
3.47	Install 3-pin DVM/RF detector header .....	44
3.48	Install 1-pin test points .....	45
3.49	Install power connector .....	45
3.50	Install 7805 voltage regulator IC11 .....	46
3.51	Install pin headers for the LCD module.....	47
3.52	Wind and install toroid L4 .....	48
3.53	Wind and install toroid L2 .....	50
3.54	Wind and install toroids L1 and L3.....	51
3.55	Wind and install transformer T1 .....	52
3.56	Install RF output BNC connector .....	58
3.57	Install 3.5mm stereo connectors .....	59
3.58	Install buttons S2 and S3 (left and right buttons).....	59
3.59	Install rotary encoder.....	60
3.60	Install microswitch .....	60
3.61	Install gain control potentiometer R36.....	61
3.62	Install four 12mm hex spacers at the LCD corners .....	62
3.63	Install four 12mm hex spacers at the PCB corners .....	62
3.64	Install knobs .....	63
3.65	Install 16-pin female connector on LCD module.....	63
3.66	Install microcontroller.....	63
3.67	Install LCD and the remaining 4 screws to bolt LCD module .....	63
3.68	Connections for off-board mounting of controls.....	64
3.69	Connections for basic operation .....	65
3.70	Adjustment and alignment .....	66
4.	Operating instructions .....	70
4.1	Overview of features.....	70
4.2	Display elements .....	72
4.3	Operator controls.....	73
4.4	Tune rate .....	73
4.5	Keyer speed.....	74
4.6	RIT .....	74
4.7	VFO mode.....	75
4.8	VFO A/B frequency swap .....	75
4.9	Frequency Presets.....	75
4.10	Automated message transmission mode .....	76
4.11	Menu System .....	76
4.12	Saving current operating parameters (VFO frequency etc).....	77
4.13	Types of configuration menu item.....	78
4.14	Editing a configuration menu parameter.....	78
4.15	Editing a LIST parameter .....	78
4.16	Editing a BOOLEAN parameter.....	78
4.17	Editing a NUMBER parameter.....	79
4.18	Editing a TEXT parameter.....	79
4.19	Frequency presets menu.....	81
4.20	Messages menu .....	81
4.21	VFO menu.....	82
4.22	Keyer menu .....	84
4.23	Decoder menu.....	88
4.24	Beacon menu .....	90
4.25	Other menu.....	97

4.26	Alignment menu.....	99
4.27	Test equipment.....	103
5.	Circuit design of the QCX .....	107
5.1	Block diagram and summary.....	107
5.2	Circuit diagram.....	109
5.3	Synthesised oscillator.....	109
5.4	Transmit/Receive switch.....	110
5.5	Band Pass, Phase Splitter, QSD and pre-amps.....	111
5.6	90-degree audio phase shift .....	112
5.7	CW filter .....	113
5.8	Audio amplifier.....	113
5.9	Transmit signal routing and PA driver.....	115
5.10	Class-E Power Amplifier .....	115
5.11	Low Pass Filter.....	117
5.12	Key-shaping circuit .....	117
5.13	Microcontroller .....	119
5.14	Optional GPS interface.....	123
5.15	In Circuit Programming (ISP) interface.....	123
5.16	Test Equipment .....	124
5.17	5V voltage regulator.....	126
6.	Fault-finding.....	126
6.1	Blank LCD or blocked LCD .....	126
6.2	No backlight at all.....	126
6.3	A row of blocks appears on the top row.....	127
6.4	DC voltage readings .....	127
6.5	RF Power output check.....	129
6.6	Audible continuous clicking noise during receive.....	130
7.	Measurements .....	130
7.1	Equipment.....	131
7.2	Transceiver current consumption.....	131
7.3	Transmitter power output .....	132
7.4	Class-E Power Amplifier drain waveform.....	133
7.5	RF envelope key-shaping .....	133
7.6	Low Pass transmitter harmonic output filter characteristics .....	134
7.7	Band Pass receiver input filter characteristics .....	134
7.8	Quadrature Sampling Detector bandwidth .....	137
7.9	CW Filter response .....	138
7.10	Unwanted sideband rejection.....	139
8.	Operation reference “cheat sheet” .....	140
9.	Resources .....	141
10.	Document Revision History.....	141





# 1. Introduction

Thank you for purchasing this high performance single-band 5W CW transceiver kit, the QCX (for **Q**RP Labs **C**W **X**cvr). This kit has a long list of features!

- Easy to build, single-board design, 10 x 8cm, all controls are board-mounted
- Professional quality double-sided, through-hole plated, silk-screen printed PCB
- Choice of single band, 80, 60, 40, 30, 20 or 17m
- Approximately 3-5W CW output (depending on supply voltage)
- 7-16V recommended supply voltage
- Class E power amplifier, transistors run cool... even with no heatsinks
- 7-element Low Pass Filter ensures regulatory compliance
- CW envelope shaping removes key clicks
- High performance receiver with at least 50dB of unwanted sideband cancellation
- 200Hz CW filter with no ringing
- Si5351A Synthesized VFO with rotary encoder tuning
- 16 x 2 blue backlight LCD screen
- Iambic keyer or straight key option included in the firmware
- Simple Digital Signal Processing assisted CW decoder, displayed real-time on-screen
- On-screen S-meter
- Full or semi QSK operation using fast solid-state transmit/receive switching
- Frequency presets, VFO A/B Split operation, RIT, configurable CW Offset
- Configurable sidetone frequency and volume
- Connectors: Power, 3.5mm keyer jack, 3.5mm stereo earphone jack, BNC RF output
- Onboard microswitch can be used as a simple straight Morse key
- Built-in test signal generator and alignment tools to complete simple set-up adjustments
- Built-in test equipment: voltmeter, RF power meter, frequency counter, signal generator
- Beacon mode, supporting automatic CW or WSPR operation
- GPS interface for reference frequency calibration and time-keeping (for WSPR beacon)

No test equipment is required to build, align and operate this CW transceiver. Its innovative self-alignment and self-test features will help and guide you in setting up the transceiver in a few easy steps. The kit also includes a voltmeter, RF power meter, frequency counter and signal generator which can aid in debugging and fault-finding.

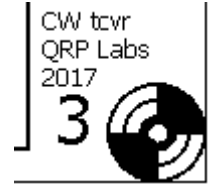
We hope you enjoy building and operating this kit! Please read this assembly manual carefully, and follow the instructions step by step in the recommended order. Later in the manual the circuit design is described in detail and we recommend reading and understanding this section too, to get the maximum enjoyment and education from your new radio.

Typical performance measurements are shown in the measurements section. The operation section of the manual describes transceiver, alignment and test equipment operation in detail.

**There is a single page reference “cheat sheet” near the end of the manual.**

## Important note: PCB Rev 3

Note, this is the manual for the QCX kit PCB Rev 3. This PCB revision is indicated by the “3” in the bottom right corner of the PCB, when held in the usual conventional orientation used throughout this manual (see right).

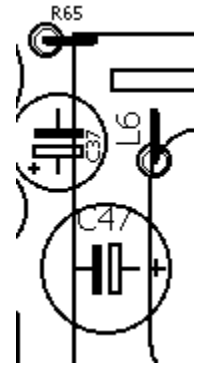


If you have a Rev 1 or Rev 2 PCB, please use the earlier manual versions (available on the QCX page <http://grp-labs.com/qcx>)

### Changes

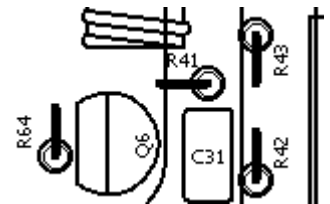
The changes in this PCB revision compared to the Rev 1 and 2 PCBs are as follows:

- 1) Modification to improve contrast potentiometer adjustment, to make better use of the full travel of the potentiometer, as described here <http://grp-labs.com/qcx/qcxmods.html#lcd> – this modification uses one additional 3.3K resistor (supplied) which is designated R65. This is installed near the R47 trimmer potentiometer which now has 22K value, as described in assembly instructions step 3.23 below.



- 2) Modification for unreliable microcontroller start-up is now included as standard. This is as documented here: <http://grp-labs.com/qcx/qcxmods.html#pwrup> – there are no additional components, this modification is achieved by re-routing traces so that inductor L5 is connected to “Vcc” rather than +5V. A subtle distinction.

- 3) Modification for Power Amplifier instability that was sometimes seen on higher frequency bands e.g. 17m and 20m band kits: see <http://grp-labs.com/qcx/qcxmods.html#pa> – this modification includes one additional 10K resistor R64 (supplied) which is designated R64. This is installed near Q6, as described in assembly instructions step 3.21 below.



### Other component changes

The PCB Rev 3 current kits are supplied with the components listed in the parts list below. However, in earlier batches of kits some components differed as follows:

- L5, L6 were previously supplied as 100uH (now 47uH)
- R47 was previously supplied as 100K or 10K (now 22K)
- C47 could have been supplied as 220uF (now 470uF).

In all cases, these component changes are minor. If you have also built previous version of the kit, using these earlier components, you do not need to change them.

## 2. Parts list

### Resistors (all fixed resistors are ¼-Watt, 1% tolerance)

R5, R6, R8, R9	100-ohm (4 pcs), brown-black-black-black-brown
R48	270-ohm, red-purple-black-black-brown
R41	470-ohm, yellow-purple-black-black-brown
R3, 4, 19, 26, 37, 42, 45, 53-55, 62, 63	1K (12 pcs), brown-black-black-brown-brown
R12, 13, 15, 16, 20, 22, 23, 25, 44, 56, 59, 65	3.3K (12 pcs), orange-orange-black-brown-brown
R61	3.9K, orange-white-black-brown-brown
R18	4.3K, yellow-orange-black-brown-brown
R11	5.1K, green-brown-black-brown-brown
R21	7.5K, purple-green-black-brown-brown
R1, 2, 7, 10, 14, 34, 39, 40, 46, 49-52, 57-58, 64	10K (16 pcs), brown-black-black-red-brown
R28, 29	33K (2 pcs), orange-orange-black-red-brown
R30, 31	47K (2 pcs), yellow-purple-black-red-brown
R32, 33	36K (2 pcs), orange-blue-black-red-brown
R38, 43, 60	120K (3 pcs), brown-red-black-orange-brown
R35	750K, purple-green-black-orange-brown
R27	500-ohm multi-turn trimmer potentiometer
R17, 24	50K multi-turn trimmer potentiometer (2 pcs)
R36	5K potentiometer
R47	22K (or 10K, 100K) trimmer potentiometer

### Capacitors

C5	22pF, "220" (not used on every band version)
C30	30pF, "300" (not used on every band version)
C8	39pF, "390" (not used on every band version)
C14, 16, 18, 23, 33	1nF, "102", (5 pcs)
C19, 20	2.2nF, "222" (2 pcs)
C53	3.3nF, "332"
C4, 7, 10, 42	10nF, "103" (4 pcs)
C15	33nF, "333"
C17	39nF, "393"
C9, 13	47nF, "473" (2 pcs)
C2, 3, 6, 12, 29, 32, 34-36, 39-41, 48-50, 52	0.1uF, "104" (16 pcs)
C11, 43-46	470nF, "474" (5 pcs)
C31	1uF, "105"
C21, 22, 24, 37, 38, 51	10uF electrolytic (6 pcs)
C47	470uF electrolytic
C25, C26	Value depends on band, in LPF kit bag (2 pcs)
C27, C28	Value depends on band, in LPF kit bag (2 pcs)
C1	30pF trimmer

## Semiconductors

D1, 2, 4, 5	1N4148 (4 pcs)
D3	1N5819
IC1	SI5351A 10-pin MSOP (pre-soldered at factory)
IC2	ATmega328P 28-pin microcontroller
IC3	74ACT00N 14-pin quad NAND gate
IC4	FST3253 16-pin SOIC (pre-soldered at factory)
IC5-10	LM4562 8-pin dual op-amp (6 pcs)
IC11	7805, TO220 5V 1A voltage regulator
Q1-5, 7	BS170 TO92 MOSFET (6 pcs)
Q6	MPS751 TO92 transistor (MPS2907 in early kits)

## Inductors

L1, 3	Value depends on band, in LPF kit bag (2 pcs)
L2	Value depends on band, in LPF kit bag
L4	T37-2 (red) toroid, value depends on band
L5, 6	47uH (or 100uH) axial molded inductors (2 pcs)
T1	T50-2 (red) toroid, value depends on band

## Miscellaneous

2 x 3-pin	Male header, in-circuit programming connector
4-pin	Male header connector, in LPF kit bag (2 pcs)
16-pin	Male header connector
16-pin	Female header connector
2-pin terminal block	2-pin screw terminal block
3.5mm stereo	3.5mm stereo connector (2pcs)
BNC	PCB-mounting BNC connector
S1	Microswitch
S2, 3	6 x 6mm push-to-make button (2 pcs)
SW1	Rotary encoder with shaft push-button
16 x 2 LCD	HD44780 LCD 1602 with blue backlight
XTAL1	20MHz HC49/4H quartz crystal
XTAL2	27MHz HC49/4H quartz crystal
PCB	4.0 x 3.2-inch PCB (101.6 x 81.3mm)
spacer	12mm M3 nylon hex spacers (8 pcs)
screw	6mm M3 nylon screws (12 pcs)
Knob	Knobs to fit rotary encoder and R36 (2 pcs)

## 3. Assembly

Assembly of this kit is quite straightforward. But there are quite a lot of components. So please keep them methodically in trays or some convenient storage boxes, and be careful not to misplace any. The usual kit-building recommendations apply: work in a well-lit area, with peace and quiet to concentrate. **The IC (chips) and some of the other semiconductors in the kit are sensitive to static discharge. Therefore, observe Electrostatic discharge (ESD) precautions.** And I say it again: **FOLLOW THE INSTRUCTIONS!!** Don't try to be a hero and do it without instructions!

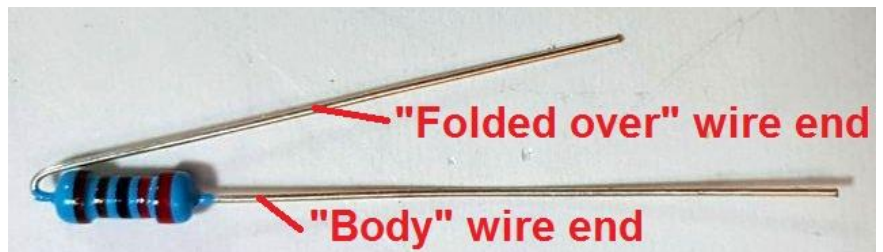


A jeweller's loupe is really useful for inspecting small components and soldered joints. You'll need a fine-tipped soldering iron too. It is good to get into the habit of inspecting every joint with the magnifying glass or jeweller's loupe (like this one I use), right after soldering. This way you can easily identify any dry joints or solder bridges, before they become a problem later on when you are trying to test the project.



**Triple check every component value and location BEFORE soldering the component!** It is easy to put component leads into the wrong holes, so check, check and check again! It is difficult to de-solder and replace components, so it is much better to get them correctly installed the first time. In the event of a mistake, it is always best to detect and correct any errors as early as possible (immediately after soldering the incorrect component). Again, a reminder: removing a component and re-installing it later is often very difficult!

All of the resistors in the kit are installed vertically, because PCB space is limited. You will need to bend the resistor wires as shown in the picture below. On the parts layout diagram, there is a small circle around the hole where the body end of the resistor should be installed. This is not critical (resistors don't care which way around they are) but it is recommended, just to try to ensure that the folded over wire-end of the resistor doesn't touch any other wire or metal part.



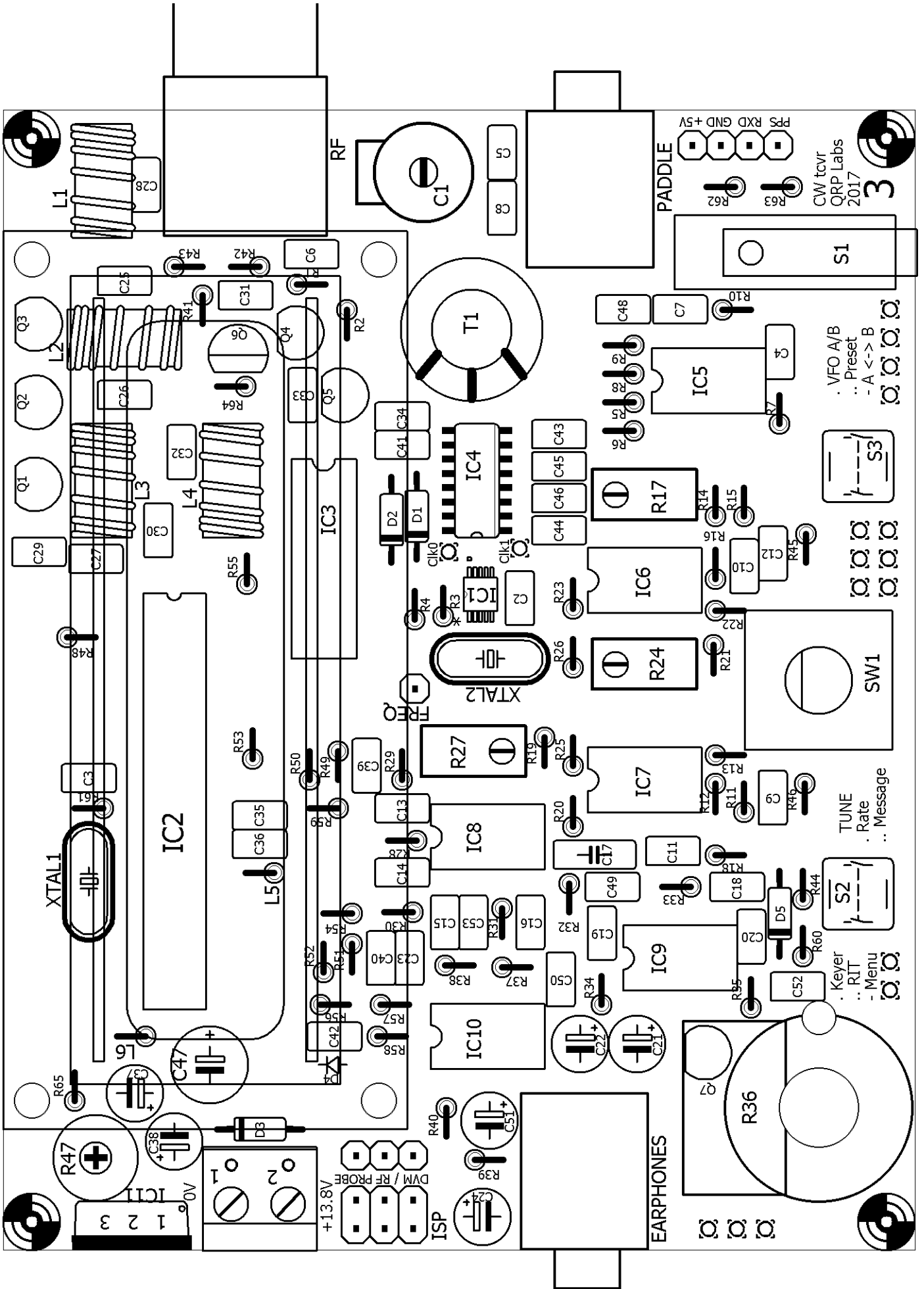
Please refer to the layout diagram and PCB tracks diagrams below, and follow the steps carefully.

Assembly steps will be in the order of smallest to largest components. I follow the order semiconductors, capacitors, resistors and finally all other (generally larger) components. It is probably unnecessarily thorough and complex to build the radio one stage at a time and test each stage one by one... I recommend just install everything then power up.

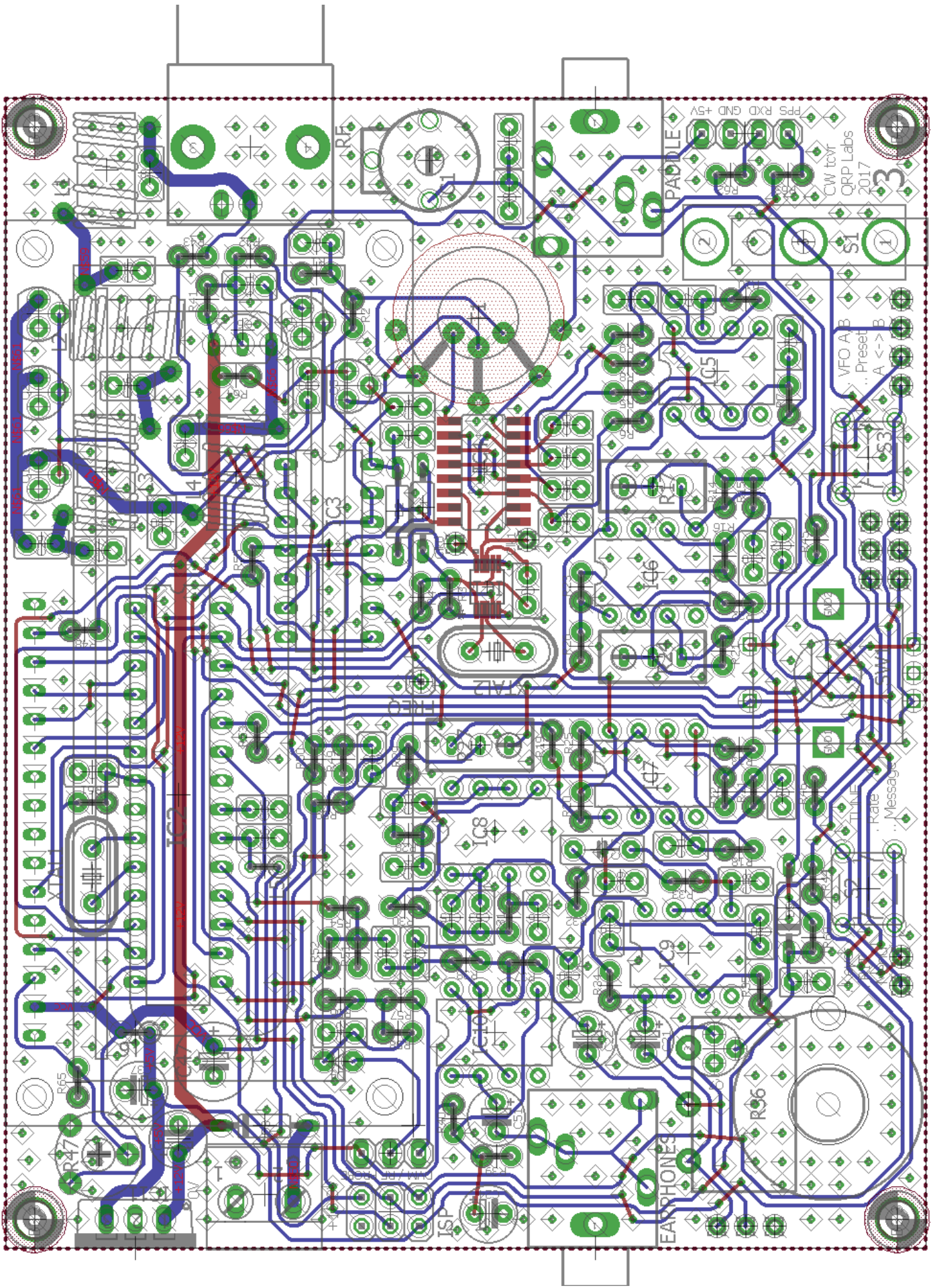
As per standard QRP Labs practice, the ATmega328P microcontroller has a 28-pin DIP socket in case you may wish to subsequently replace it for firmware upgrades etc. The Si5351A and FST3253 ICs are only available in surface mount packages so these are already soldered to the PCB for you, at the factory. All other components used are all leaded through-hole packages, and all are installed on the top side of the PCB.

Some people like using IC sockets, some don't. Undoubtedly there is a cost impact, of course. Personally, I believe that on average, the use of IC sockets causes more problems than it solves. They create the potential for bent pins that don't make contact properly, hidden shorts under the socket, issues with increased lead length, etc. Accordingly, the remaining ICs are soldered directly into the PCB without IC sockets. Please forgive me if you disagree.

You may find it convenient to inventory the resistors and capacitors and sort them by value, so that you can easily find the correct ones as you work through the assembly steps.







QRP Labs  
 CW Icxr  
 2017  
 S1

VFO A/B  
 .. Preset  
 A <-> B

.. Rate  
 .. Message

The PCB track and circuit (schematic) diagrams are shown on the previous pages. Tracks shown in BLUE are on the bottom layer. Tracks shown in RED are on the top layer. There are only two layers (nothing is hidden in the middle). Not shown in this diagram are the extensive ground-planes, on both sides of the board. Practically everything on both layers that isn't a RED or BLUE track, is ground-plane! The two ground-planes are connected at frequent intervals (not more than 0.1-inches) by vias. This is the kind of layout I have done previously for a quad-band GSM device operating at up to 1900MHz... it is probably overkill in an HF transceiver... but if you can, why not! I used to say often that you can never have too much supply line filtering and decoupling, and never have too much shielding. Both these statements don't apply so conveniently to kits as they do to homebrew projects. In a kit every decoupling capacitor has a cost in both money and PCB area (which also means more money). Shielding is even more difficult and expensive. So shielding and decoupling should be applied where needed only! But ground-plane – well that's another story. It's free, and without drawbacks – so why not, let's just put it everywhere.

The PCB silkscreen component numbers are necessarily quite small and may be overlapping pads or vias, or near to other components. It may be nice to have doubled the size of the PCB and have more space to print nice silkscreen labels of the component numbers. But the result wouldn't be such a cute and neat little radio and the price wouldn't be so friendly either! So check carefully, before soldering each component! Check the location and check again – with reference to the diagrams in each step.

All components are installed on the top (component side) of the PCB and soldered on the bottom (solder side) of the PCB.

Take care when installing integrated circuits. All through-hole integrated circuits are supplied by the manufacturers with their pins bent a little wide. You need to carefully bend the rows of pins together a little, in order to fit them in the PCB holes, or in the 28-pin IC socket in the case of the ATmega328P microcontroller.

The band-specific Low Pass Filter (LPF) parts are supplied in a separate LPF kit bag.

In the construction for some bands, not all of the capacitors supplied in the kit are used. Do not be alarmed if you have a few components left over at the end!

Wind the L1-3 inductors with the enamelled copper wire supplied in the LPF kit bag. Wind the other inductors (L4 and transformer T1) using the wire supplied in the main kit bag.

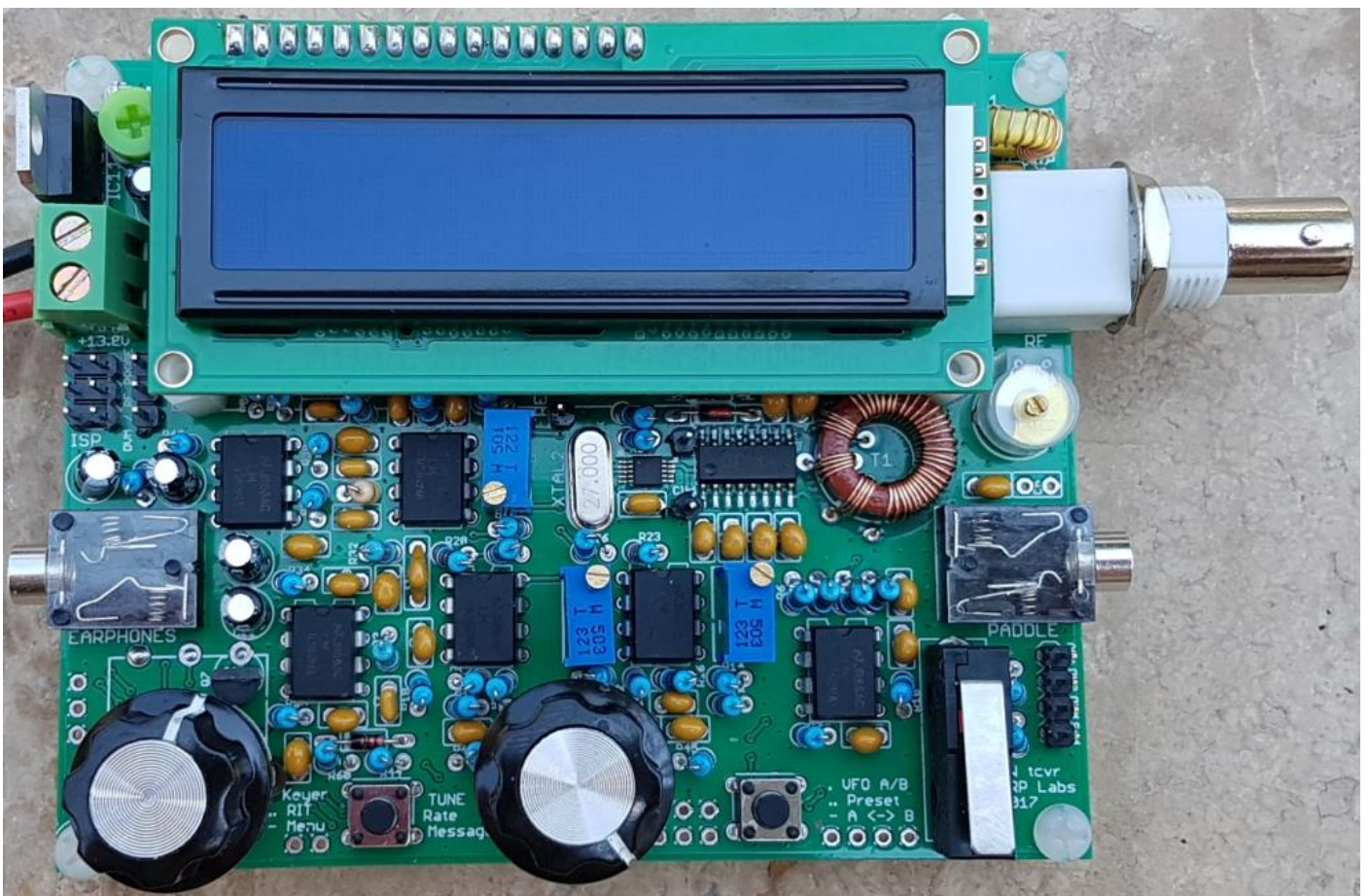
The component colour coding of the layout diagram at every step of the assembly instructions is as follows (kind of: components past, present and future):

- Components shaded grey have already been installed
- Components shaded red are the ones being installed in the current assembly step
- Components shaded white are the ones which have not yet been installed

The following photographs show the final assembly, with and without the LCD module plugged in. You can keep these photographs in mind when assembling the kit, they will give you some idea of how the kit fits together and help avoid assembly errors.

Note: the photos are for PCB Rev 1 and 2; there are two extra resistors on PCB Rev 3.

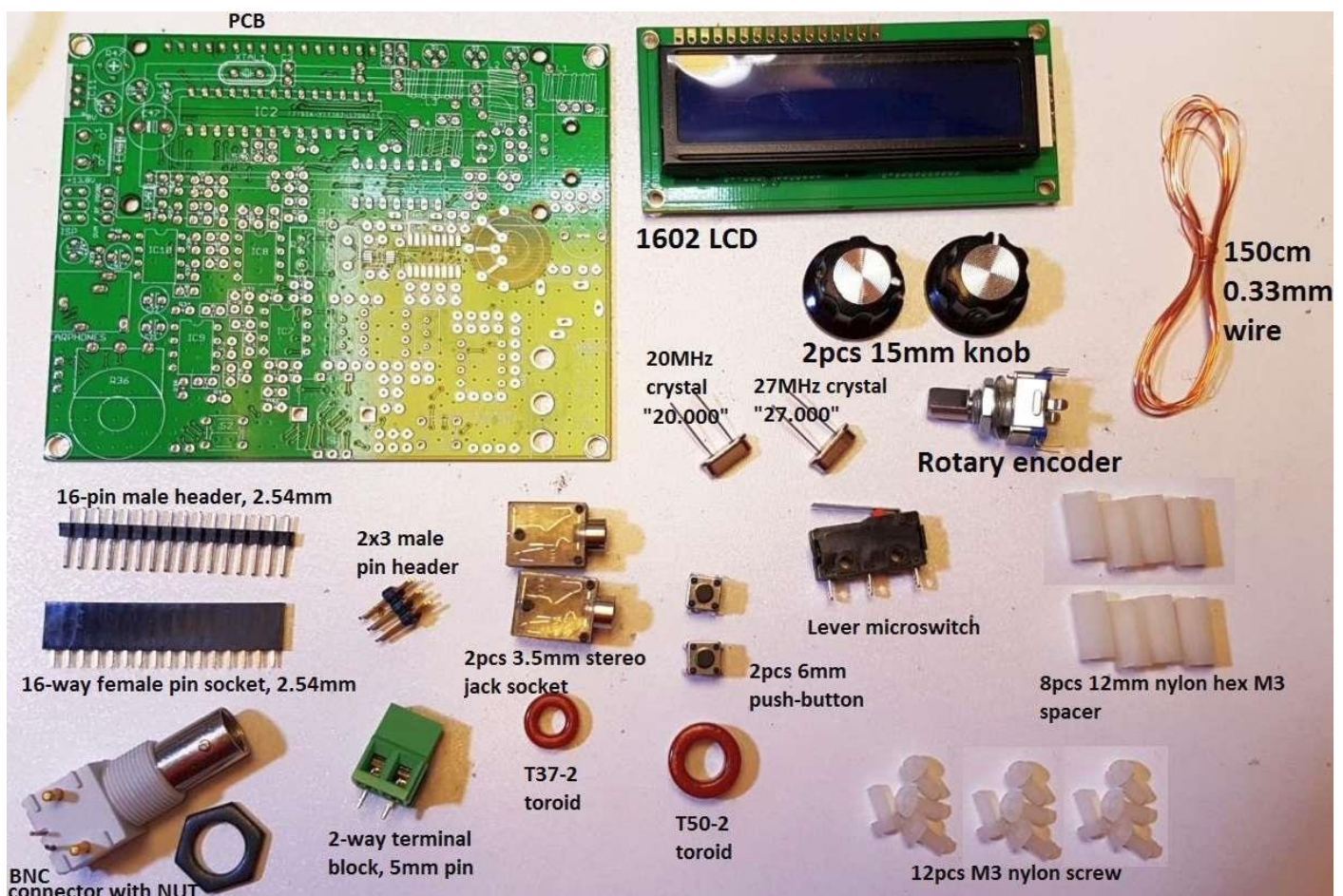
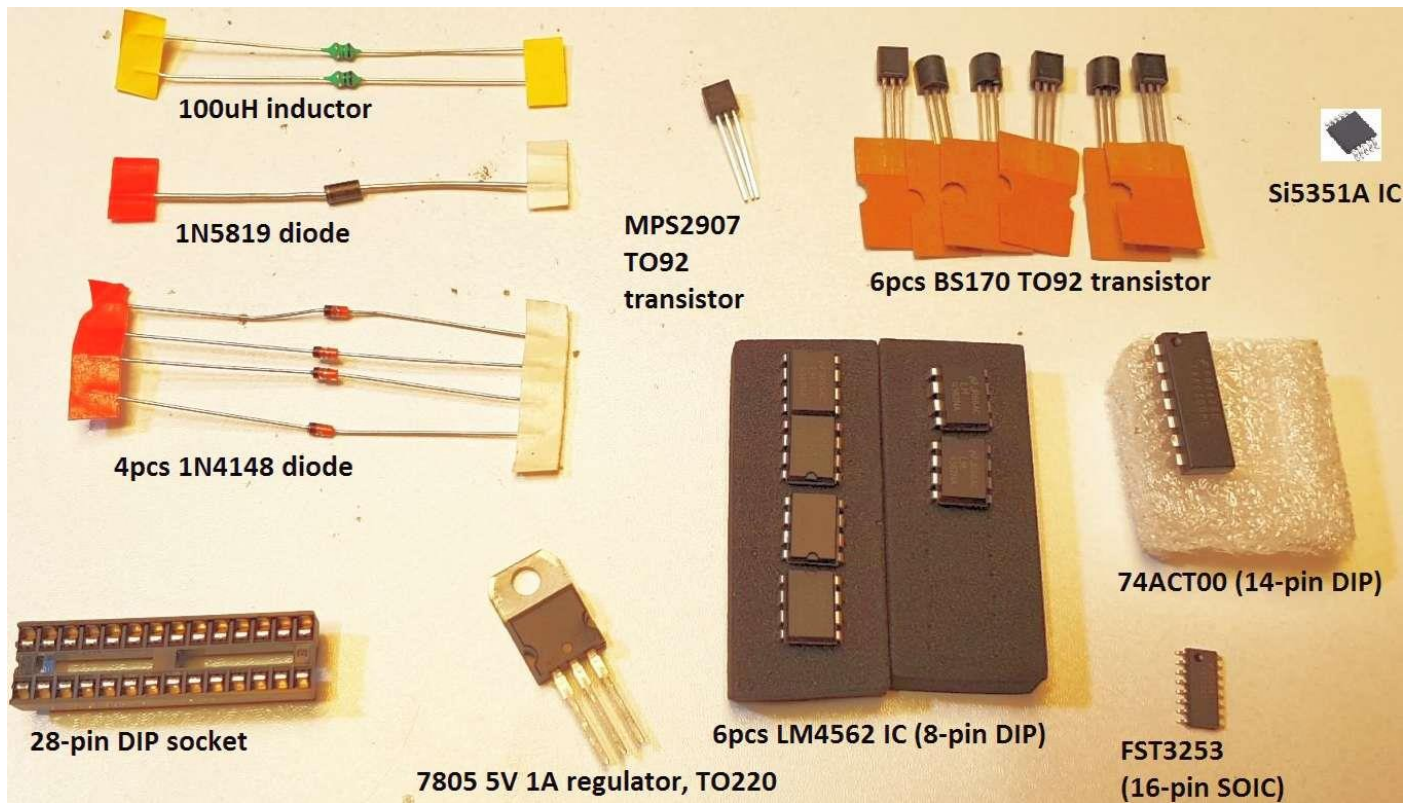






### 3.1 Inventory parts

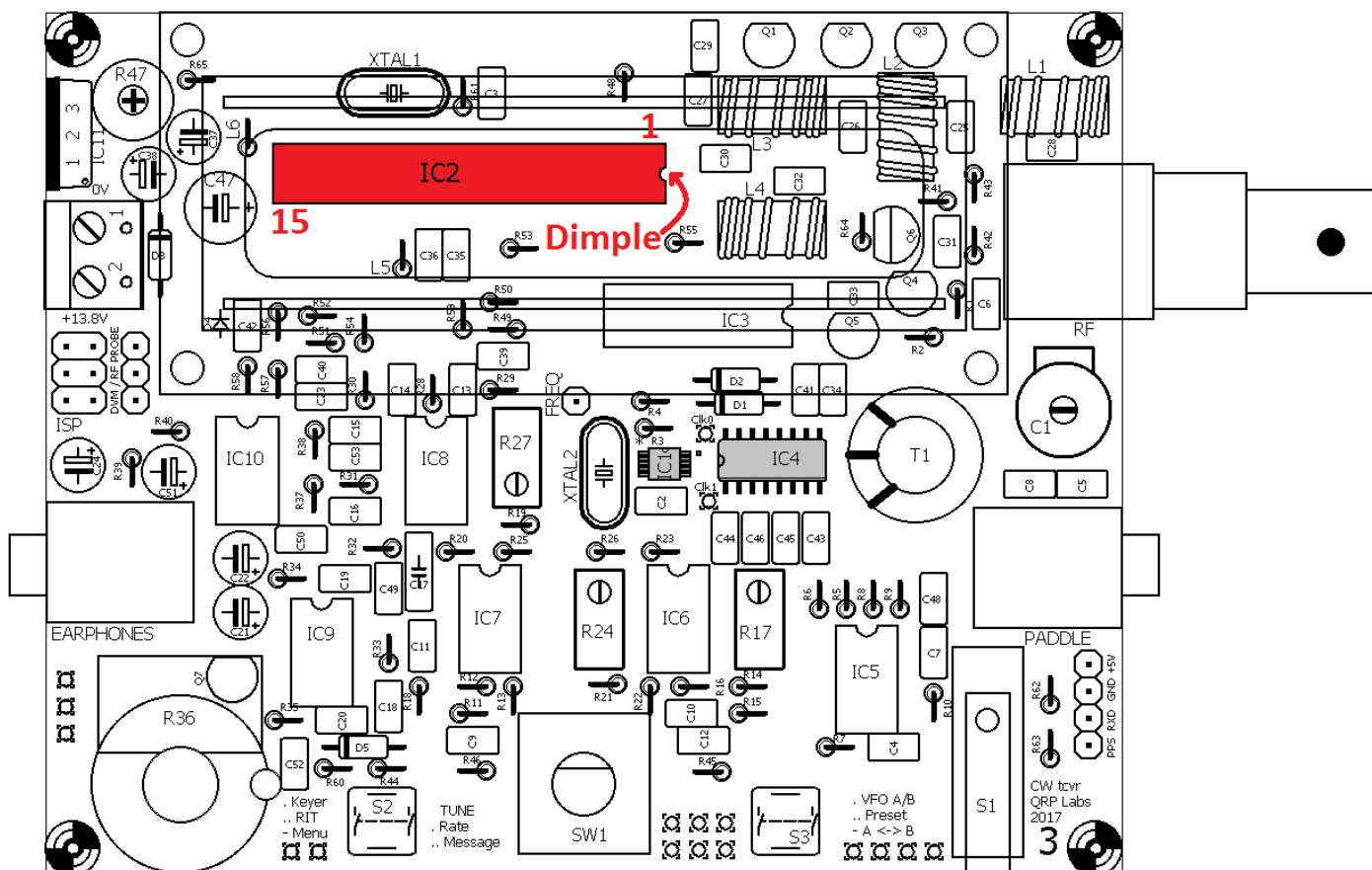
Refer to parts list in section 2. The following photographs are to aid component identification. The resistors and capacitors are omitted.



## 3.2 Install IC2 socket

Install the 28-pin IC socket for IC2. Take care to match the dimple on the socket, with the dimple on the PCB silkscreen. It is critical to insert the microcontroller with the correct orientation. Lining up the dimple on the PCB silkscreen, socket and actual IC is the best way to avoid confusion and potential error.

I recommend soldering one pin at each diagonal, for example pins 1 and 15. You can then check that the IC socket is seated firmly on the PCB, and correct any issues easily. Once all the pins are soldered it will be difficult, if not impossible, to change anything. When you are happy with the position of the socket, proceed with soldering the other 26 pins.



### 3.3 Install DIP integrated circuits IC3, IC5-10

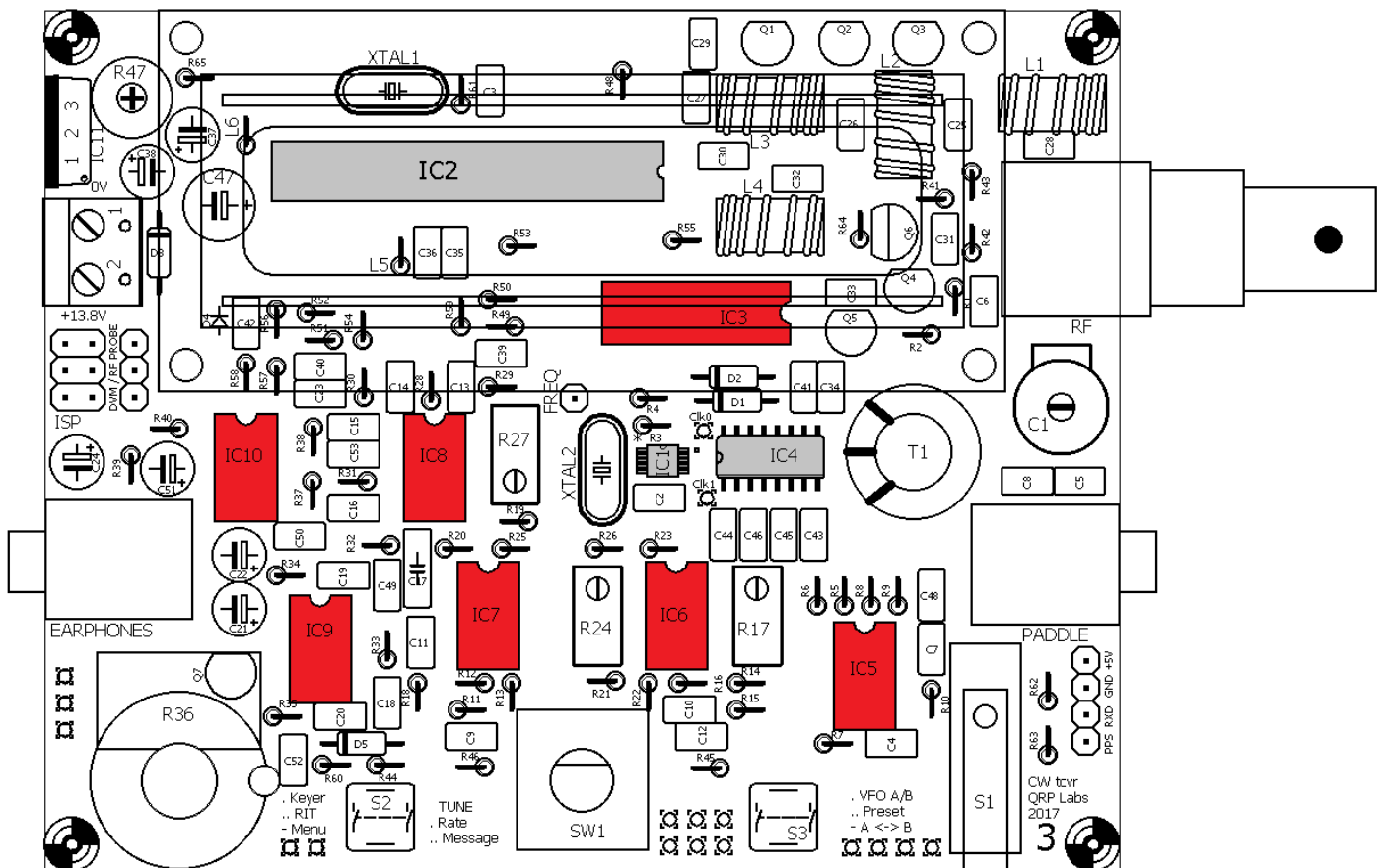
In the same way, install the Dual-Inline-Package integrated circuits IC3 and IC5-10. We install these now because they have more pins than all the passive components (resistors, capacitors etc) and it is easiest to reach and install the ICs properly when they are alone on the board. All of the operational amplifier ICs (IC5-IC10) are part number LM4562, so it is impossible to mix them up, they are the only 8-pin DIP chips in the kit. Similarly, IC3 is the only 14-pin DIP chip.

Electrostatic Discharge (ESD) precautions should be observed though personally I do not think it is necessary to get crazily paranoid about this. Don't wear 100% nylon clothing and dance around on a nylon carpet etc to build up static charge! But I don't go to the other extreme of earth mats, earthed wrist bands etc.

It IS absolutely critical to align the IC's properly! Be very careful to check and double-check and even triple-check that the dimple in each IC package is aligned with the dimple in the silkscreen print on the PCB (and the layout diagram).

It is normal to need to slightly squeeze the rows of pins inwards to fit in the holes on the PCB. IC manufacturers always supply leaded (through-hole) ICs with the pins a little too wide-spaced.

As before, I find it useful to solder initially two pins at diagonal opposites of the chip, then check that the chip is nicely seated evenly on the board, before soldering the other pins.



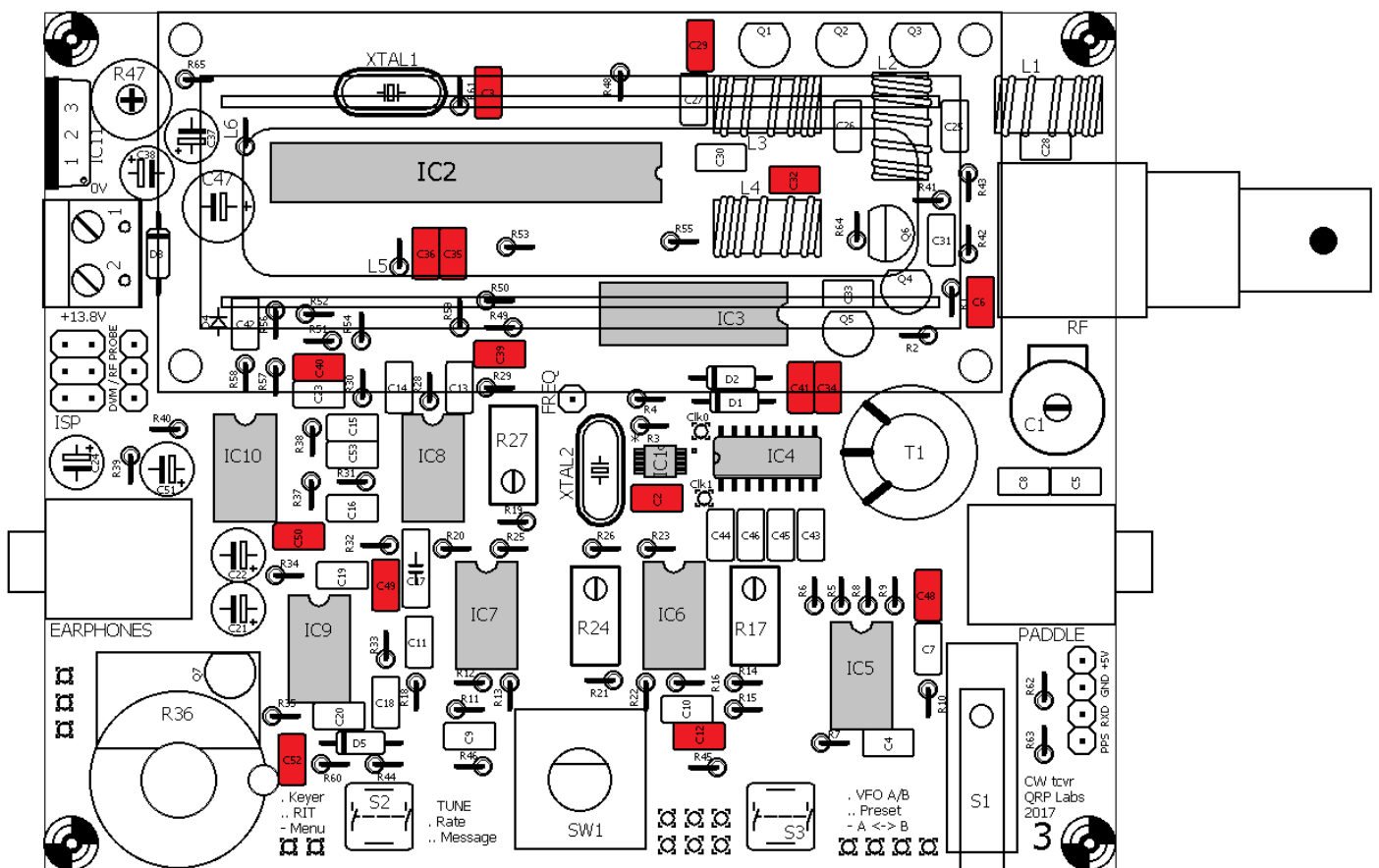


### 3.4 Install all 100nF (0.1uF, “104”) capacitors

There are 16 100nF (0.1uF) capacitors, these have the code “104” written on them. Be sure to identify the correct capacitors, using a magnifying glass or jeweller’s loupe. These capacitors are C2, C3, C6, C12, C29, C32, C34, C35, C36, C39, C40, C41, C48, C49, C50 and C52. Place each in the correct position on the board, and slightly bend the legs outwards at about 30-degree angle so that they stay in place. Then solder the wires, and trim the excess wire length with wire cutters.

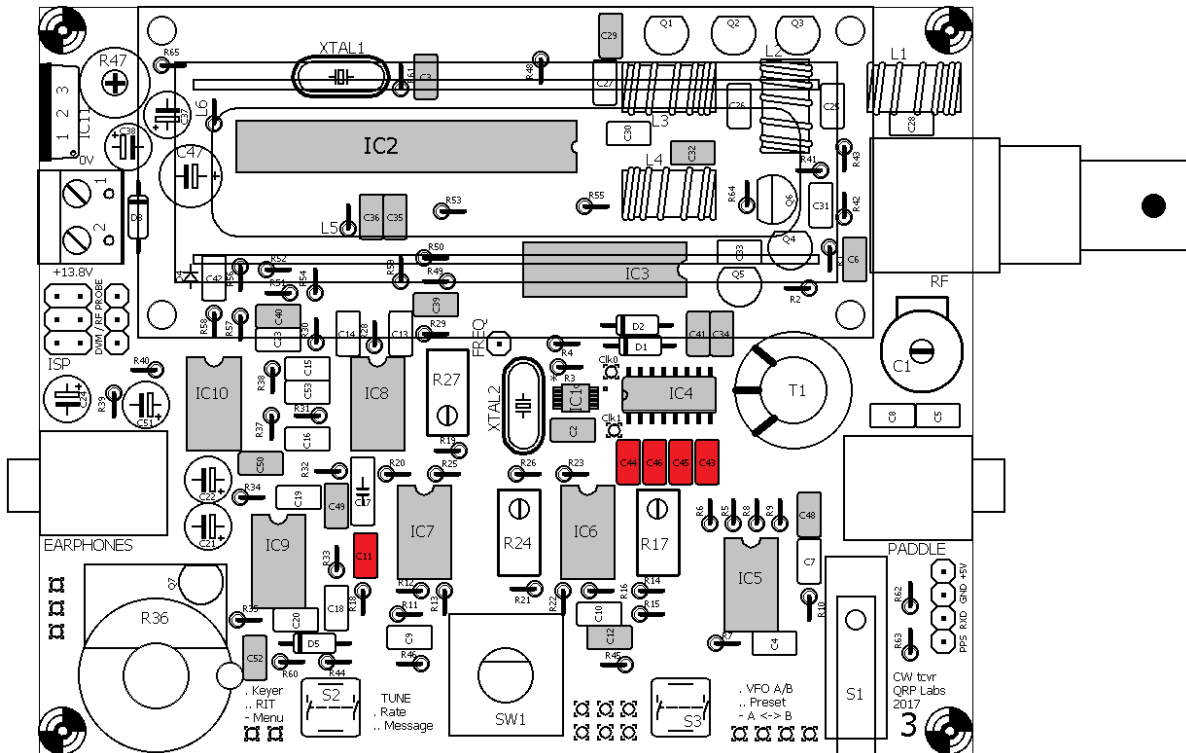
It does not matter which way round the capacitors are installed. However, it is very good practice to install them all with the capacitor label facing in the same direction. For example, ensure all the “104” labels face to the front, or to the right (depending which way the capacitor is orientated on the PCB).

**Take particular care soldering wires which connect to the ground plane. Despite the “thermals” (a ground pad is connected to the ground plane by four thin traces, not a continuous ground plane, to make soldering easier), the heat dissipation is still more, and it can be harder to make a good joint.**



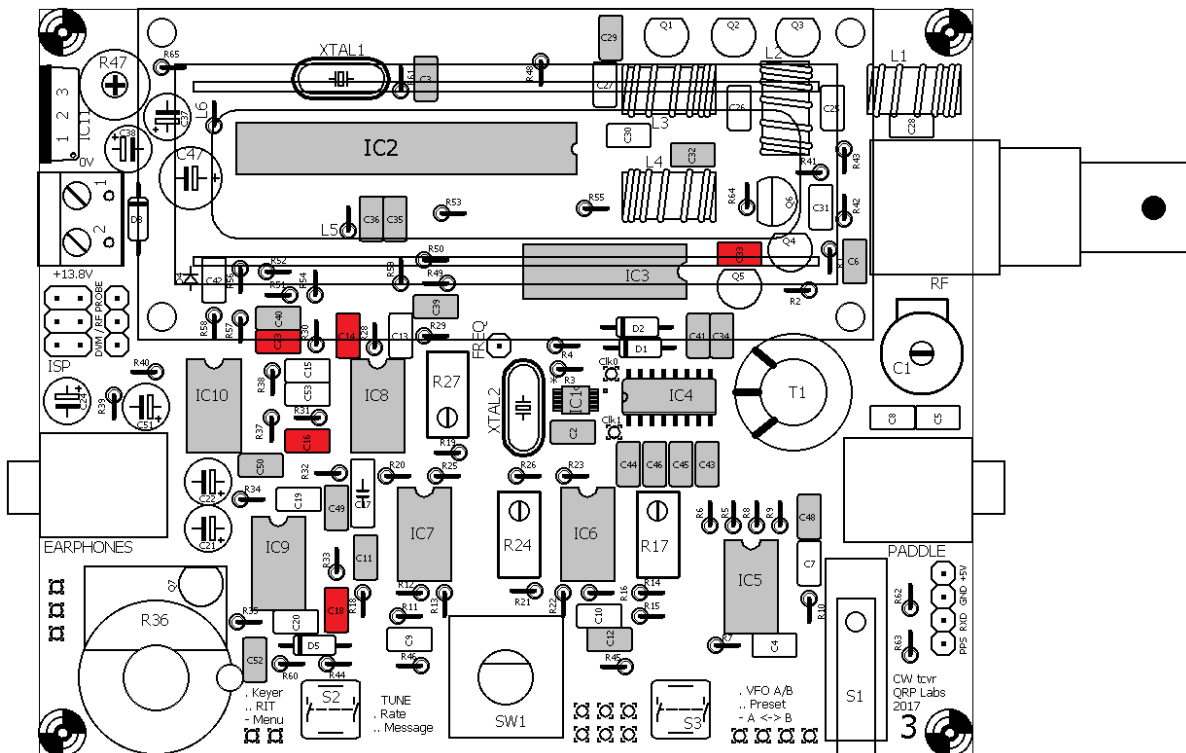
### 3.5 Install all 470nF, “474” capacitors

The 470nF capacitors are labelled “474”, and are capacitors C11, C43, C44, C45 and C46.



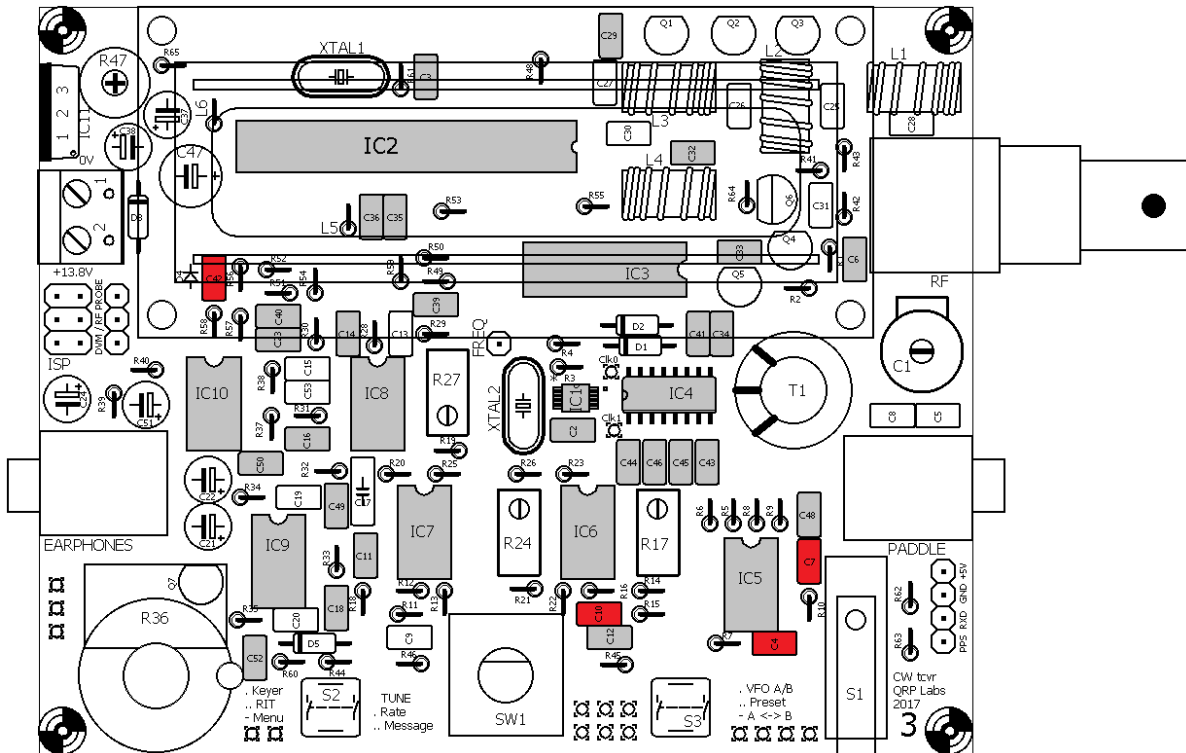
### 3.6 Install all 1nF, “102” capacitors

The 1nF capacitors are labelled “102” and are capacitors C14, C16, C18, C23 and C33.



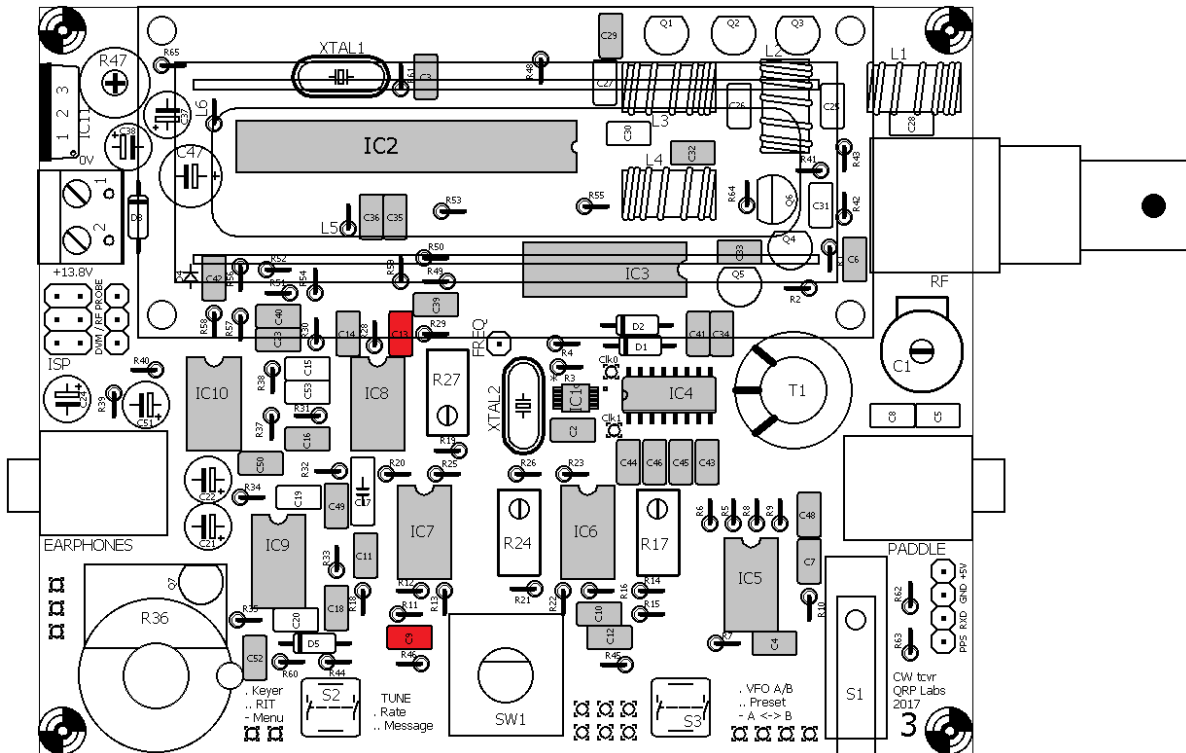
### 3.7 Install all 10nF, “103” capacitors

The 10nF capacitors are labelled “103” and are capacitors C4, C7, C10 and C42.



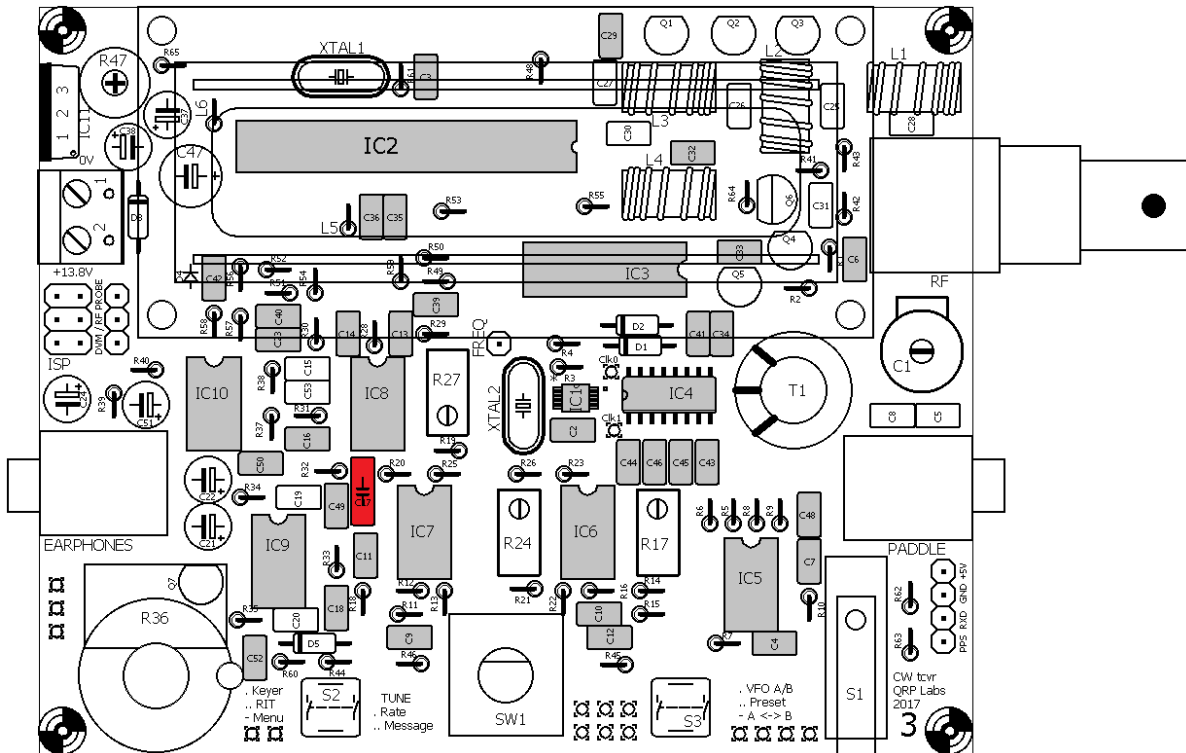
### 3.8 Install 47nF, “473” capacitors

The 47nF capacitors are labelled “473” and are capacitors C9 and C13.



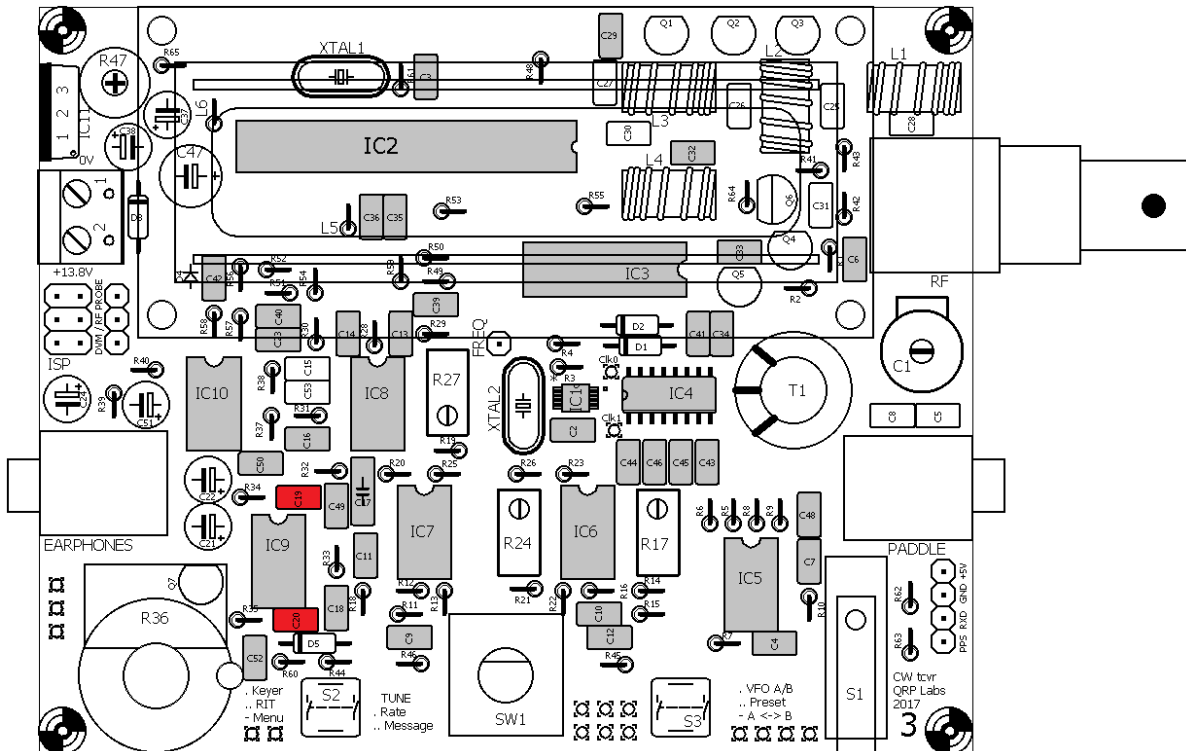
### 3.9 Install 39nF, “393” capacitor

The 39nF capacitor is labelled “393” and is C17. It has 5mm pin spacing, unlike the others.



### 3.10 Install 2.2nF, “222” capacitors

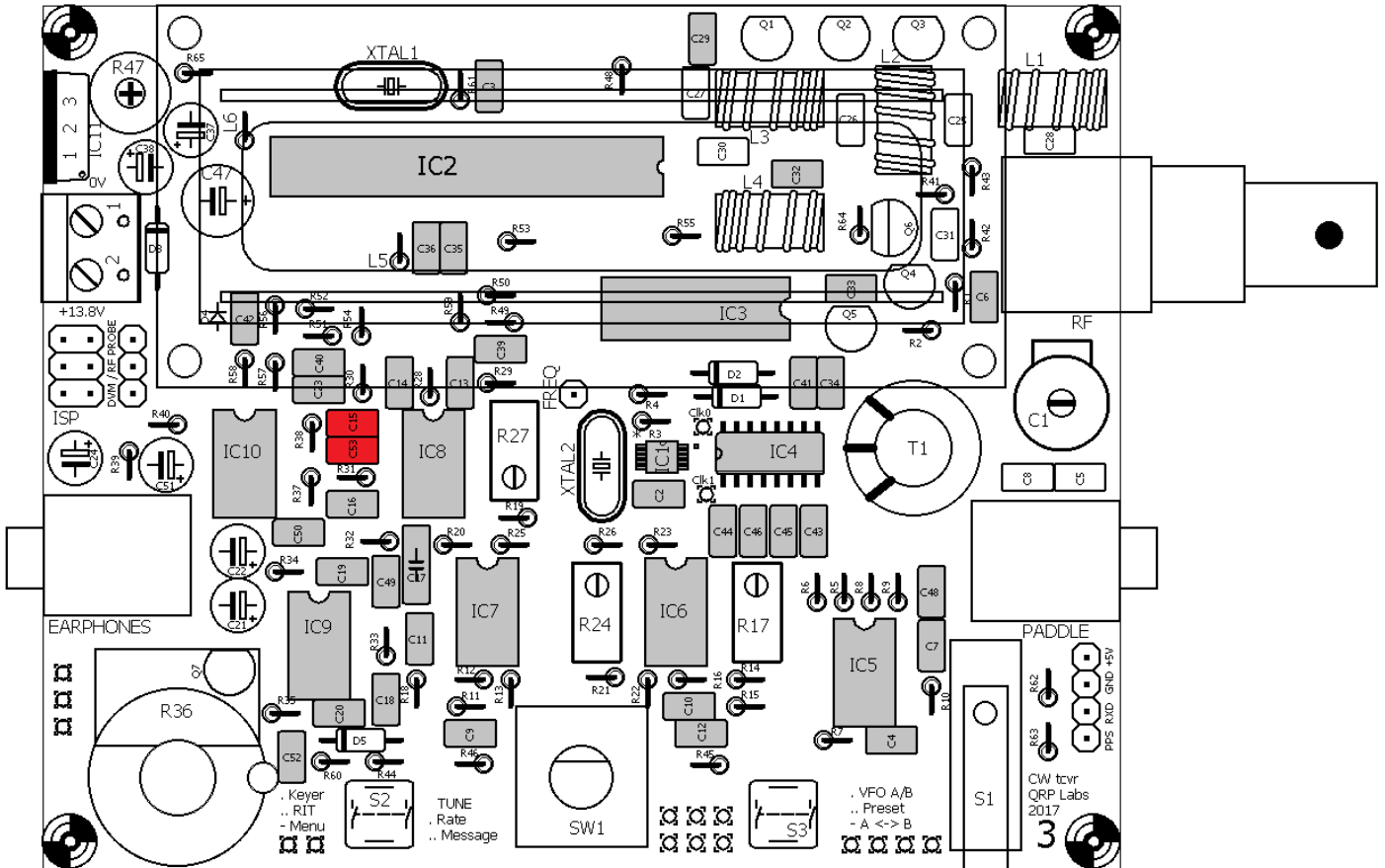
The 2.2nF capacitors are labelled “222” and are C19 and C20.





### 3.11 Install 33nF, “333” and 3.3nF, “332” capacitors

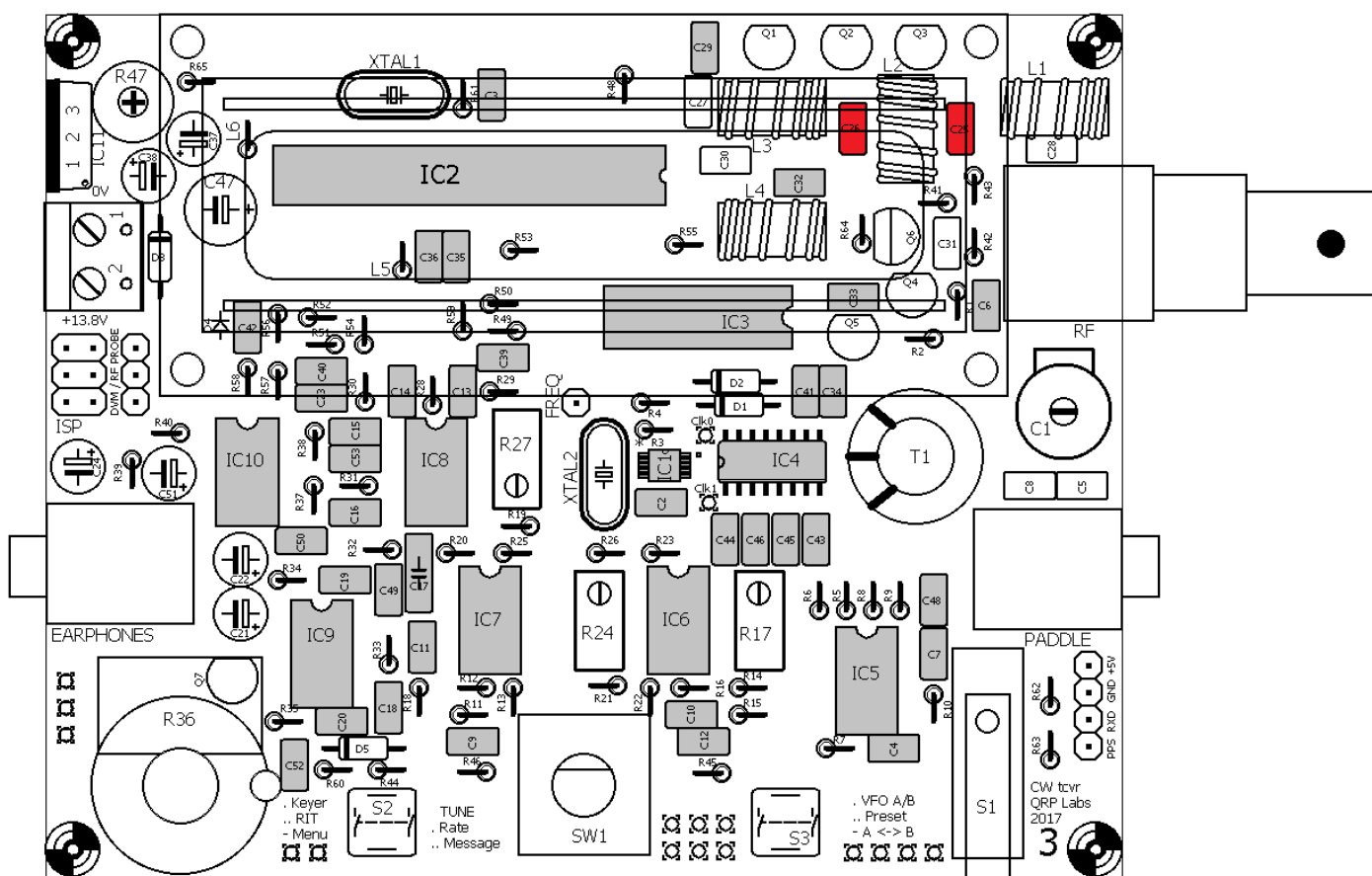
These are labelled “333” and “332”, and in parallel make up 36nF. They are C15 and C53.



### 3.12 Install capacitors C25 and C26 from the Low Pass Filter kit

The value of these capacitors depends on your chosen band. The capacitors are located inside the separate Low Pass Filter bag in your main kit bag. Refer to the following table to find the correct capacitor value for your band:

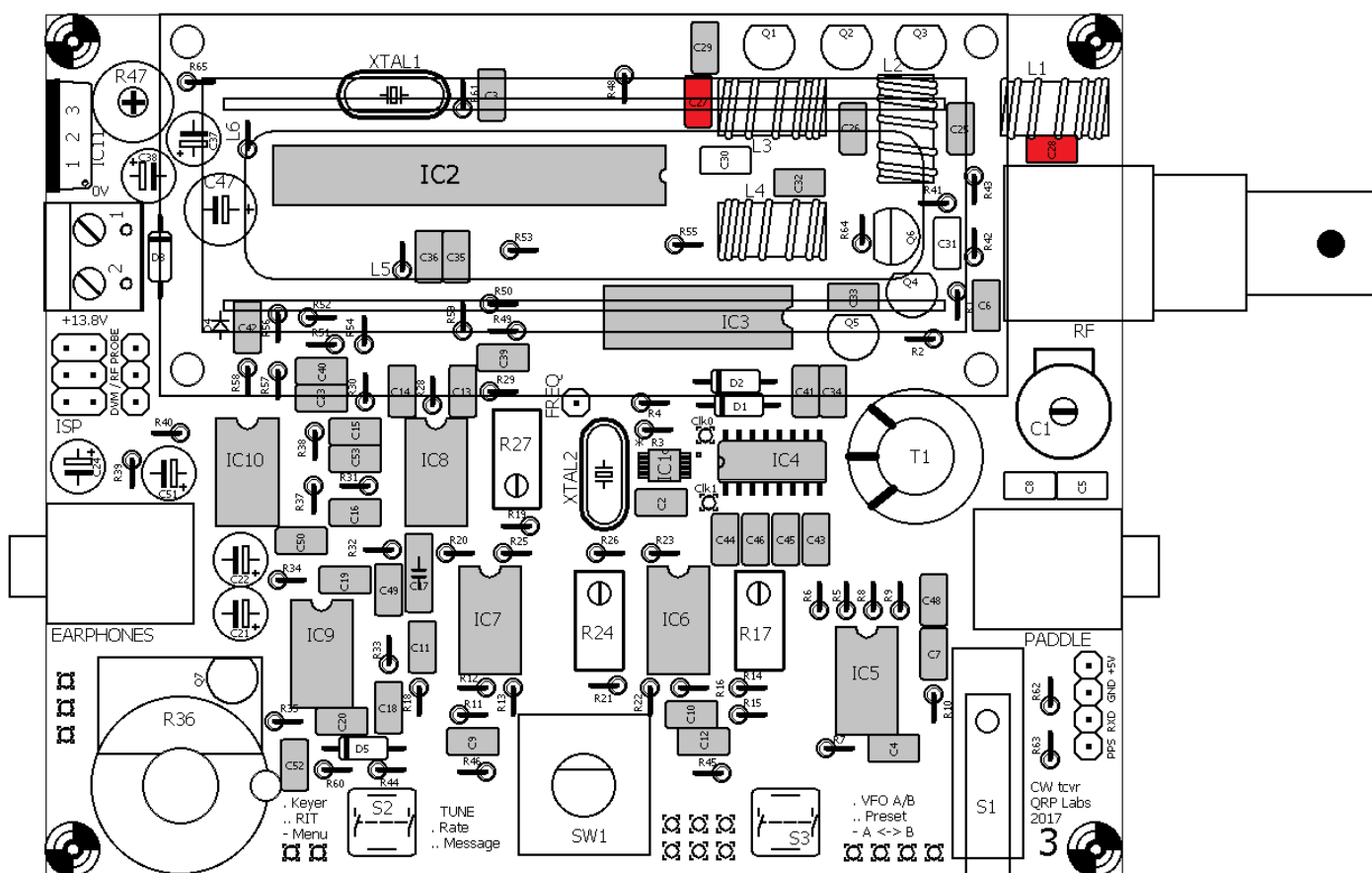
Band	Value	Label
80m	1200pF	"122"
60m	1200pF	"122"
40m	680pF	"681"
30m	560pF	"561"
20m	390pF	"391"
17m	270pF	"271"



### 3.13 Install capacitors C27 and C28 from the Low Pass Filter kit

The value of these capacitors depends on your chosen band. The capacitors are located inside the separate Low Pass Filter bag in your main kit bag. Refer to the following table to find the correct capacitor value for your band:

Band	Value	Label
80m	470pF	"471"
60m	680pF	"681"
40m	270pF	"271"
30m	270pF	"271"
20m	180pF	"181"
17m	100pF	"101"



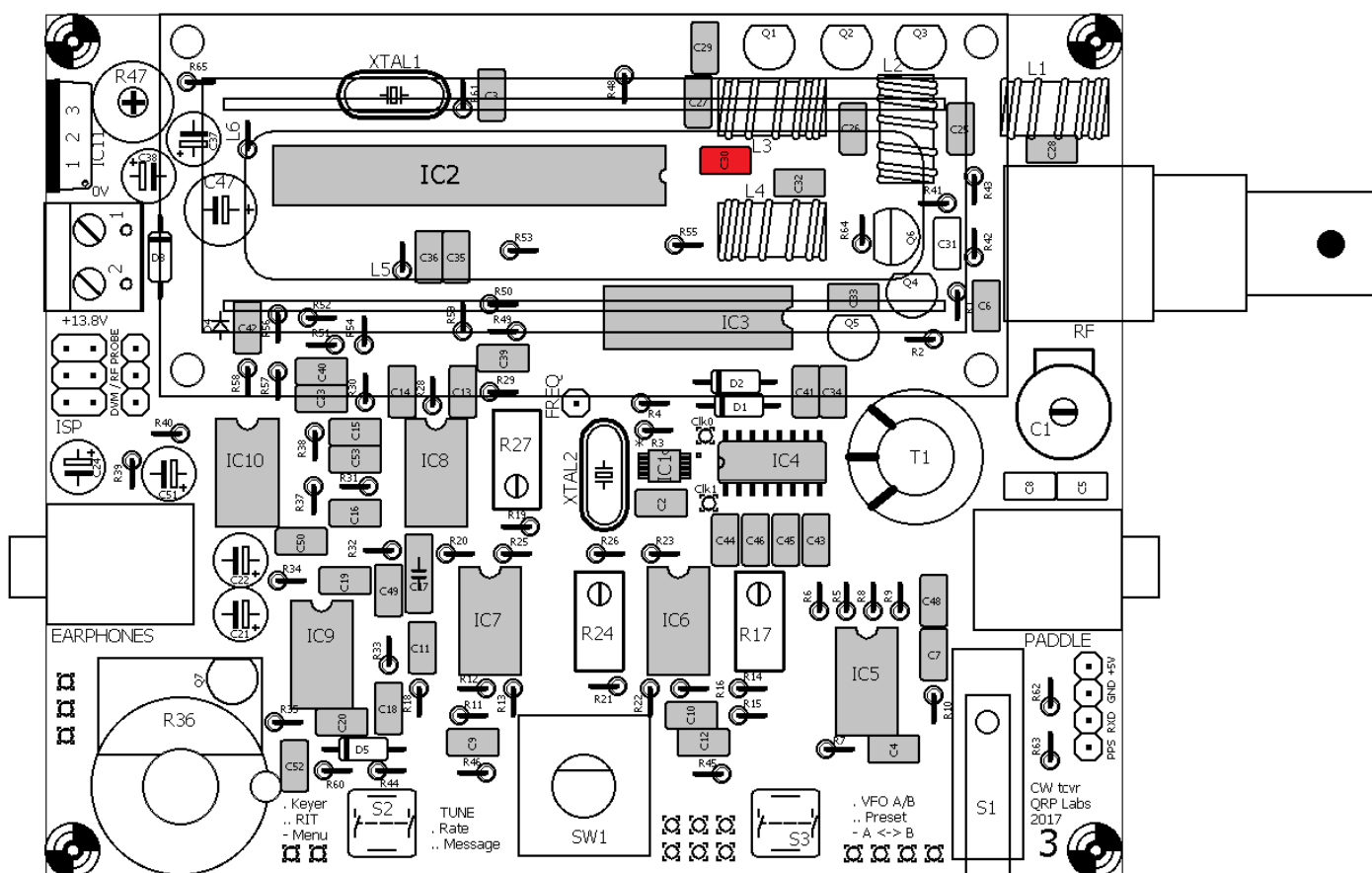
### 3.14 Install capacitor C30

This capacitor is band dependent. The kit contains all required capacitor values for all bands. Install the one appropriate to your band. Refer to the following table to find the correct capacitor value for your band:

Band	Value	Label
80m	180pF	"181"
60m	30pF	"300"
	56pF	"560"
40m	56pF	"560"
30m	30pF	"300"
20m	30pF	"300"
17m	30pF	"300"

**60m important note:** for the 60m band, the capacitor requires both the 30pF and 56pF capacitors to be soldered in parallel, but there is only one component position on the PCB. For 60m, you will need to install one of the capacitors (e.g. 56pF) in the component holes provided, and solder the other one (e.g. 30pF) to the same pads under the PCB. Take care to keep the component wires short and not accidentally touching any other nearby components or soldered pads.

**80m important note:** the 180pF capacitor supplied has a 0.2-inch (5.08mm) pin spacing. But the holes on the PCB are spaced 0.1-inch (2.5mm). It is necessary to squeeze the capacitors wires carefully closer together to fit the PCB holes.

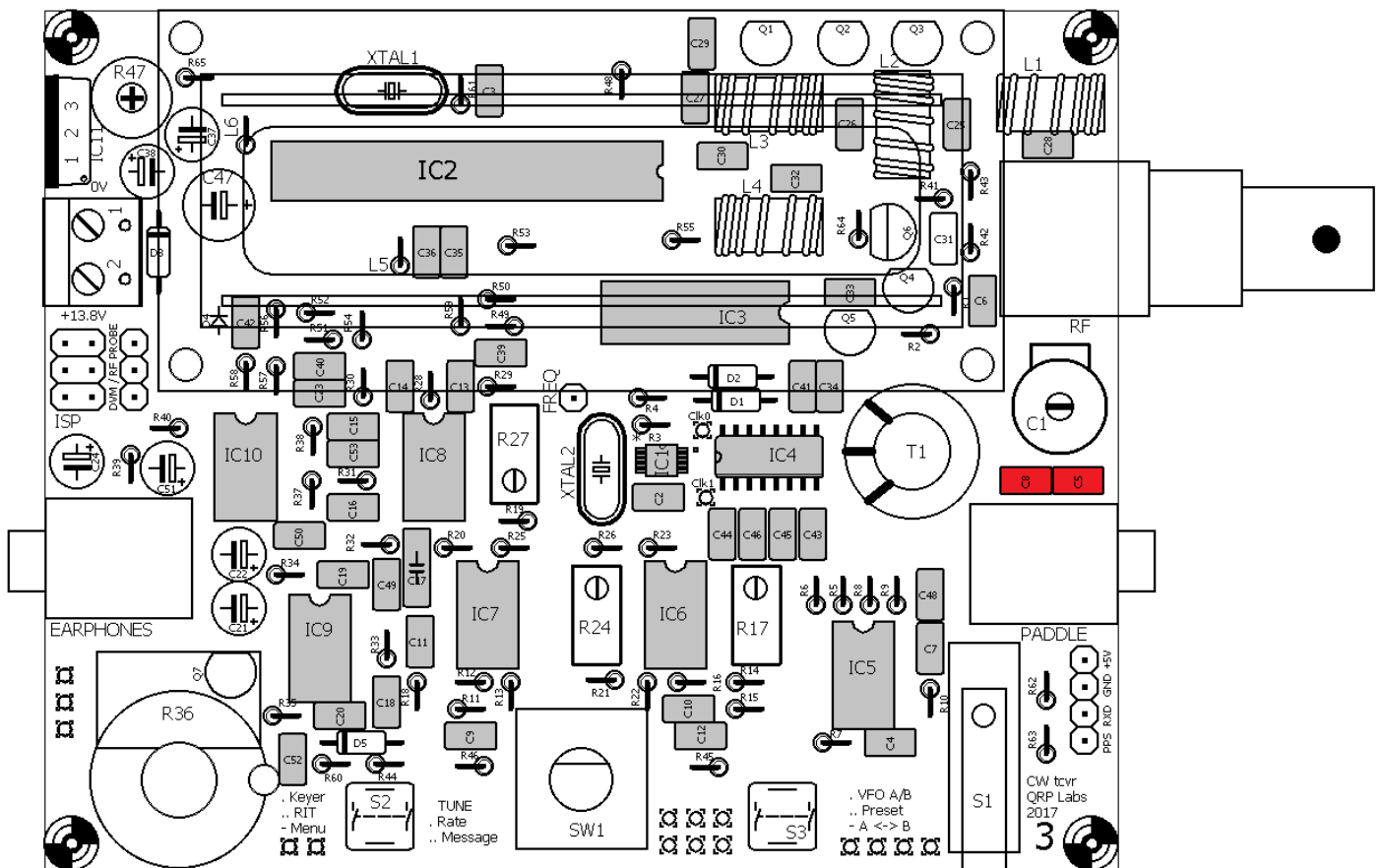




### 3.15 Install capacitors C5 and C8

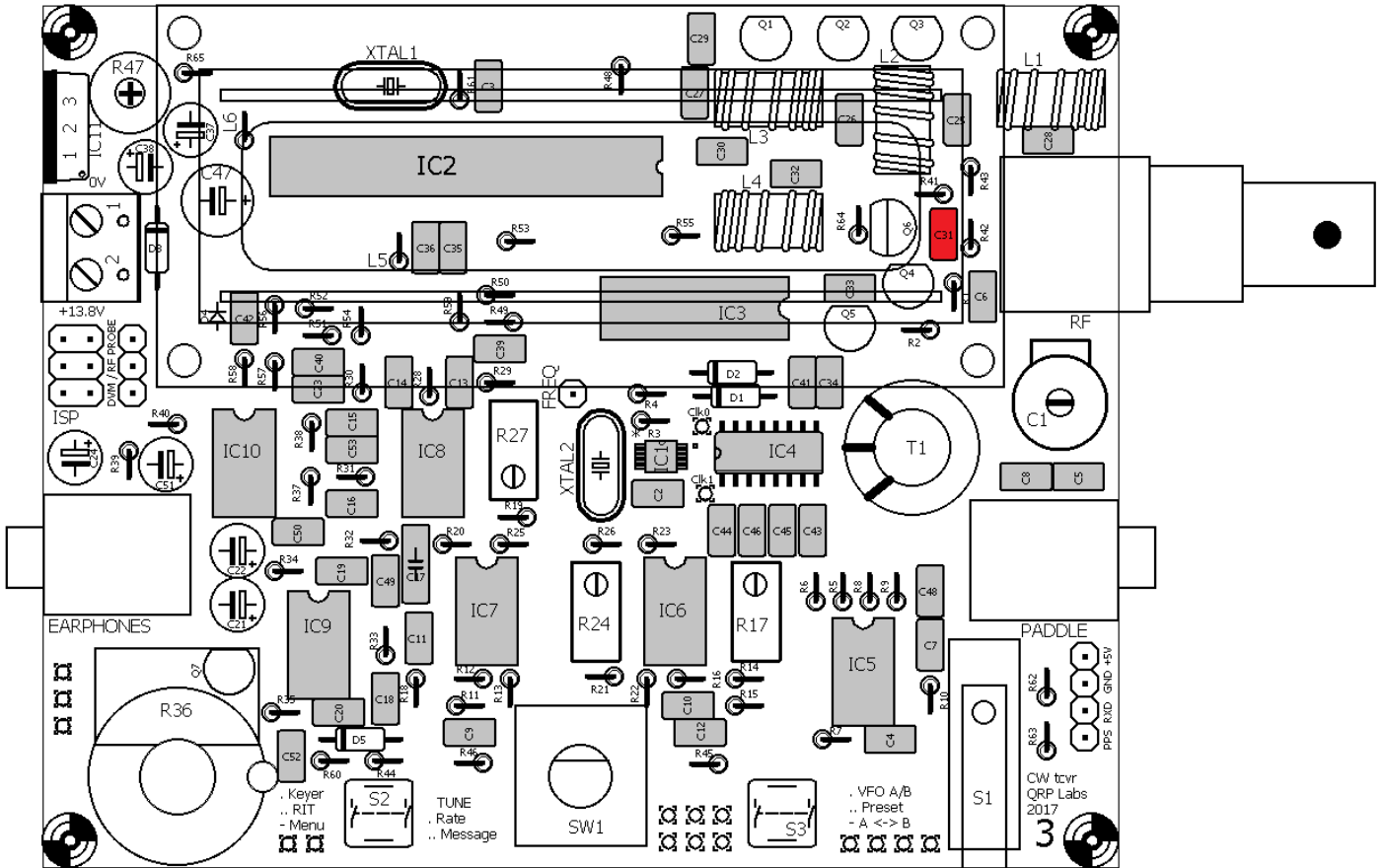
These capacitors are band dependent. They add parallel capacitance to trimmer capacitor C1 to bring it to the required value. The kit contains all required capacitor values. Install the capacitor(s) appropriate to your band. Refer to the following table to find the correct capacitor value(s) for your band. Where “none” is indicated in the table, do not install the corresponding capacitor.

Band	C5 Value	C5 Label	C8 value	C8 Label
80m	39pF	“390”	22pF	“220”
60m	39pF	“390”	22pF	“220”
40m	39pF	“390”	none	
30m	22pF	“220”	none	
20m	none		none	
17m	none		none	



### 3.16 Install 1uF, "105" capacitor

The 1uF capacitor is labelled "105" and is C31.



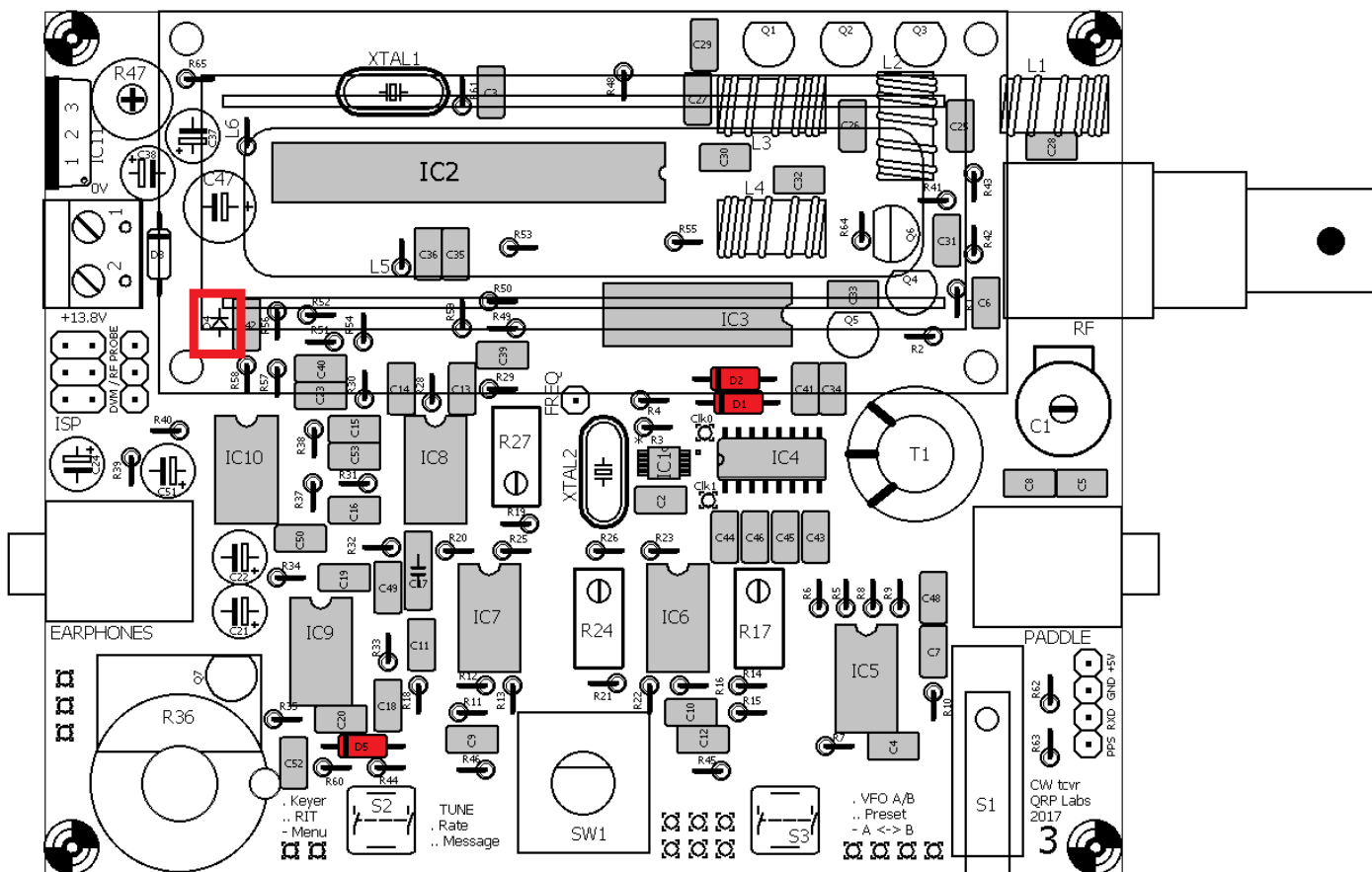
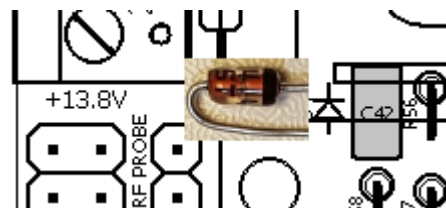
### 3.17 Install 1N4148 diodes

There are 4 small glass red-ish coloured diodes, D1, D2, D4 and D5. Note that D1, D2 and D5 are installed flat on the PCB (see photo, right). D4 is installed vertically, (see photo, far right).



In all cases it is critical to install the diodes the right way around, these are a polarised component and must only be installed in the PCB with the correct orientation! In the case of D1, D2 and D5, the PCB silkscreen printing shows a white stripe at the end of the diode body which must match the black stripe on the left end of the diode (photo above).

For D4, the black stripe on the diode body must be orientated with the horizontal bar of the diode symbol on the layout diagram (see photo, right). D4 is mounted vertically. The location of D4 is indicated by the red square, near the top left of the diagram below.

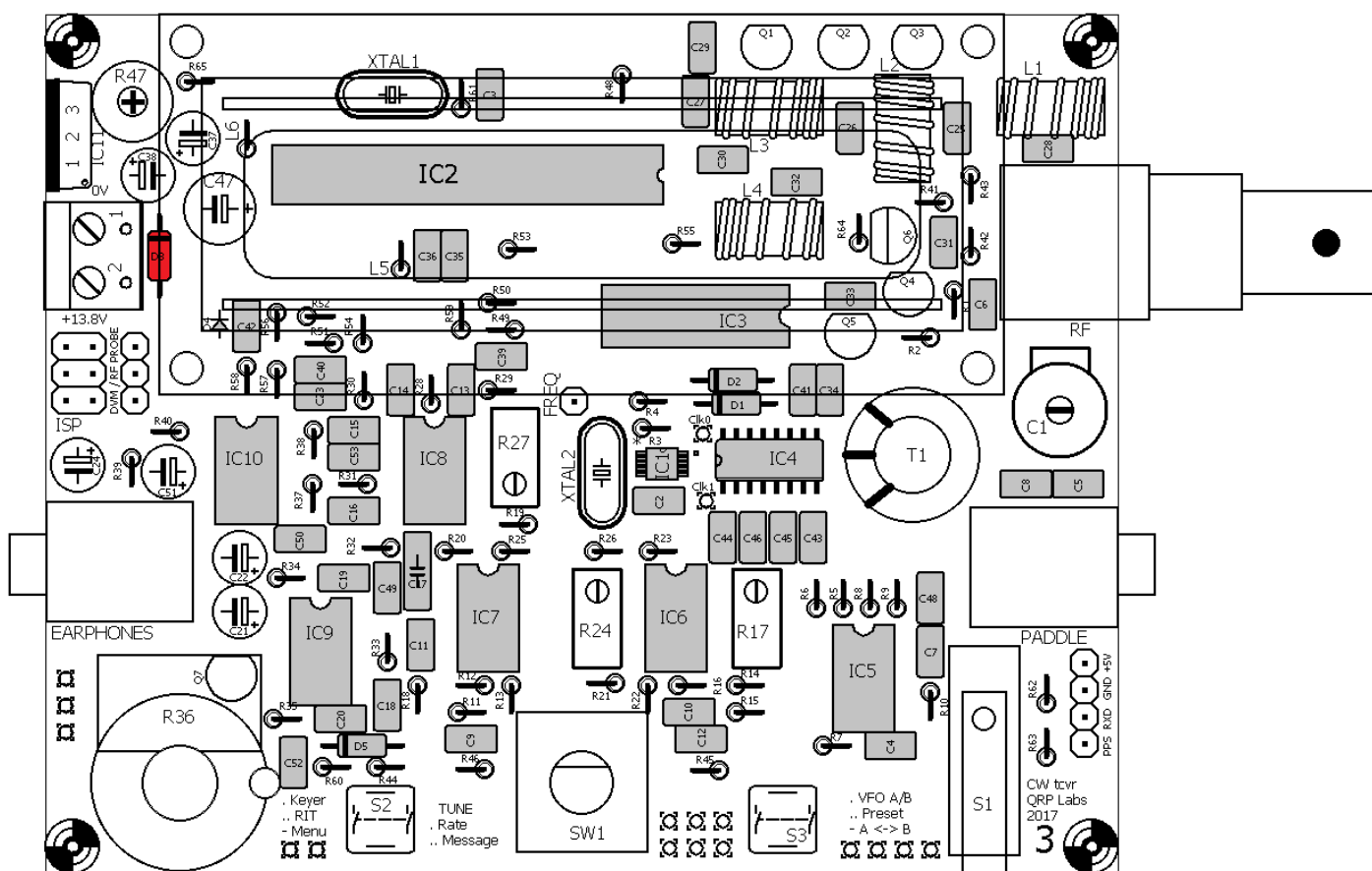


### 3.18 Install 1N5819 diode

This diode D3 is the larger diode with a black body, and a white stripe. It is installed horizontally. Again, it must be orientated correctly, with the white stripe on the diode matching the white stripe on the PCB.

This diode protects the radio against reverse polarity. So that if you connect the power to the board the wrong way around, you do not destroy it. A Schottky diode is used because the forward conducting voltage drop is less than an ordinary diode. However, on transmit, the voltage drop across this diode can still be up to 400mV. This reduction in voltage does slightly decrease the output power.

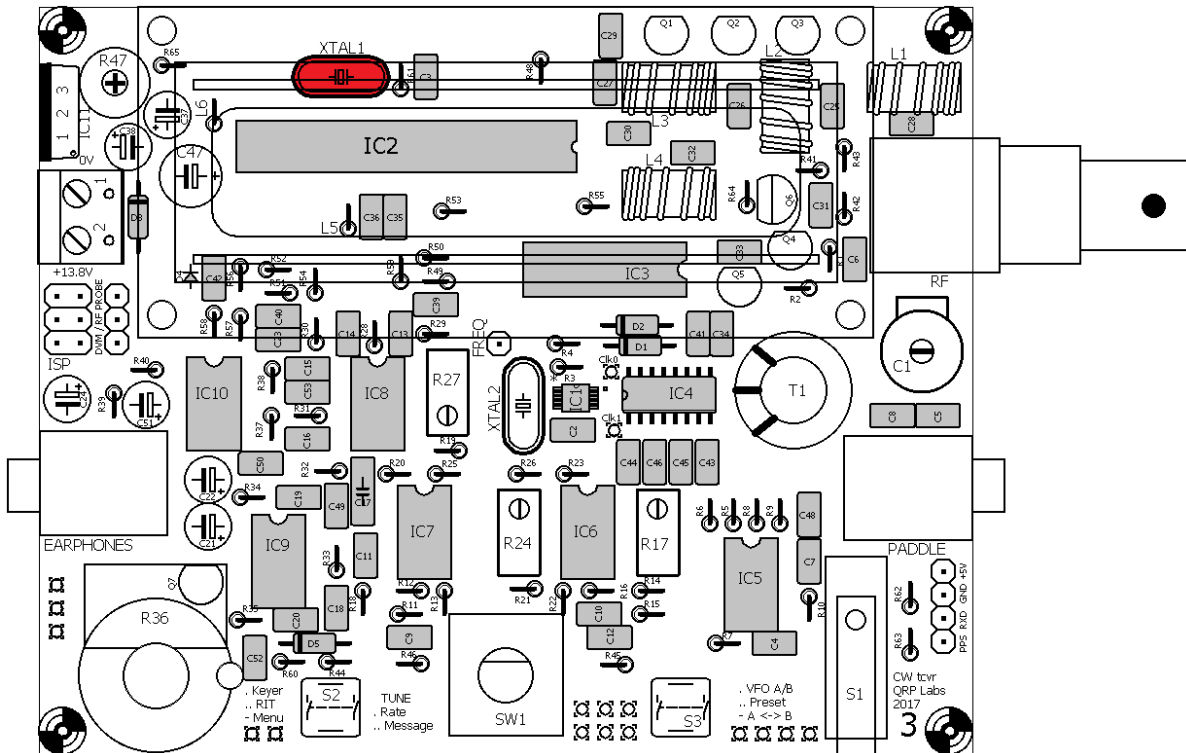
IF you want to squeeze every last milliwatt of output power out of the radio, and IF you trust yourself NEVER to connect the power supply in reverse by mistake, then if you just install a jumper wire instead of D3, it would give you a little higher RF power output.





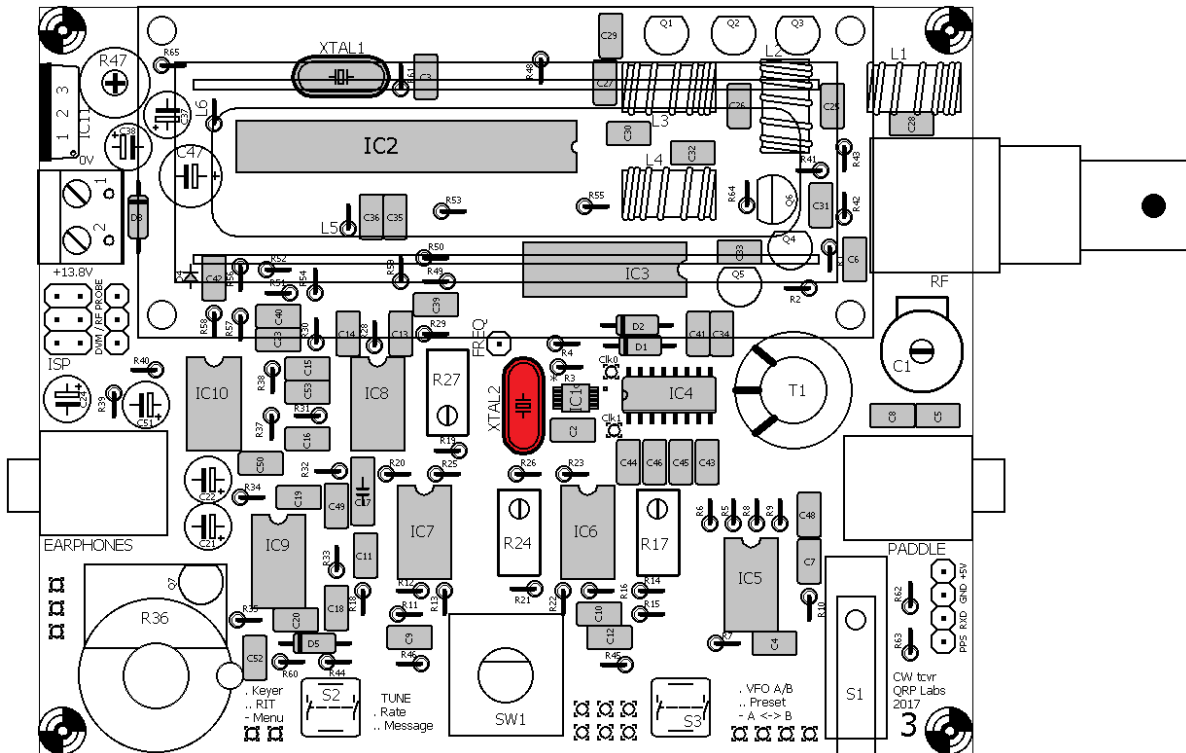
### 3.19 Install 20MHz crystal XTAL1

The engraving on this crystal is "20.000".



### 3.20 Install 27MHz crystal XTAL2

The engraving on this crystal is "27.000".

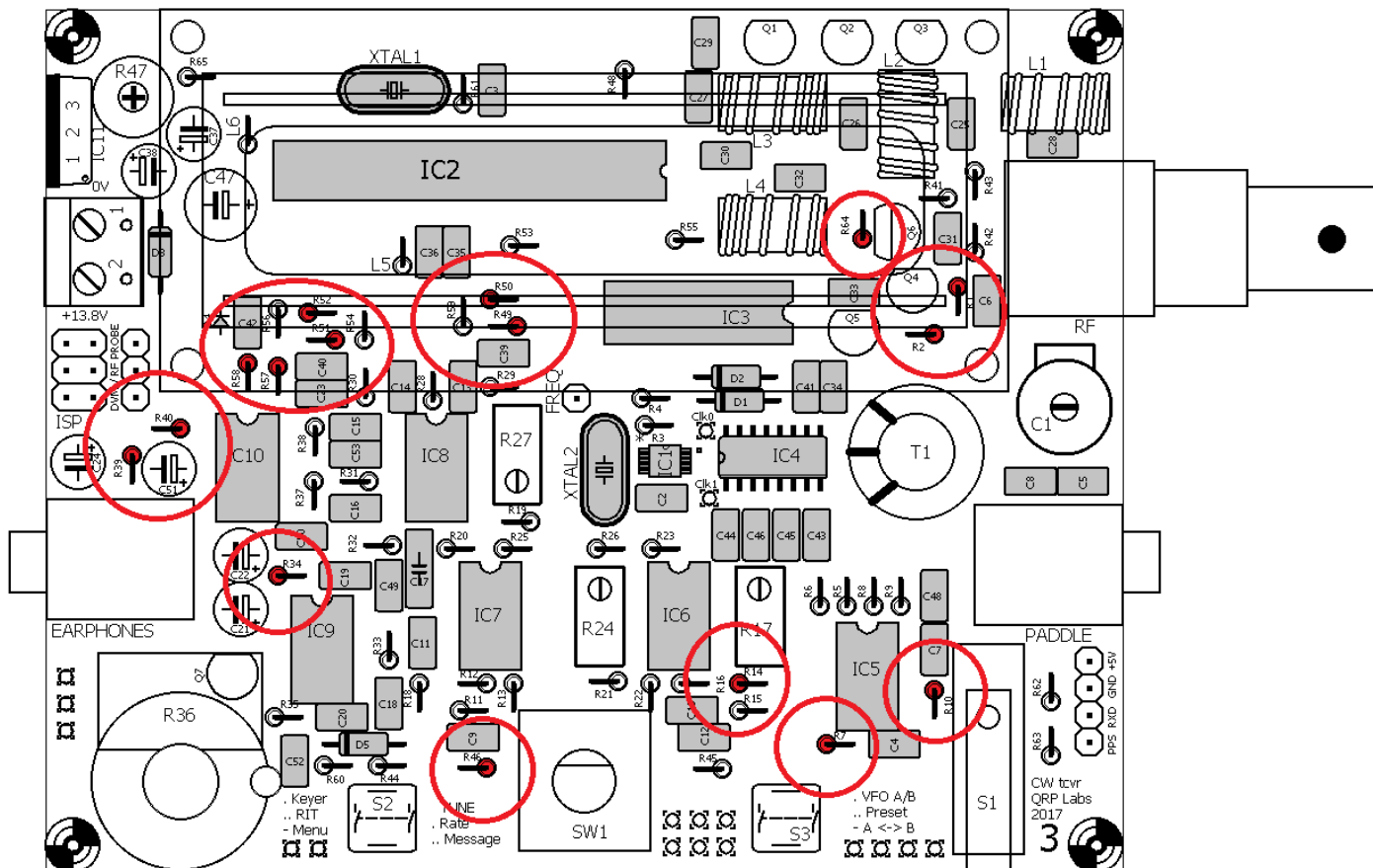


### 3.21 Install all 10K resistors

There are 16 10K resistors in the kit, these are R1, R2, R7, R10, R14, R34, R39, R40, R46, R49, R50, R51, R52, R57, R58 and R64. The colour code is brown-black-black-red-brown. All of the resistors in the kit are installed vertically (see photo, right).

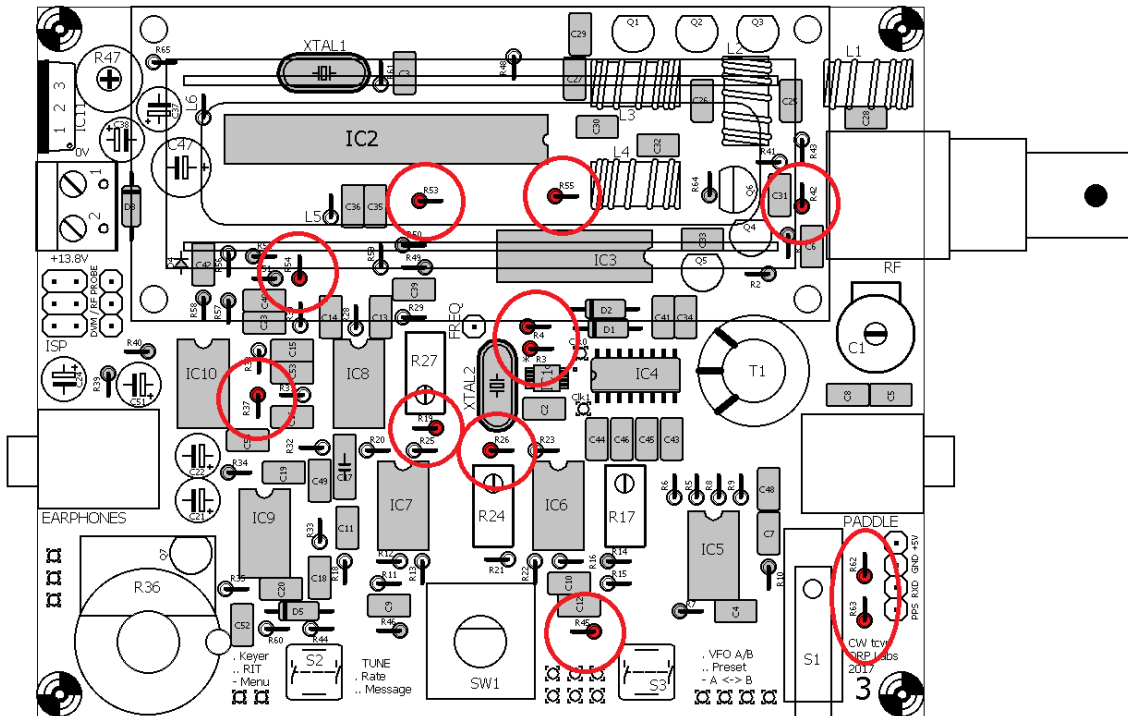


Resistors are not polarised components and it does not matter which way around they are installed. For simplicity I recommend installing the body end of the resistor next to the circle on the PCB silkscreen (and the layout diagrams).



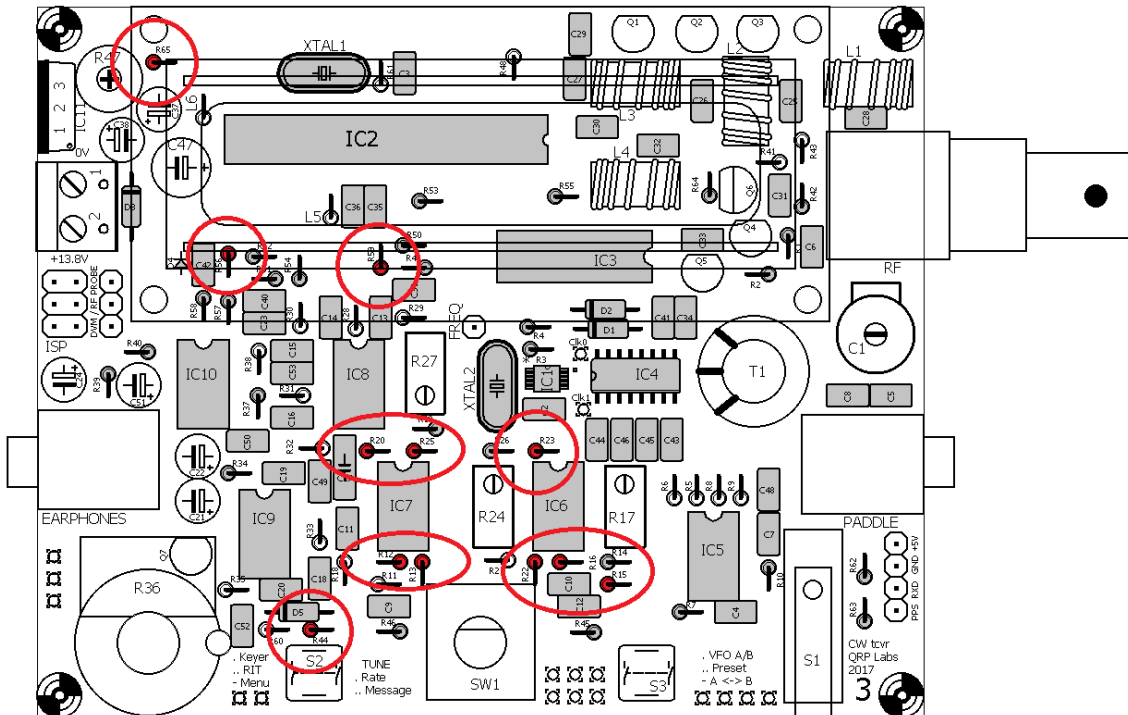
### 3.22 Install all 1K resistors

There are 12 1K resistors in the kit, these are R3, R4, R19, R26, R37, R42, R45, R53, R54, R55, R62 and R63. The colour code is brown-black-black-brown-brown.



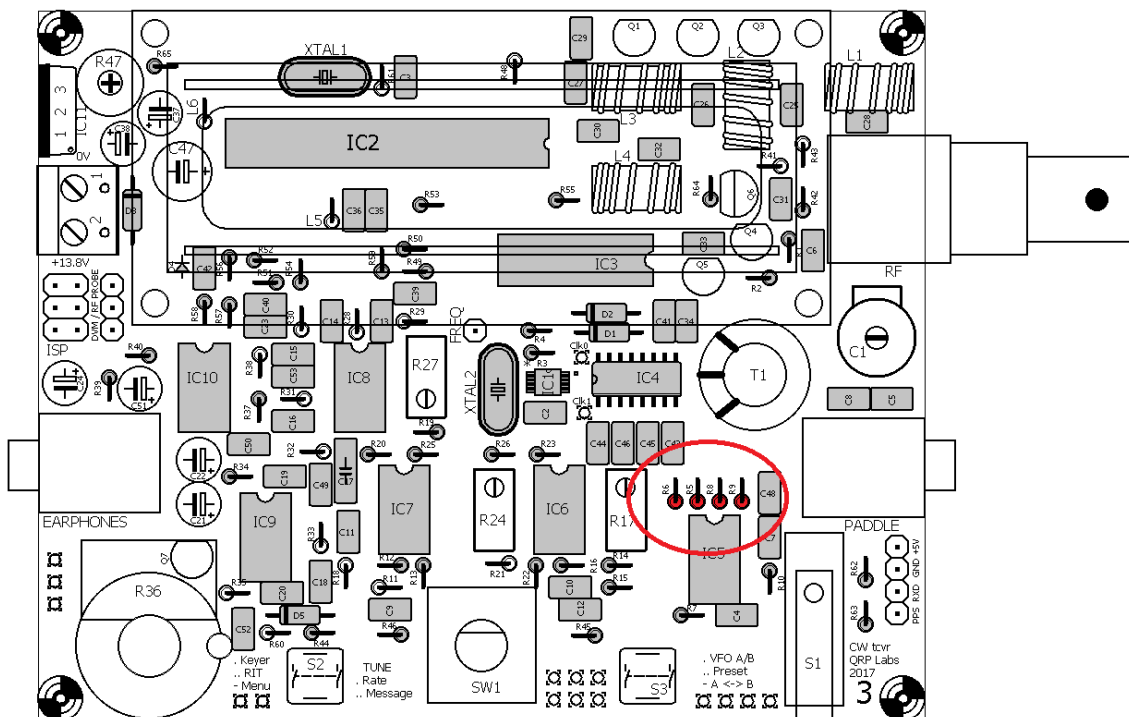
### 3.23 Install all 3.3K resistors

There are 12 3.3K resistors in the kit, these are R12, R13, R15, R16, R20, R22, R23, R25, R44, R56, R59 and R65. The colour code is orange-orange-black-brown-brown.



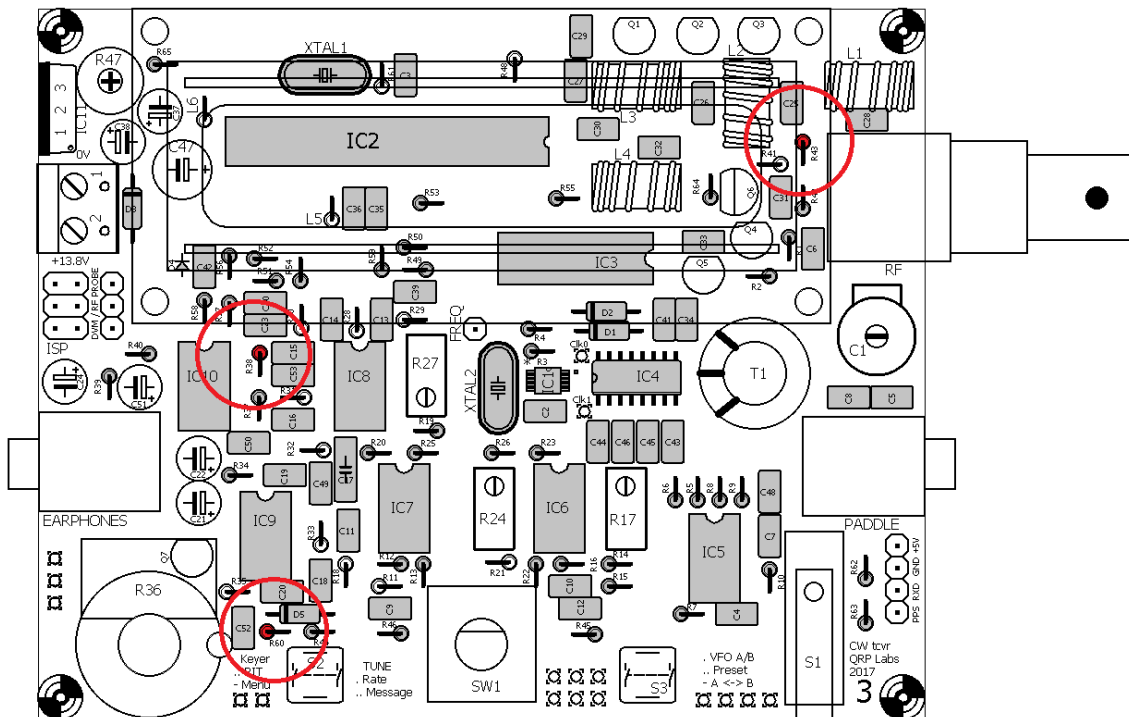
### 3.24 Install all 100-ohm resistors

There are four 100-ohm resistors in the kit, these are R5, R6, R8 and R9. The colour code is brown-black-black-black-brown.



### 3.25 Install 120K resistors

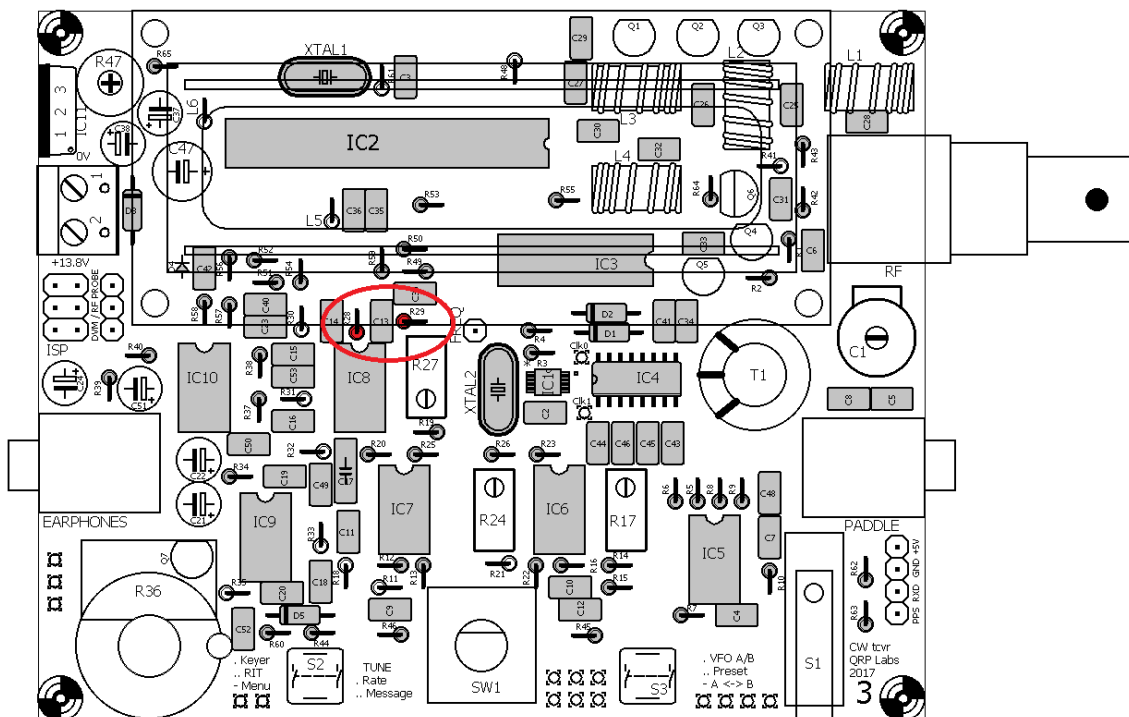
There are three 120K resistors in the kit, these are R38, R43 and R60. The colour code is brown-red-black-orange-brown.





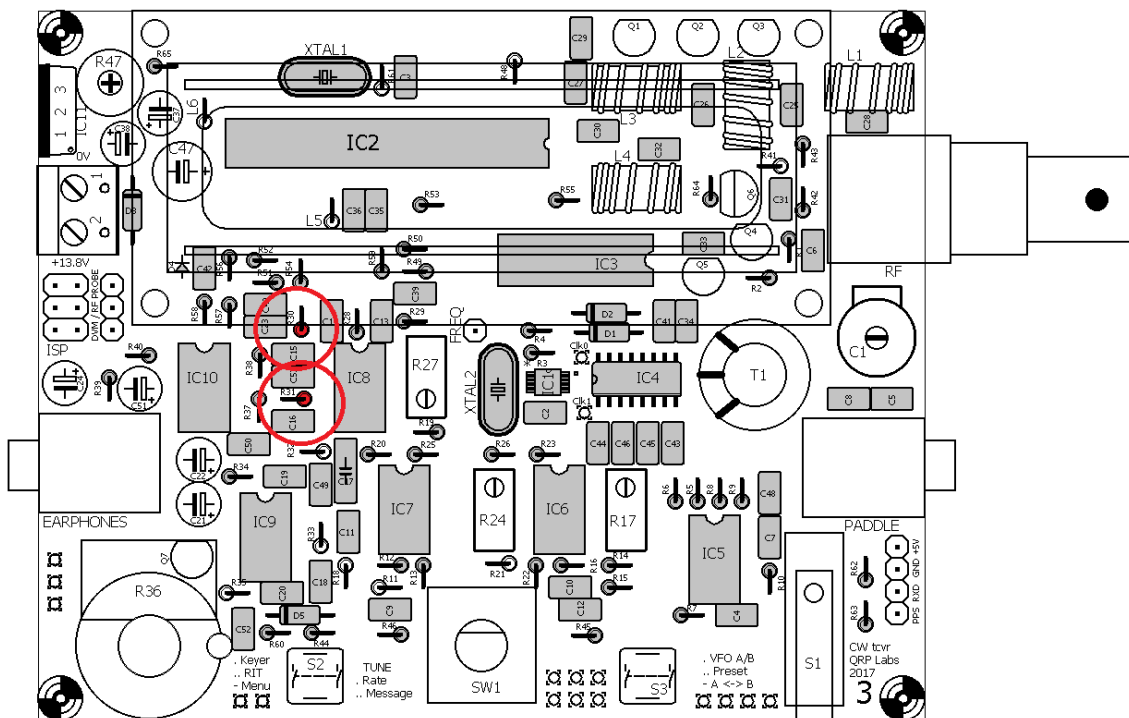
### 3.26 Install 33K resistors

There are two 33K resistors in the kit, these are R28 and R29. The colour code is orange-orange-black-red-brown.



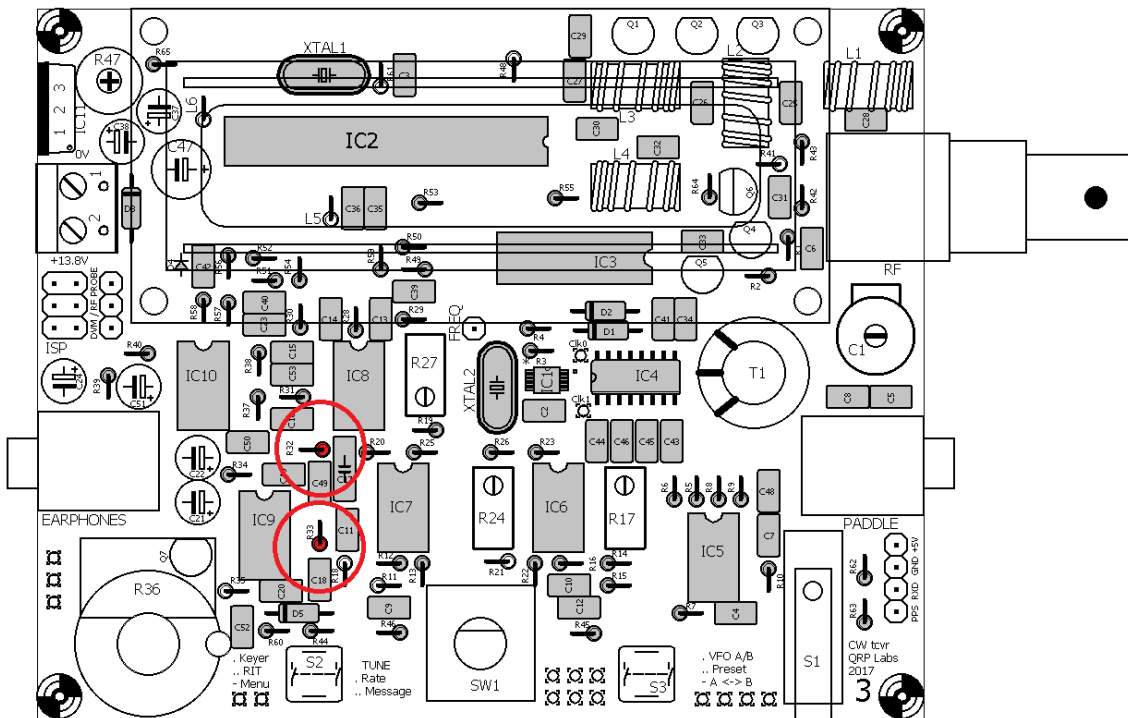
### 3.27 Install 47K resistors

There are two 47K resistors in the kit, these are R30 and R31. The colour code is yellow-purple-black-red-brown.



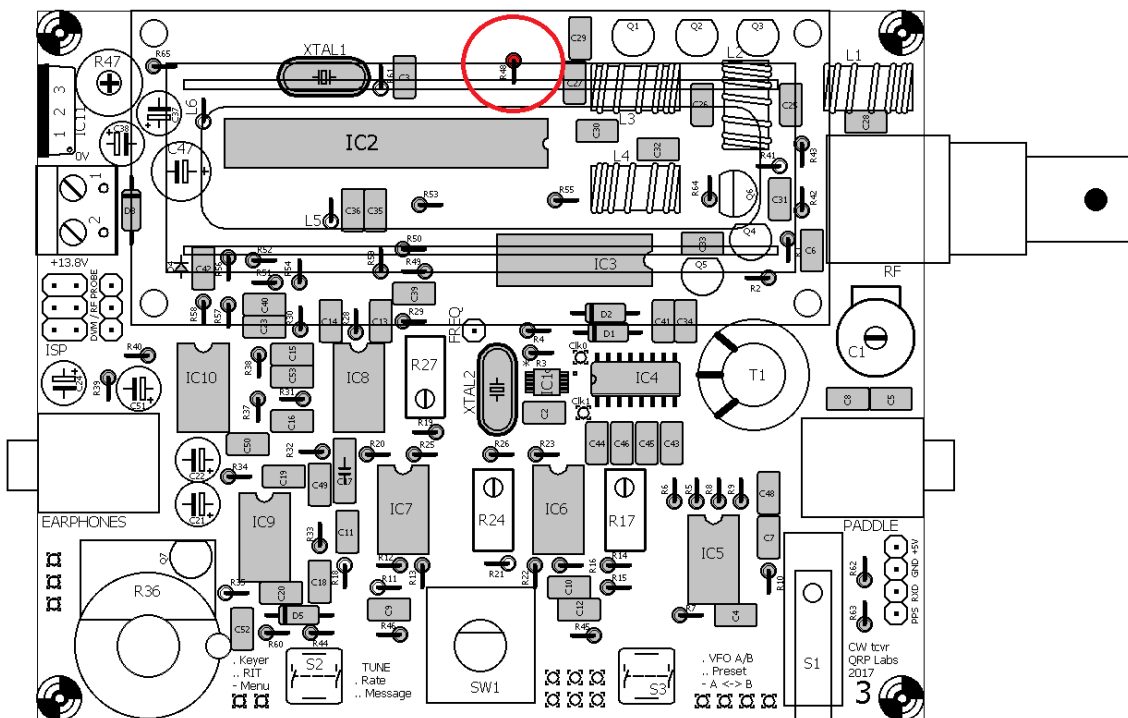
### 3.28 Install 36K resistors

There are two 36K resistors in the kit, these are R32 and R33. The colour code is orange-blue-black-red-brown.



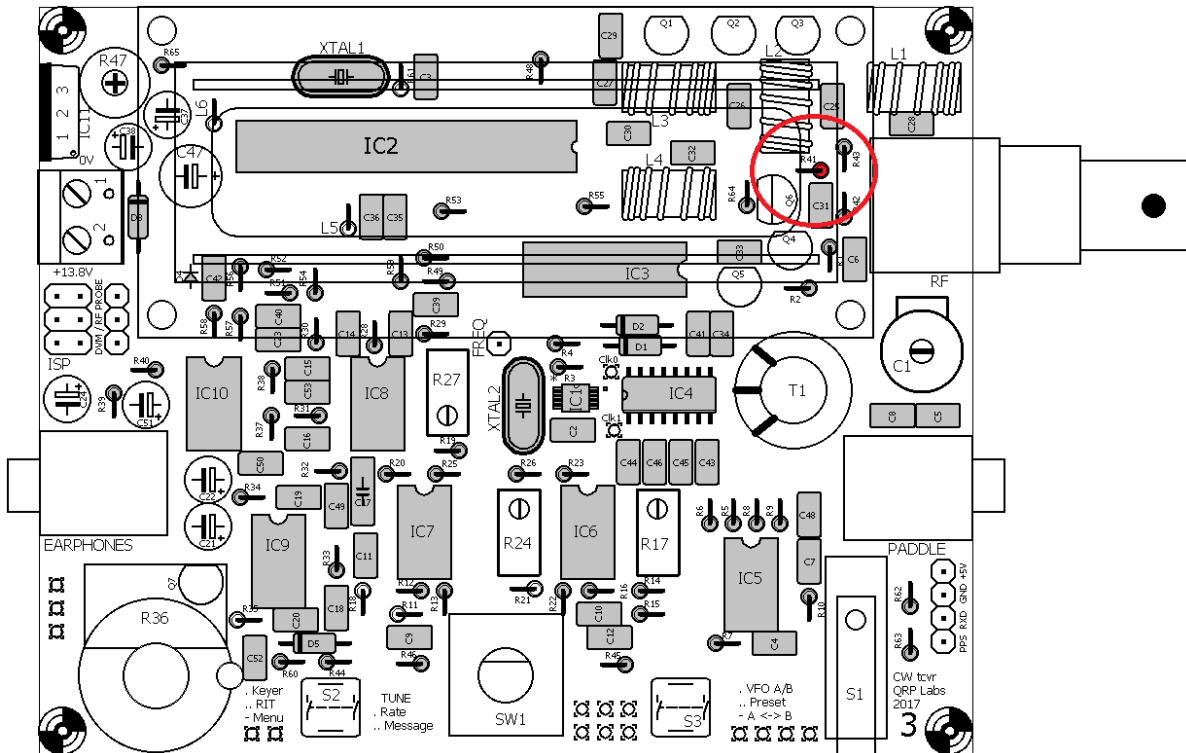
### 3.29 Install 270-ohm resistor R48

This resistor has colour code red-purple-black-black-brown.



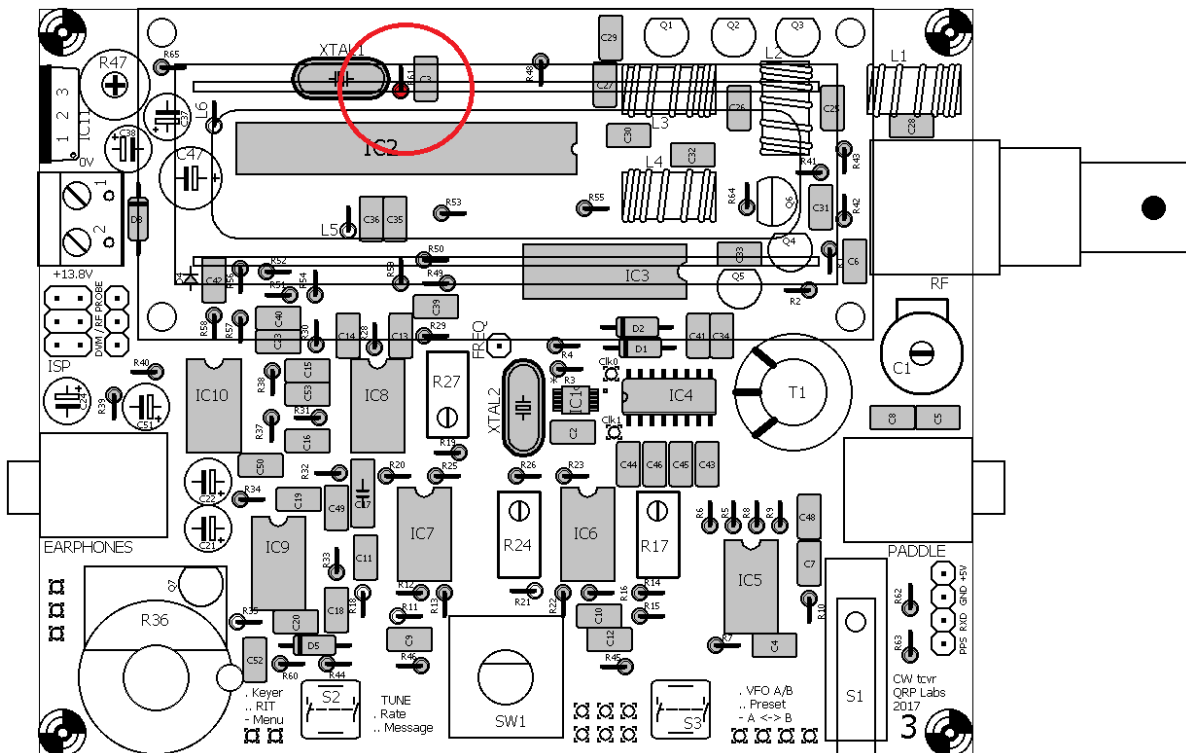
### 3.30 Install 470-ohm resistor R41

This resistor has colour code yellow-purple-black-black-brown.



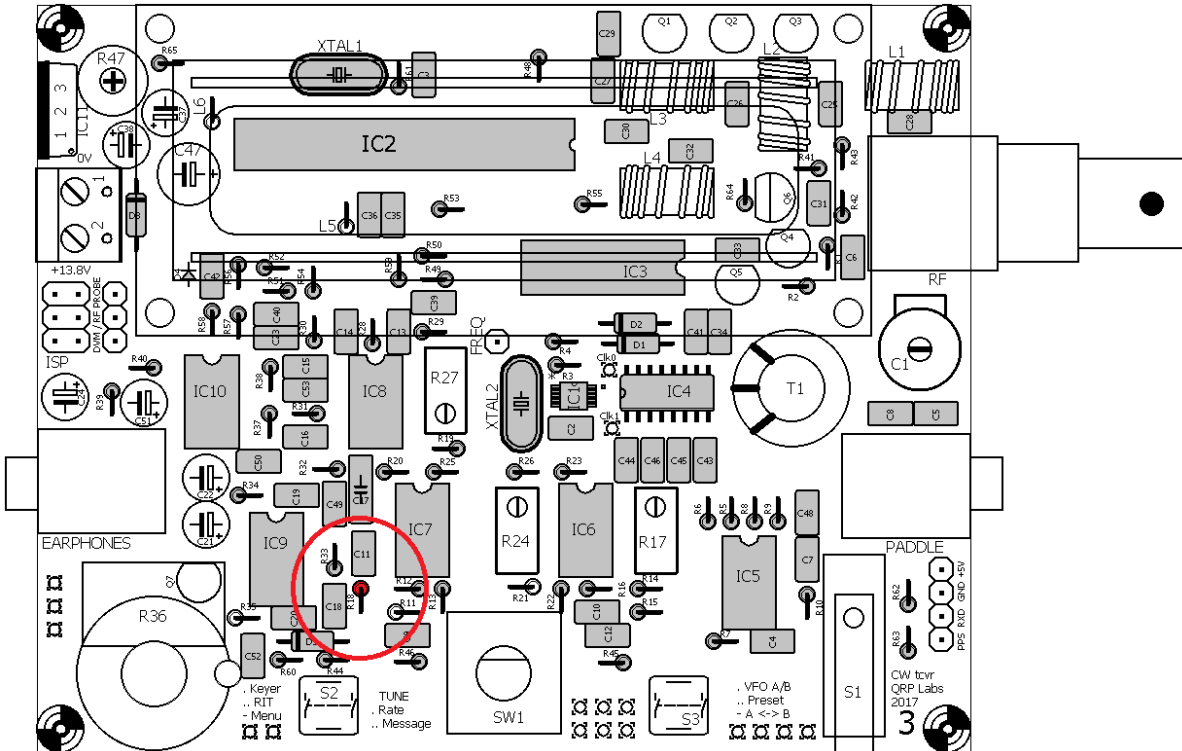
### 3.31 Install 3.9K resistor R61

This resistor has colour code orange-white-black-brown-brown.



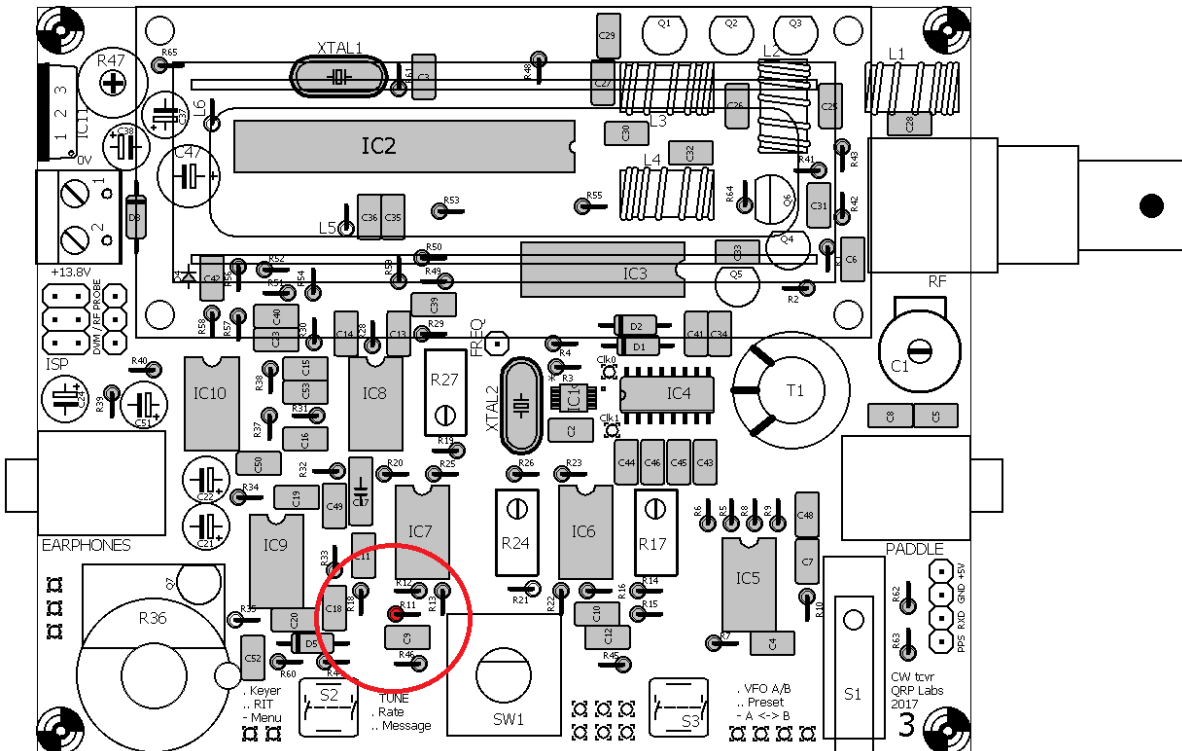
### 3.32 Install 4.3K resistor R18

This resistor has colour code yellow-orange-black-brown-brown.



### 3.33 Install 5.1K resistor R11

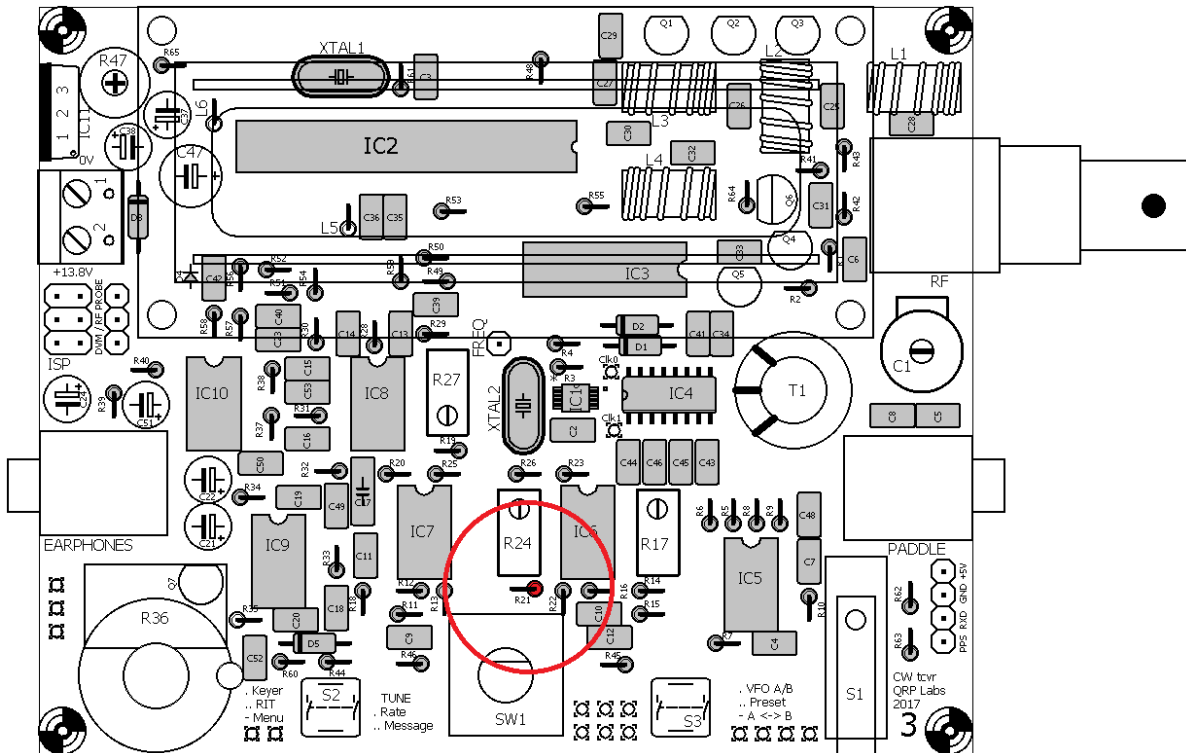
This resistor has colour code green-brown-black-brown-brown.





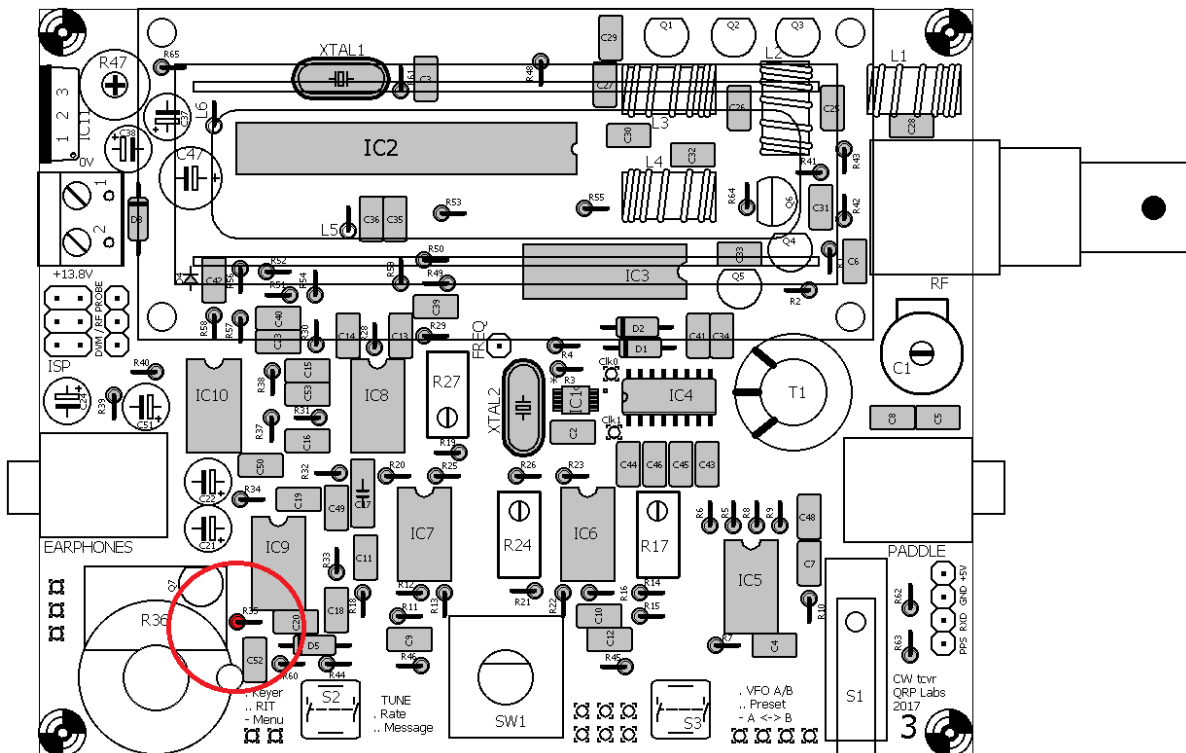
### 3.34 Install 7.5K resistor R21

This resistor has colour code purple-green-black-brown-brown.



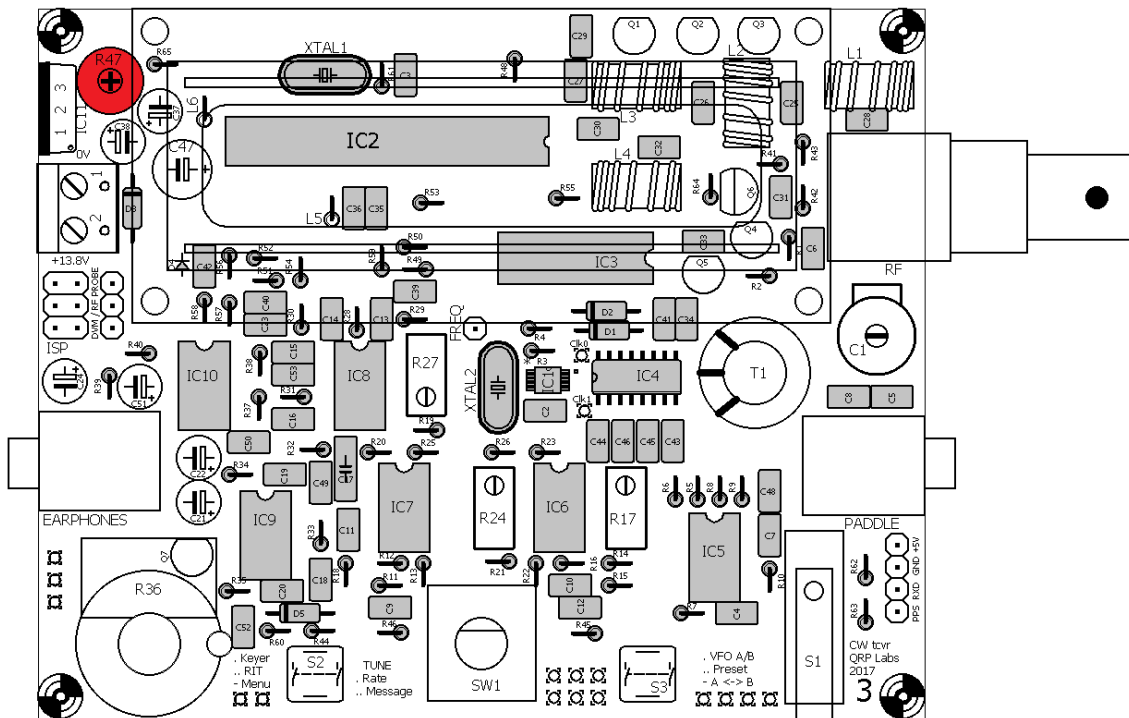
### 3.35 Install 750K resistor R35

This resistor has colour code purple-green-black-orange-brown.



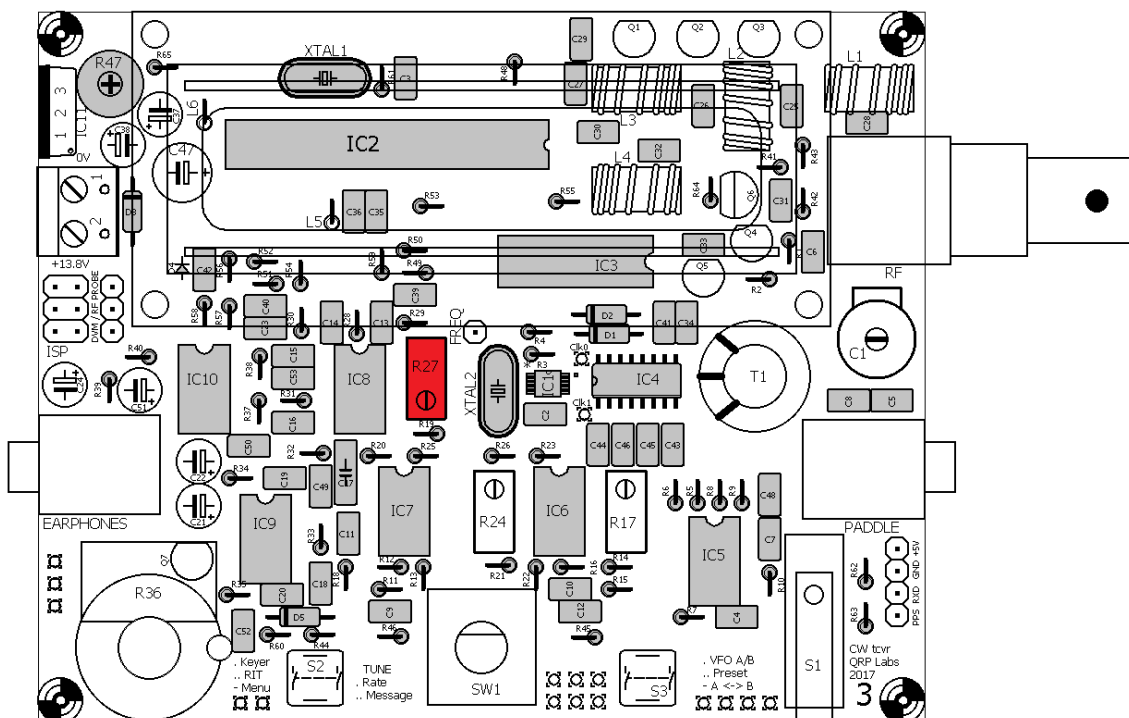
### 3.36 Install 22K trimmer potentiometer R47

This is the LCD contrast potentiometer. The label on R47 is "223". Carefully apply firm pressure to install the component pins in the holes without bending them.



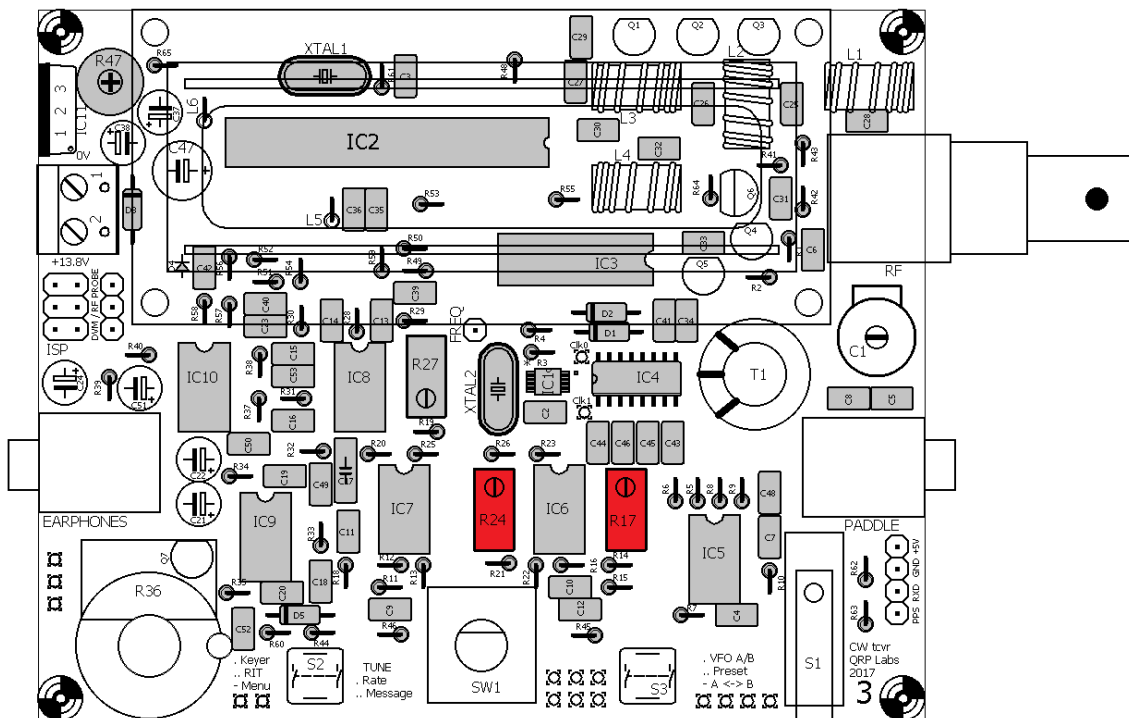
### 3.37 Install 500-ohm multi-turn trimmer potentiometer

This resistor is the small blue box component with label "501". It is R27. Make sure that the orientation is correct. **The screw on the resistor must match the screw on the PCB silkscreen and layout diagram.**



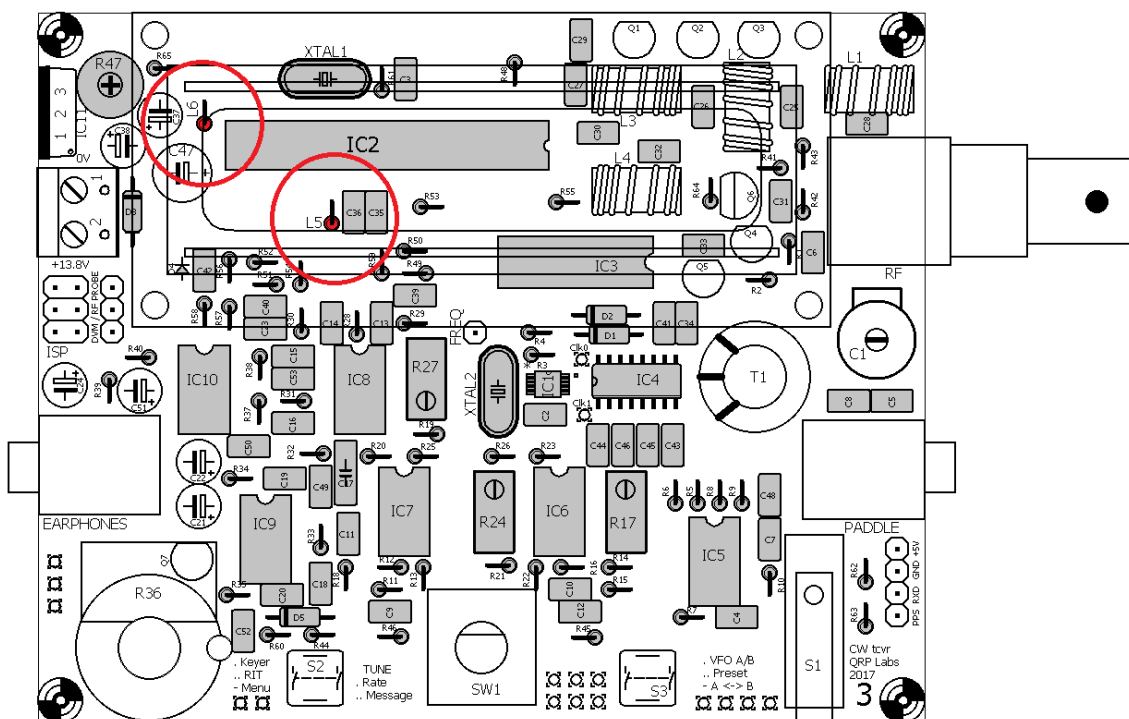
### 3.38 Install 50K multi-turn trimmer potentiometers

There are two 50K multi-turn trimmer potentiometers, R17 and R24. They are the small blue box components with label "503". Make sure that the orientations are correct. **The screws on the resistors must match the screws on the PCB silkscreen and layout diagram.**



### 3.39 Install two 100uH inductors

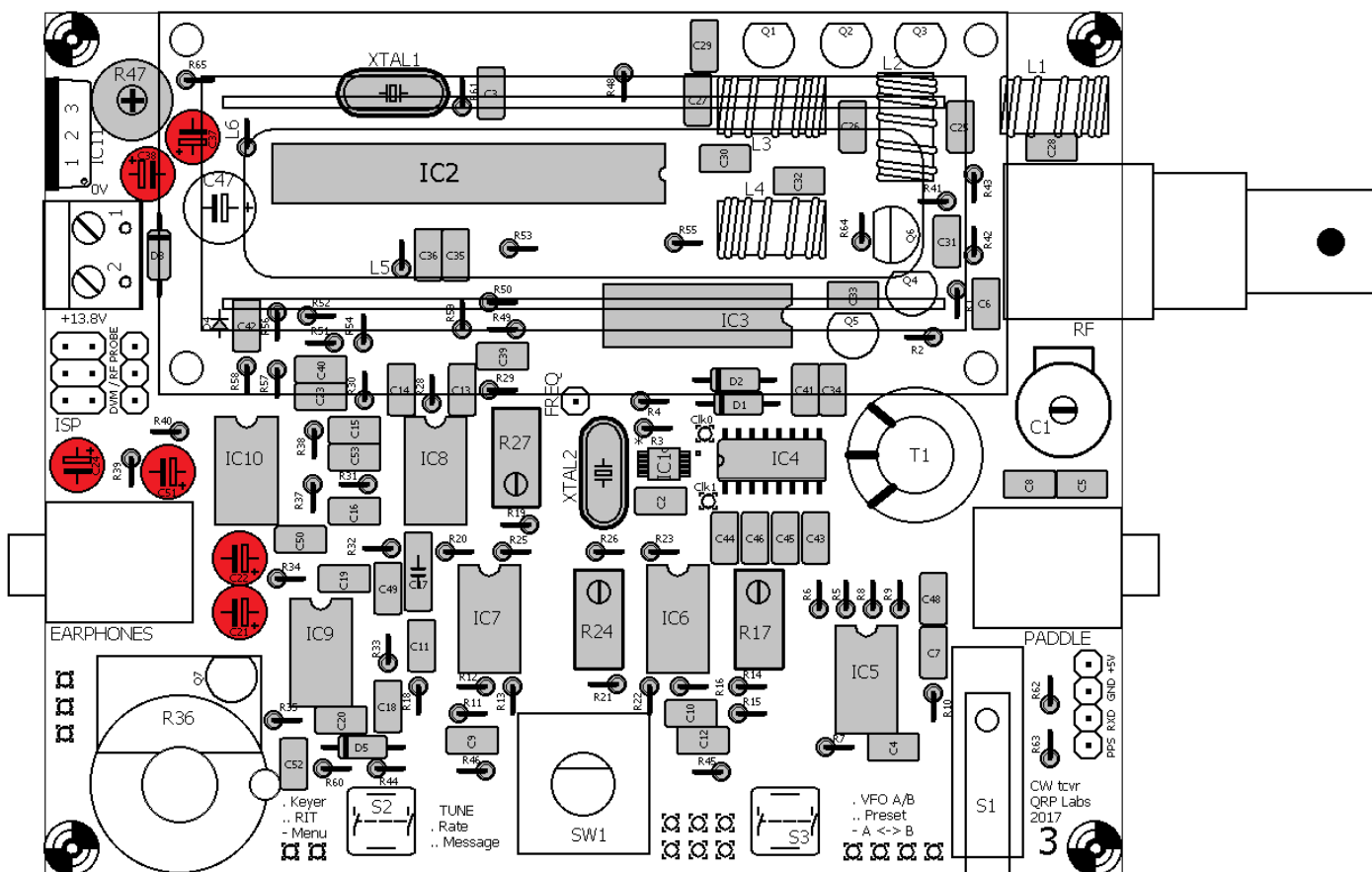
There are two 100uH inductors, L5 and L6. These look like short fat resistors. They are installed vertically on the PCB, in the same way as the resistors are installed.



### 3.40 Install 10uF capacitors

There are six 10uF capacitors in the kit: C21, C22, C24, C37, C38 and C51. These are polarised electrolytic capacitors and MUST be installed with the correct orientation! The capacitor NEGATIVE wire must be installed in the hole indicated on the PCB silkscreen and the layout diagram by the solid black bar; the POSITIVE wire must be installed in the hole indicated on the PCB silkscreen and the layout diagram by the hollow bar and the + symbol.

Electrolytic capacitors are also supplied with one wire longer than the other. The + wire is the longer wire, the - wire is the shorter one (see photo, right).

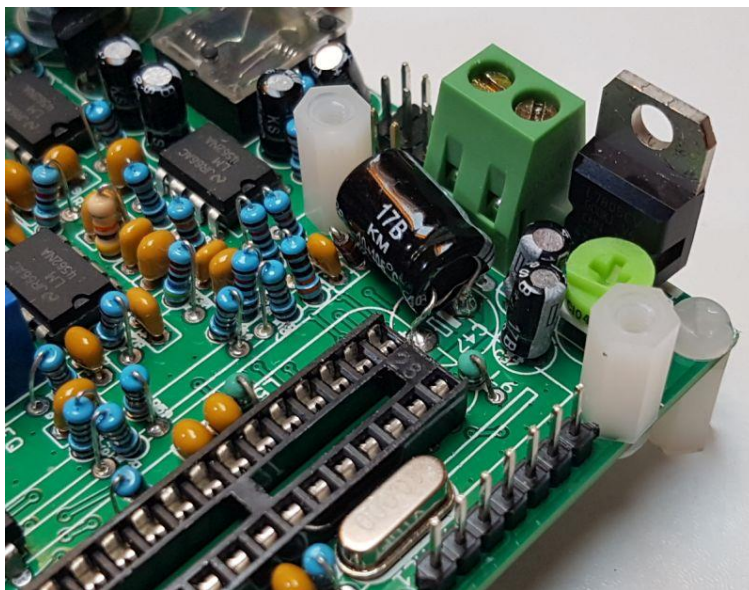




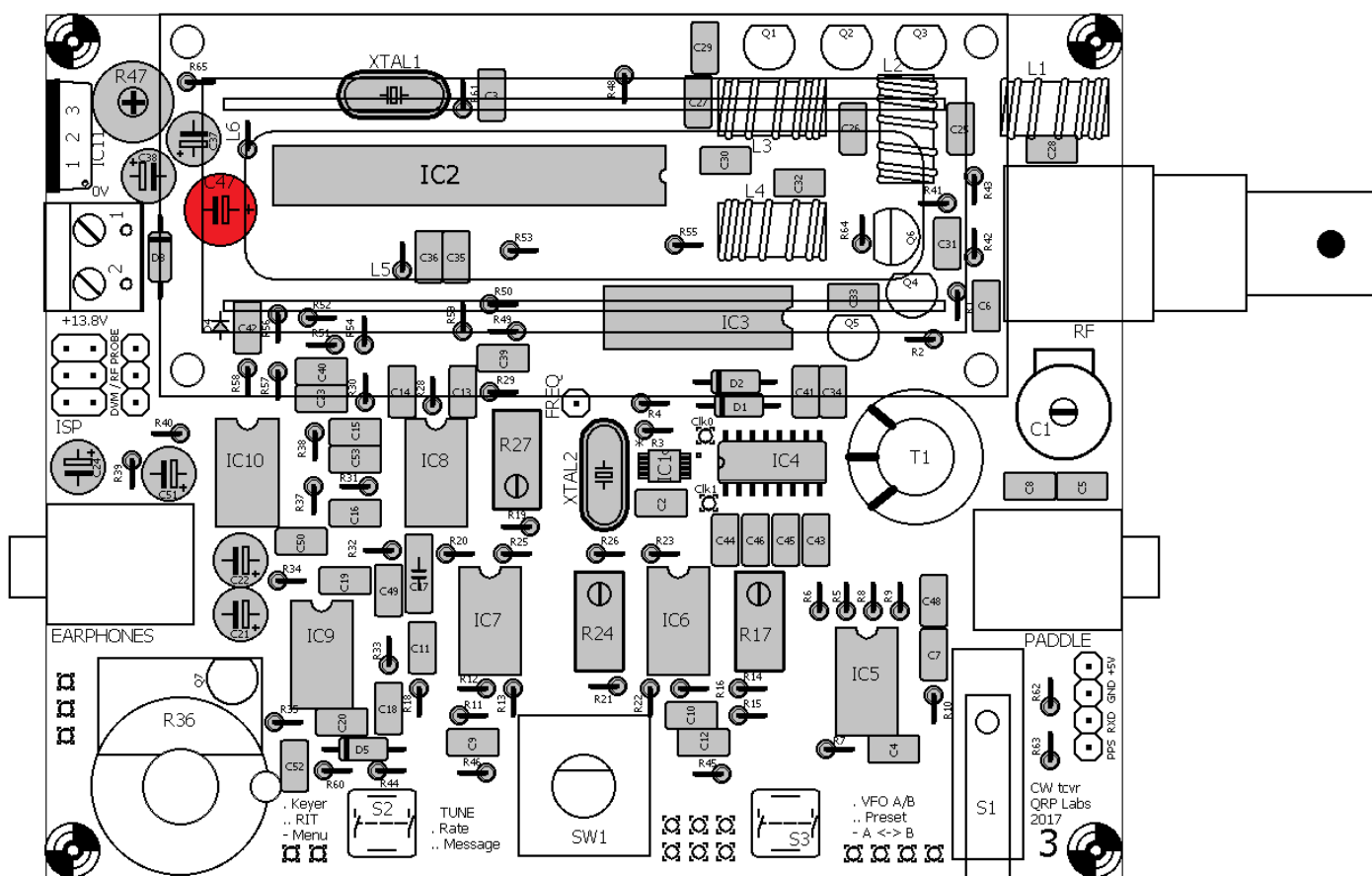
### 3.41 Install 470uF capacitor C47

This capacitor is also a polarised electrolytic and must be orientated correctly (see former section).

The height dimension of the supplied capacitor in the first batch (up to serial number 500) is enough that in some cases, if installed vertically on the PCB, it may touch some components on the bottom of the LCD module, once the LCD module is installed. Therefore, the recommended way to install this capacitor is orientated horizontally. Insert the wires into the holes (carefully putting the correctly polarised wires in the right holes) then bend the wires so that the capacitor lays horizontally over diode D3 (1N5819). Refer to the photograph (right). When the capacitor is in a suitable position, solder the wires as usual.

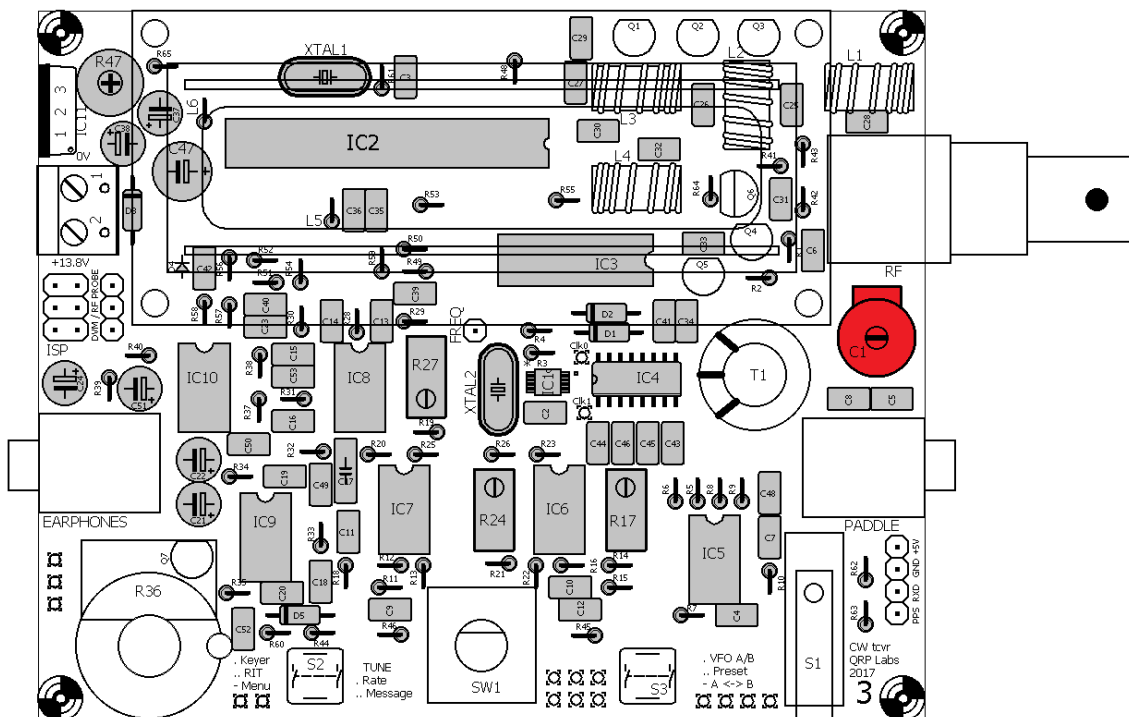


**Kits from subsequent batches (approximately serial number 500 and above) do not need to mount the capacitor horizontally, because the supplied capacitor is small enough to fit under the LCD.**



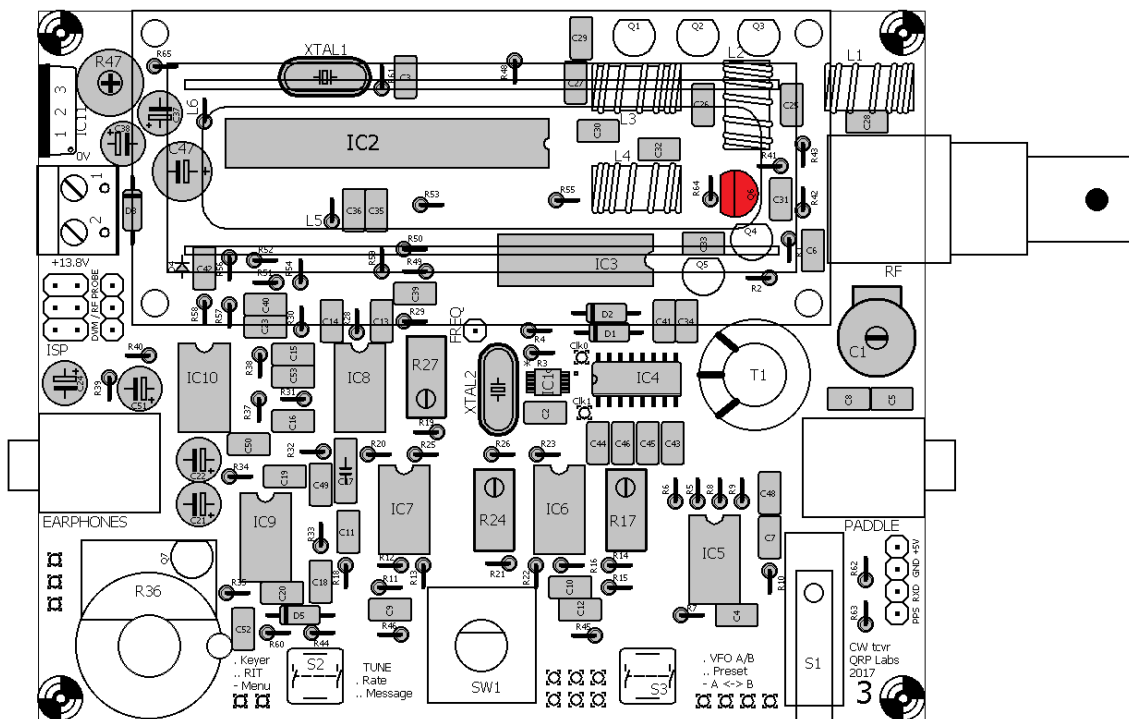
### 3.42 Install 30pF trimmer capacitor C1

Insert the component pins carefully and solder them QUICKLY to avoid overheating the capacitor which could melt the plastic insulating spacers.



### 3.43 Install MPS751 transistor Q6 (MPS2907 in first kit batch)

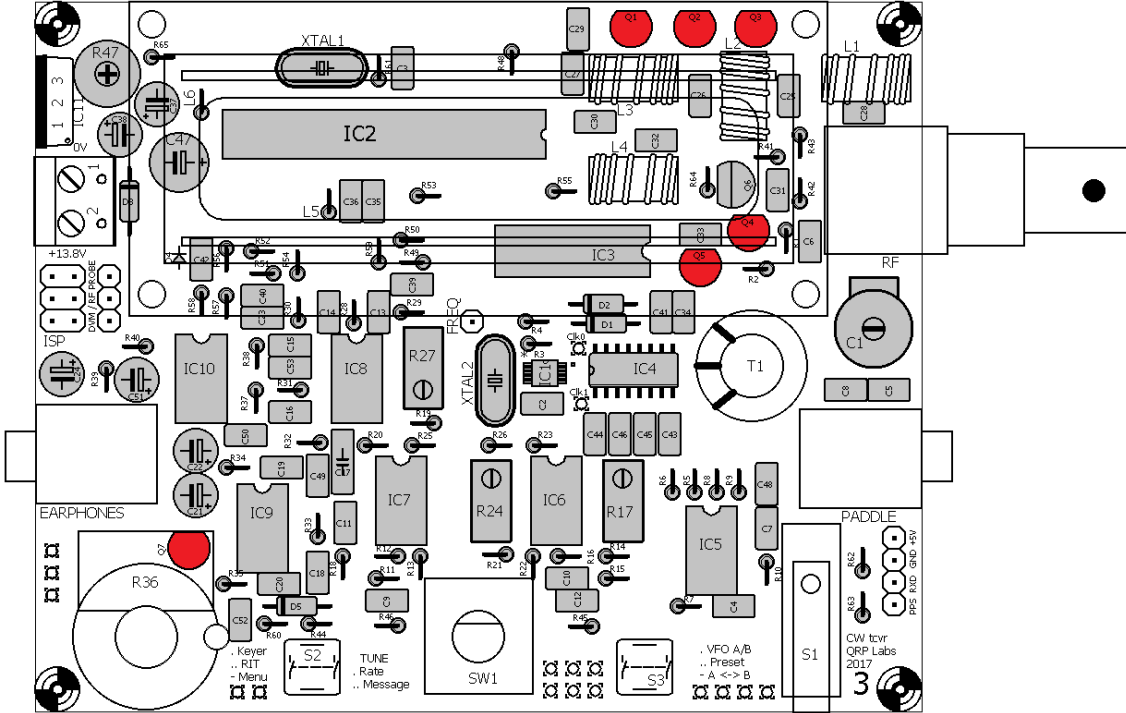
Be careful to correctly identify this transistor by its markings, as the package style is similar to the other transistors. Carefully bend and insert the wires so that the transistor orientation matches the PCB silkscreen and the layout diagram. Carefully push the transistor down towards the PCB until the wires between the PCB and the transistor body are about 5mm long, then solder.



### 3.44 Install all BS170 transistors

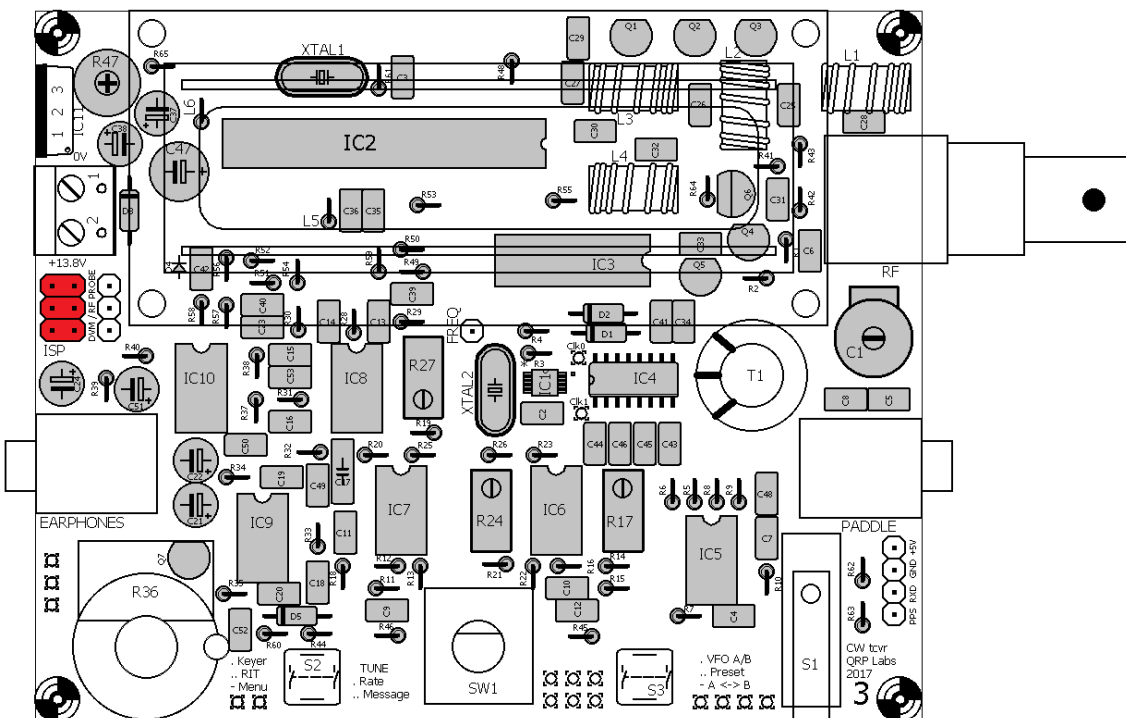
The remaining transistors in the kit are BS170 MOSFETs and there are six of them: Q1, Q2, Q3, Q4, Q5 and Q7. Follow the same installation procedure as the previous section.

Note that Q7 sits under the volume (gain) knob. It is important to ensure that Q7 is pushed down as far as possible towards the board, so that the transistor lead length is only ~4mm, to avoid the top of the transistor blocking the knob.



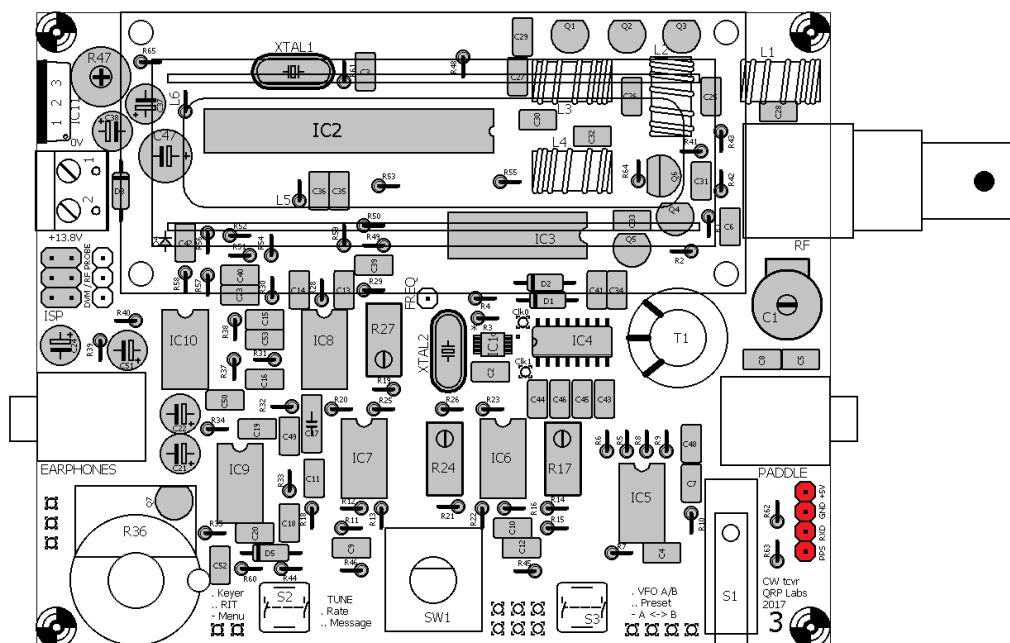
### 3.45 Install 2x3-pin in-circuit programming header

This pin header can be used to connect an AVR Programmer to apply firmware updates if desired. Insert the SHORT end of the pins into the PCB. Solder one pin in place first and check that the header is nicely seated on the PCB before soldering the other 5.



### 3.46 Install 4-pin GPS header

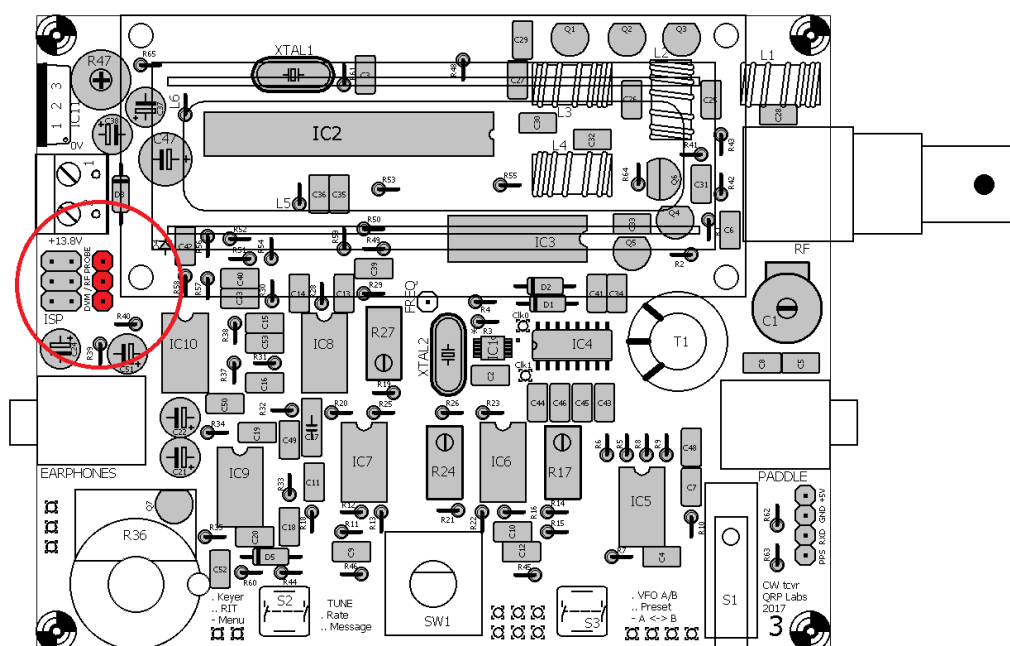
Install a 4-pin header from the Low Pass Filter kit bag, in the position shown. This is used to connect a GPS module if required. Insert the SHORT end of the pins into the PCB.



### 3.47 Install 3-pin DVM/RF detector header

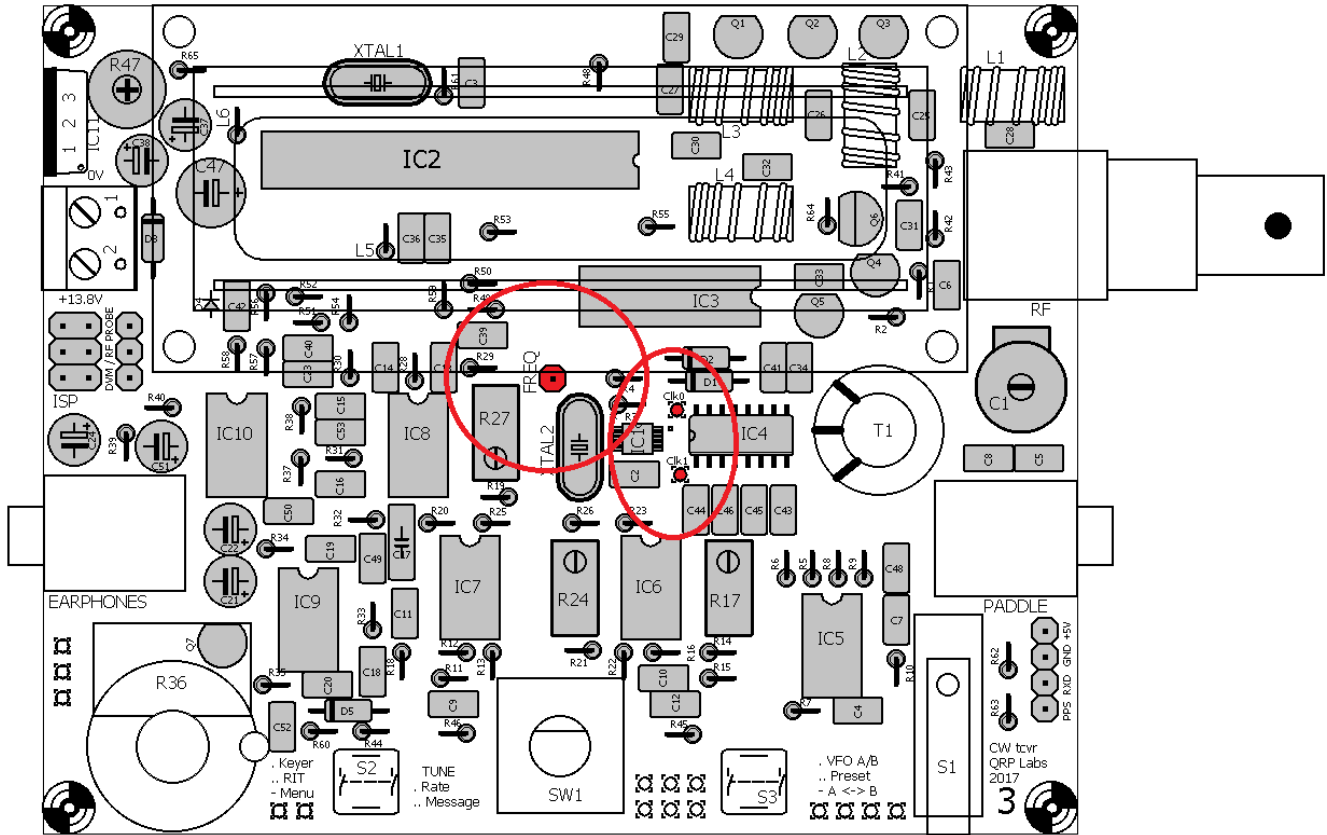
Take the other 4-pin header from the Low Pass Filter kit and carefully cut off 1 pin with a wire-cutter, without damaging its plastic base. The headers are designed to break apart easily like this. Keep the 1-pin section safely.

Install the 3-pin header section as shown. Insert the SHORT end of the pins into the PCB. This is used as the input to the DVM (voltmeter) and RF power meter functions of the kit. You can later jumper pins 1 to 3 to measure the supply voltage with an icon on the LCD during operation.



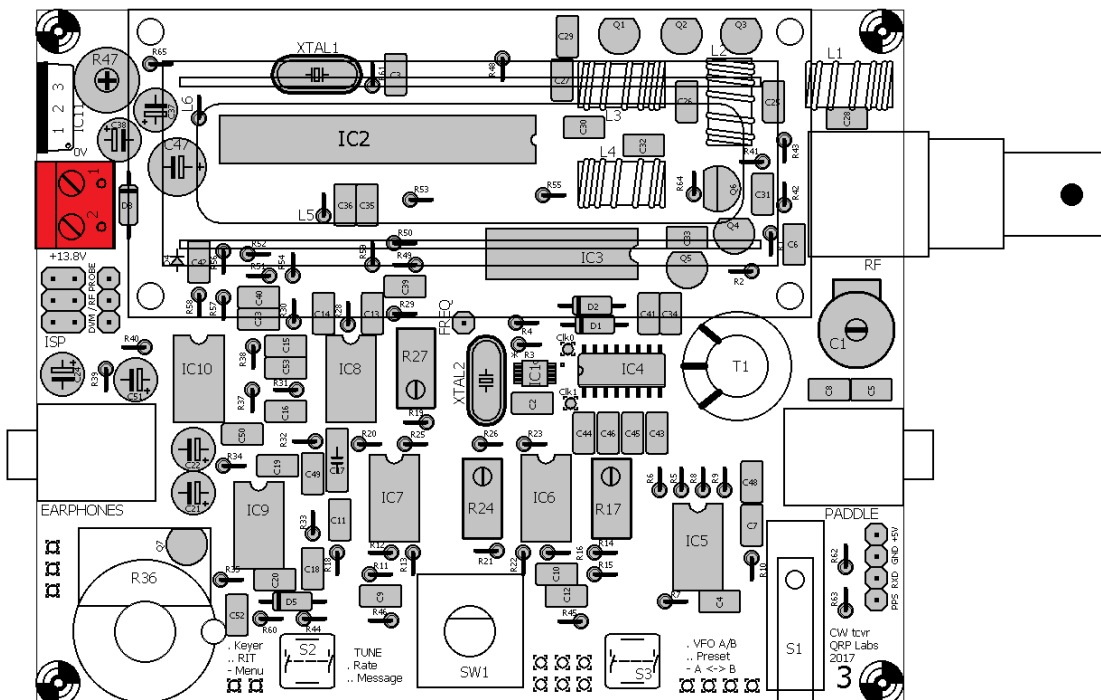
### 3.48 Install 1-pin test points

Install 1-pin headers as test points, as shown. One of these is taken from the 4-pin header from the Low Pass Filter kit (see previous section); the other two are to be cut carefully from the 16-pin header supplied, leaving the 14-pin section intact.



### 3.49 Install power connector

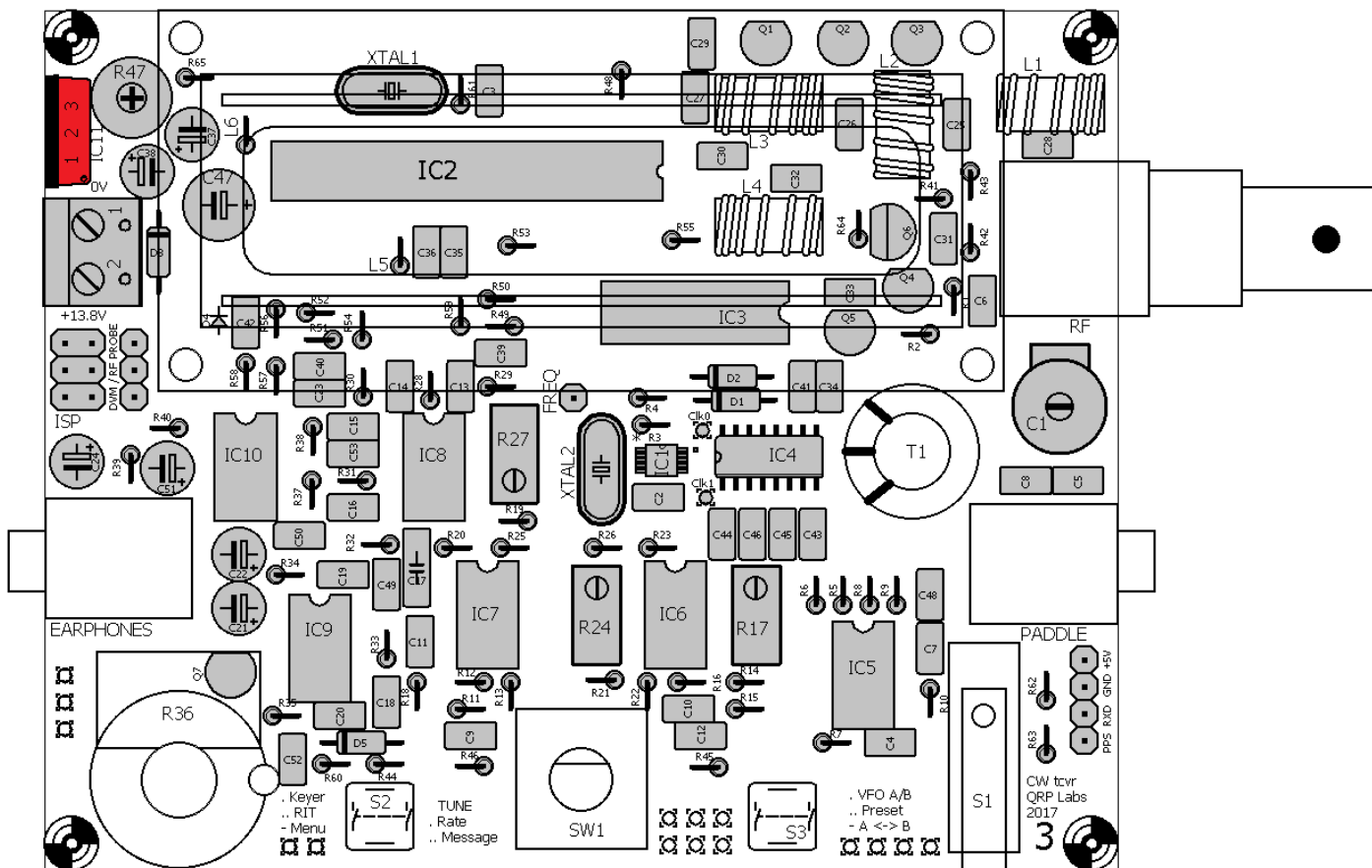
Install the 2-way power connector as shown, orientated to match the PCB silkscreen and have the terminal openings facing outwards from the PCB to facilitate installing power wires later.





### 3.50 Install 7805 voltage regulator IC11

Install the 7805 voltage regulator, orientating it so that the metal tab is facing outwards from the PCB. Push the wires all the way down into the holes until the body of the regulator is about 5mm off the PCB surface. Solder and trim the excess wires under the board.

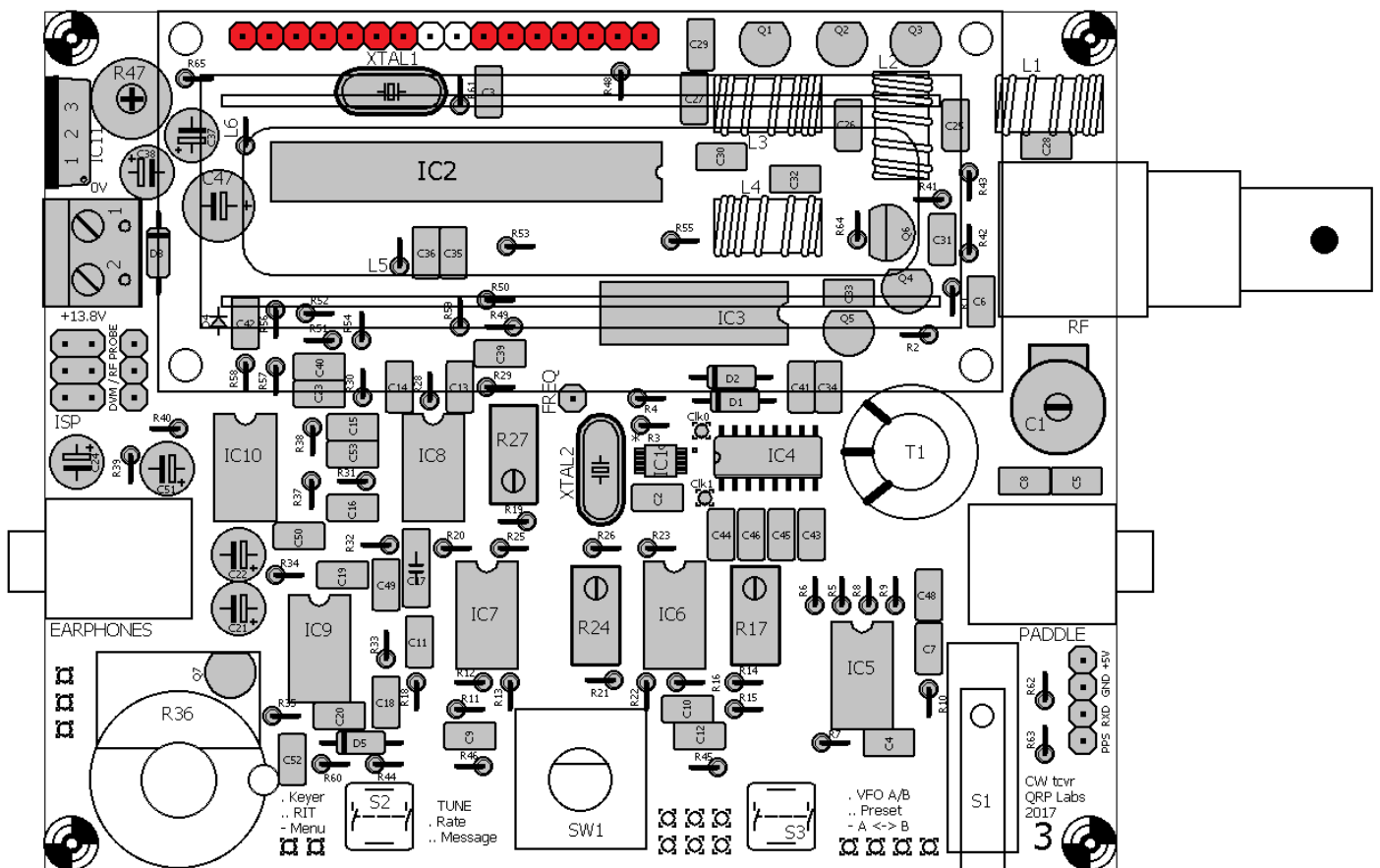


### 3.51 Install pin headers for the LCD module

The LCD has a 16-way connector. If you have been following me so far, you have already carefully cut off two of the pins, to use in the Clk0 and Clk1 test points. Therefore, you only have a 14-pin header remaining. This is fine, since not all of the pins of the LCD module are used! The LCD module has an 8-bit data bus, but can also be operated in 4-bit data mode, which is what is done in this kit. The 4-bit mode has the advantage that less pins of the microcontroller are used! This is very important in this design, because we require so many control pins from the microcontroller for the various functions of the radio. So, the LCD has 16 pins but the central 4 pins are not used.

Now break the 14-pin header carefully in half so that you have two 7-pin sections. (If you make a mistake and you have one 8-pin section and one 6-pin section, that is still Ok).

Install the two sections into the 16-pin holes on the PCB leaving an empty gap of two pins in the middle. Insert the SHORT end of the pins into the PCB. **Be very careful to ensure that the pin headers are accurately aligned to the PCB, so that later when we install the LCD module everything fits accurately.**



## 3.52 Wind and install toroid L4

L4 is type T37-2. It is a small ring with red paint on one side. Each time the wire passes through the hole in the middle of the toroid, this counts as one turn. The number of turns depends on the band of your kit, refer to the following table. Inductance values are approximate and will depend on variations in the core, and how tightly you wind the turns. Do not worry about these variations which are not critical in this case.

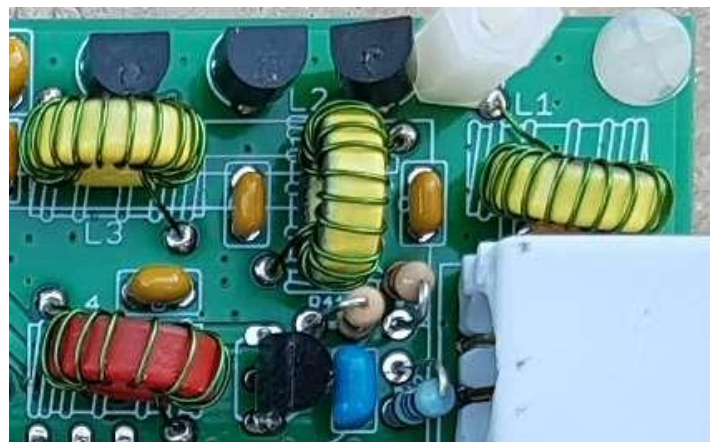
Band	Value	Turns
80m	2.3uH	24
60m	2.3uH	24
40m	1.0uH	16
30m	0.78uH	14
20m	0.40uH	10
17m	0.32uH	9

Try to keep the wire quite tight (but not so tight that you break the wire). Try to spread the turns evenly around the toroid. Leave about 2cm or 3cm of wire at the ends.

The wire is coated with an enamel insulating paint and it is **CRITICAL to remove this enamel at the soldered joints otherwise there will be no electrical connection through the toroid! This is the number 1 cause of problems with QRP Labs kit construction: failure to remove the wire enamel.**

One method of removing the wire enamel is to scrape it off at the ends, either with sandpaper, or carefully scratching with a knife or wire cutters. However, my favourite method is just to burn off the enamel. For quite a number of years, the type of enamel used on copper wire can be burnt off using the temperature available from an ordinary soldering iron, immersing the wire in a blob of solder. (This was not the case, with much older wire found in vintage valve/tube equipment). You could also use a cigarette lighter to burn off the enamel.

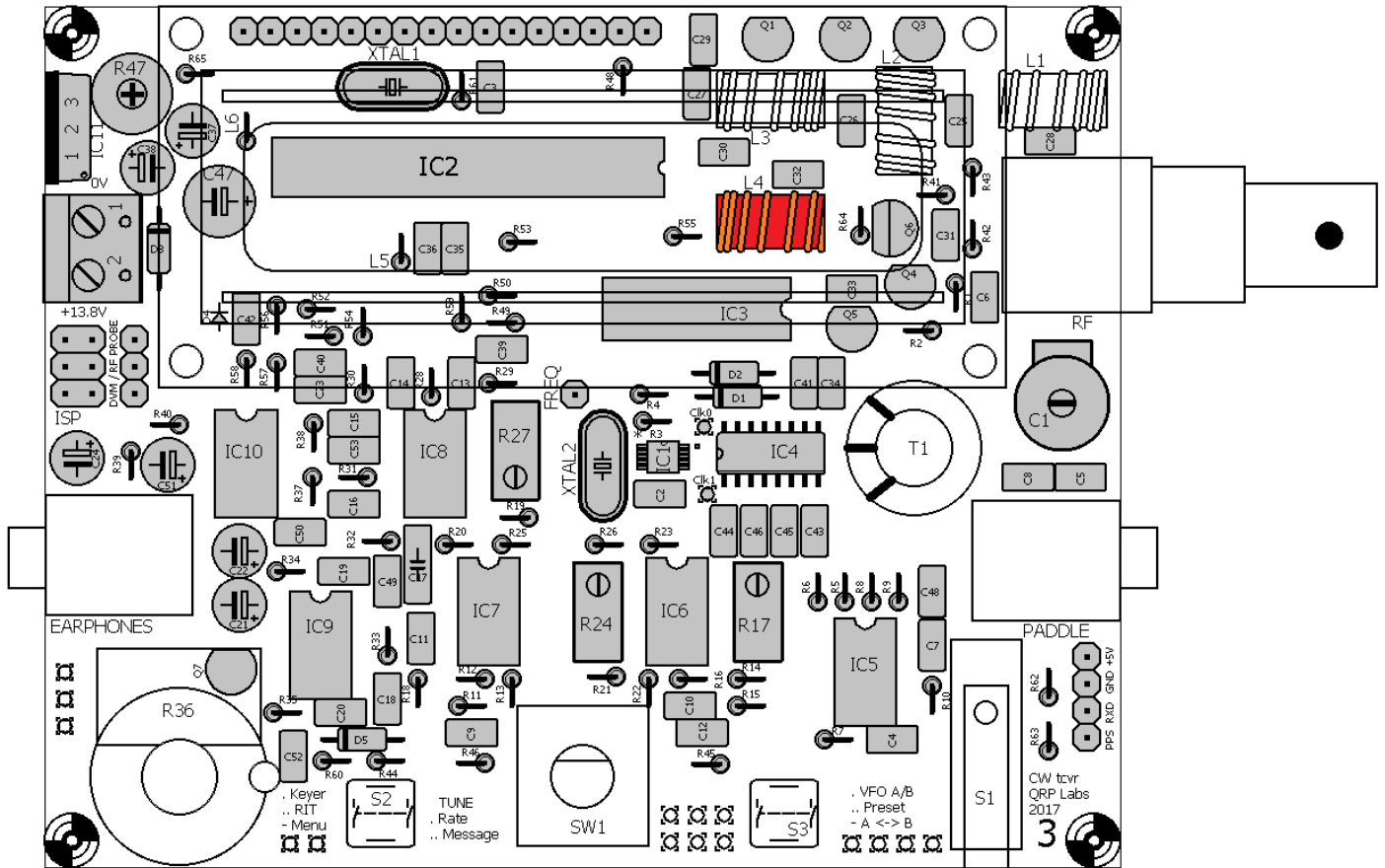
Insert the ends of the wires into the correct holes of the PCB and pull it through tight, so that the toroid sits up vertically on the PCB. See photo, right.



Bend the wires over so that the toroid does not fall out while you are trying to solder the wires. Cut off the excess wire using wirecutters, leaving only about 2mm protruding through the PCB on the lower side. Now apply solder quite generously from the soldering iron. Hold the soldering iron to the joint for a few seconds – I usually count to 10 slowly – and the solder will surround the wire, which will become hot enough to burn off the enamel. You can sometimes see a small puff of smoke when the enamel burns off.

Carefully inspect the soldered joints with a magnifying glass to make sure that the wire is correctly soldered. If it looks like the solder hasn't flowed nicely and adhered to the wire, then this is usually a sign that the enamel probably hasn't been burnt off.

If you have a DVM it is a good idea to check for DC electrical continuity (zero ohms resistance) between the two ends of the wire. If you do NOT have a DVM and if the radio doesn't work, then we can use the built-in test equipment later, to trace the fault.

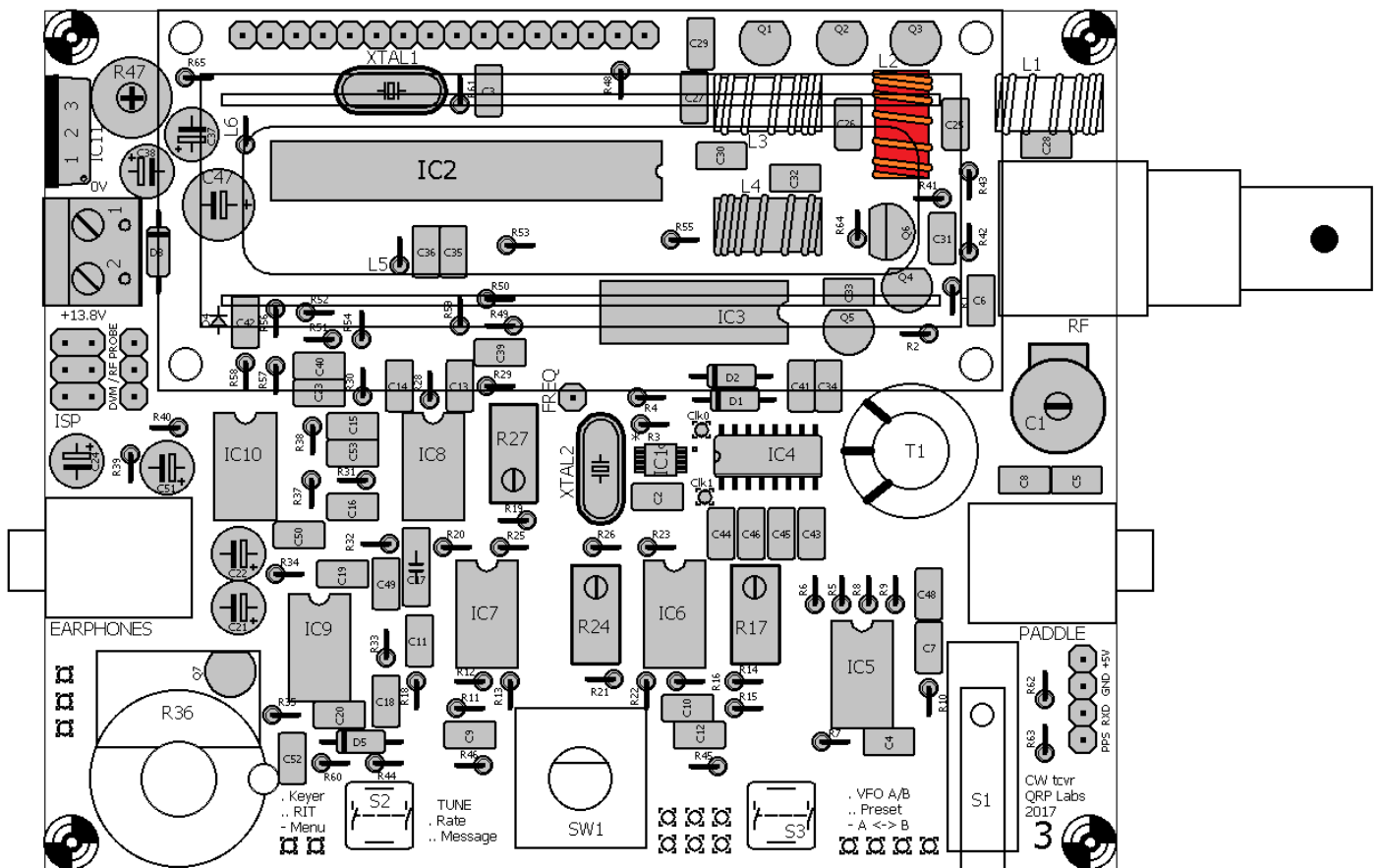


### 3.53 Wind and install toroid L2

L2 is a small toroid ring painted yellow or red on one side. It is part of the supplied Low Pass Filter kit bag. Again, keep the wire tight and evenly spaced around the toroid. Installation of the inductor is similar to the previous section. **Remember to remove the wire enamel and check!**

The number of turns is band-dependent, refer to the following table. Inductance values are approximate and will depend on variations in the core, and how tightly you wind the turns. Do not worry about these variations which are not critical in this case.

Band	Toroid	Colour	Value	Turns
80m	T37-2	Red	3.0uH	27
60m	T37-2	Red	2.3uH	24
40m	T37-6	Yellow	1.7uH	24
30m	T37-6	Yellow	1.3uH	20
20m	T37-6	Yellow	0.90uH	17
17m	T37-6	Yellow	0.67uH	15



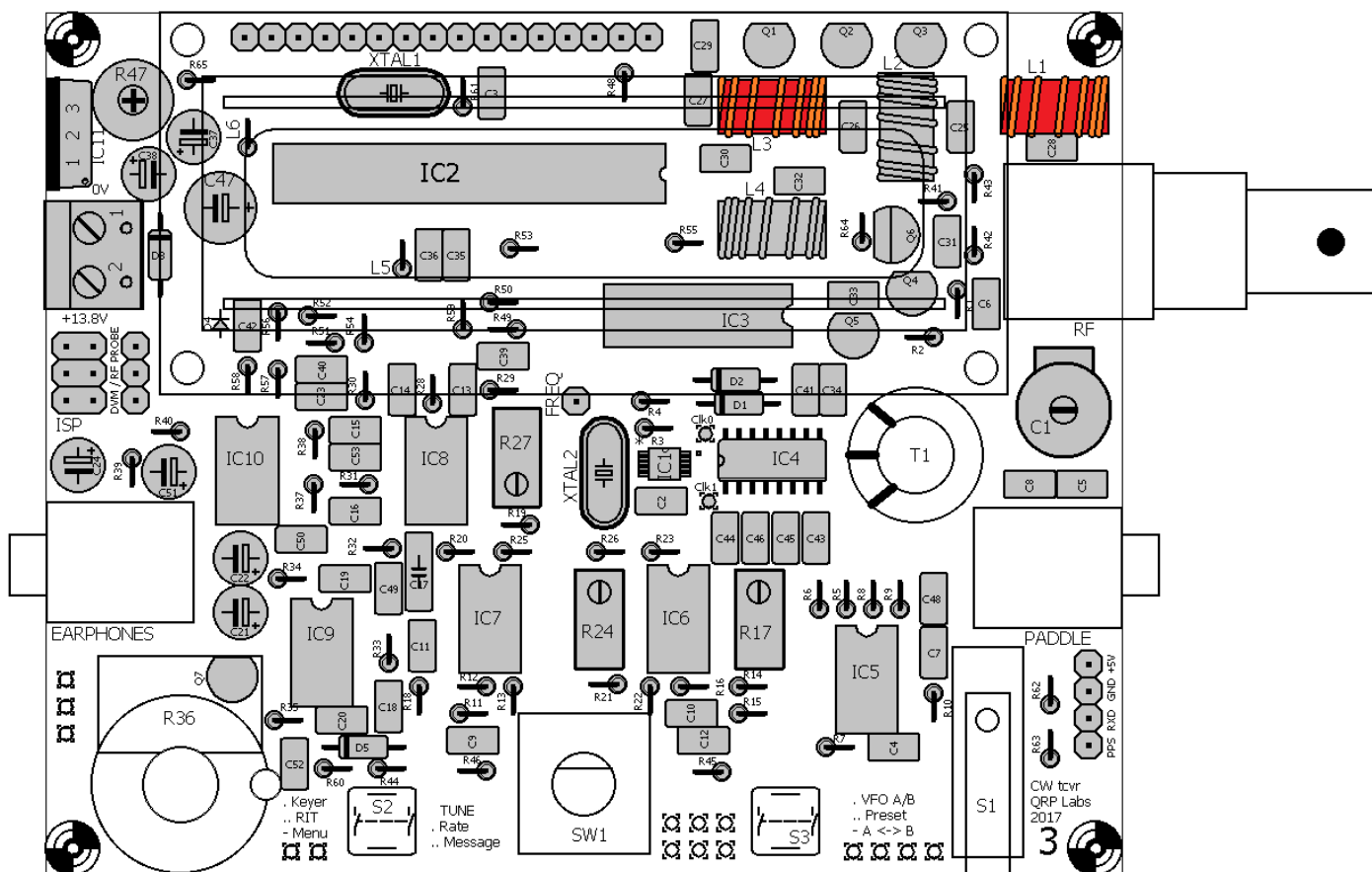


### 3.54 Wind and install toroids L1 and L3

L1 and L3 are small toroid rings painted yellow or red on one side. They are part of the supplied Low Pass Filter kit bag. Again, keep the wire tight and evenly spaced around the toroid. Installation of the inductor is similar to the previous section. **Remember to remove the wire enamel and check!**

The number of turns is band-dependent, refer to the following table. Inductance values are approximate and will depend on variations in the core, and how tightly you wind the turns. Do not worry about these variations which are not critical in this case.

Band	Toroid	Colour	Value	Turns
80m	T37-2	Red	2.4uH	25
60m	T37-2	Red	2.1uH	23
40m	T37-6	Yellow	1.4uH	21
30m	T37-6	Yellow	1.1uH	19
20m	T37-6	Yellow	0.77uH	16
17m	T37-6	Yellow	0.55uH	13



### 3.55 Wind and install transformer T1

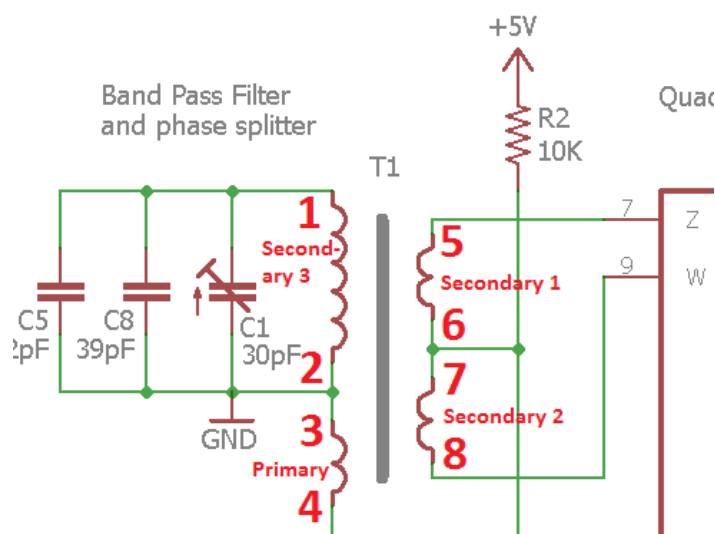
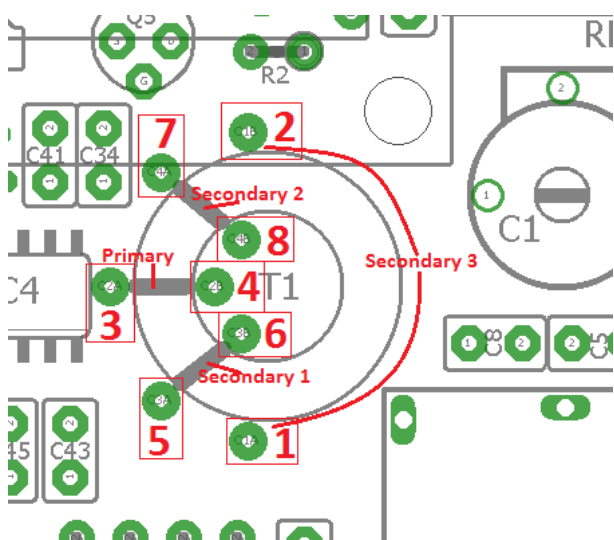
Now we come to the only really tricky piece of the assembly, which is the receiver input transformer T1. Follow these instructions carefully, it is tricky but quite feasible if you go step by step.

In the end, you are going to end up with an installed transformer which hopefully looks something like the photo (right, shows 20m version).



This transformer has FOUR windings. Three identical short windings, and one long winding. There are therefore eight wire ends, which must all be soldered into the correct holes on the PCB, and with the enamel properly removed.

Here are two diagrams which enumerate each of the windings, wire endings and holes on the PCB, on both the layout diagram and on the circuit (schematic) diagram. It should help to explain diagrammatically which wires must go where.

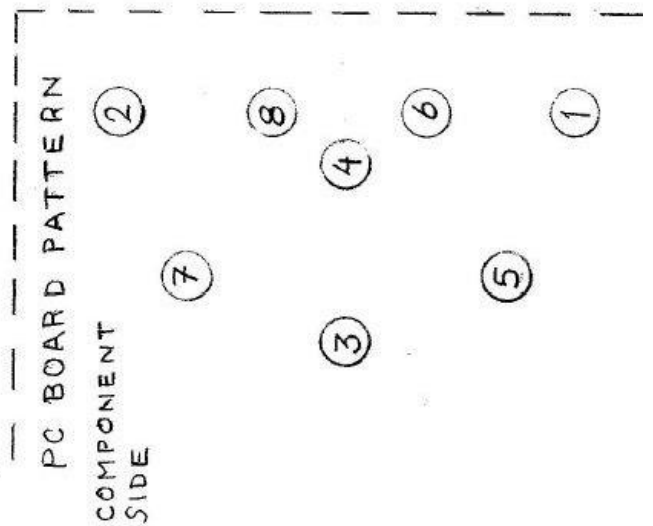
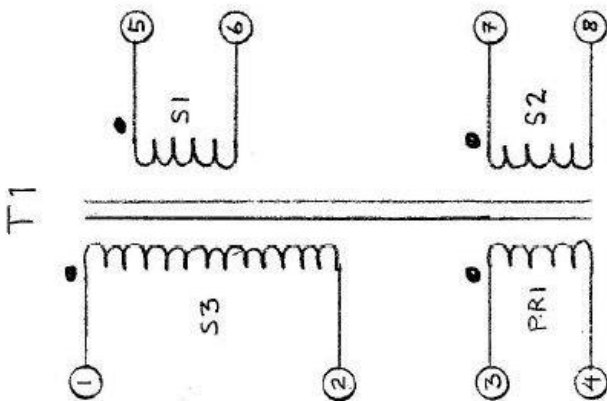
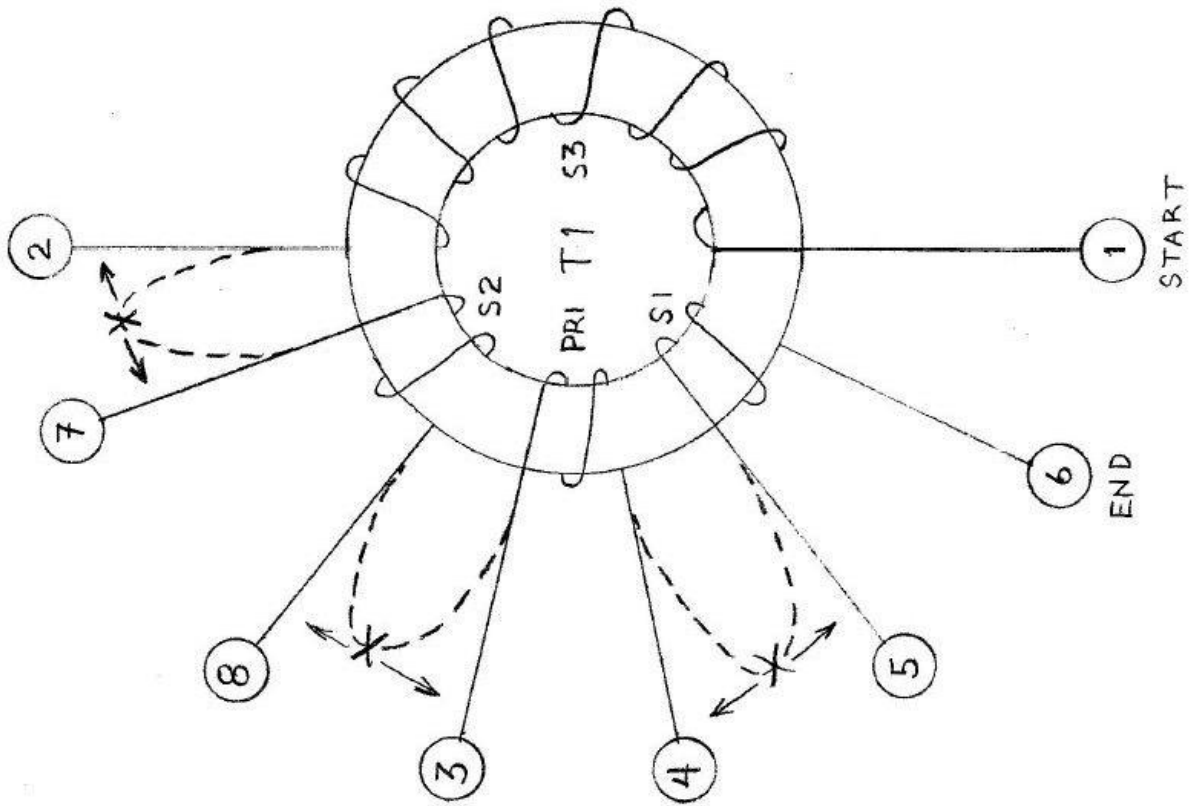


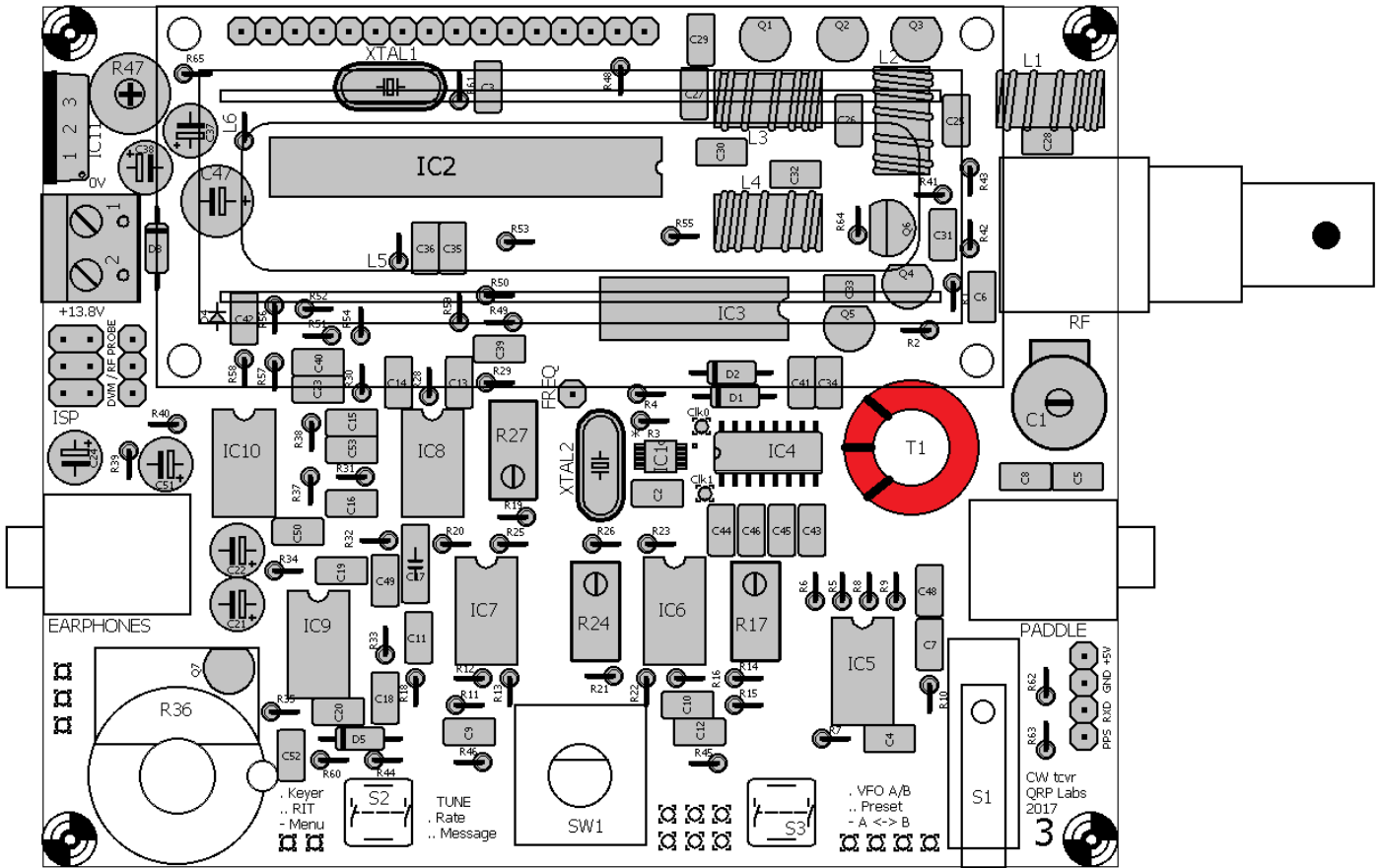
On the following page is a diagram hand-drawn by Ed WA4MZS (thanks Ed!) which may also clarify the construction and installation of T1.

BAND	PRI	S1	S2	S3
80m	5T	5T	5T	68T
60m	5T	5T	5T	46T
40m	5T	5T	5T	38T
30m	4T	4T	4T	30T
20m	3T	3T	3T	30T
17m	3T	3T	3T	22T

CORE = T50-2

WIND w/ #28 ENAM.  
(0.33 mm)





The four windings on T1 must all be in the same “sense”. There are two ways to wind toroids. You might call them left-handed and right-handed; clockwise and counter-clockwise; whether the wire goes through the toroid from top to bottom, or from bottom to top. Whatever you call it, all the four windings have to be the same, to be sure to get the phasing to the quadrature sampling detector correct.

The number of turns in each winding depends on the band you are building the kit for. Refer to the following table. For convenience, the remainder of the instructions in this section refer to the 20m version (30 + 3 + 3 + 3 turns).

**But MAKE SURE you wind the correct number of turns for your band!**

Band	Primary	Secondary	Secondary	Secondary
		1	2	3
80m	5	5	5	68
60m	5	5	5	46
40m	5	5	5	38
30m	4	4	4	30
20m	3	3	3	30
17m	3	3	3	22

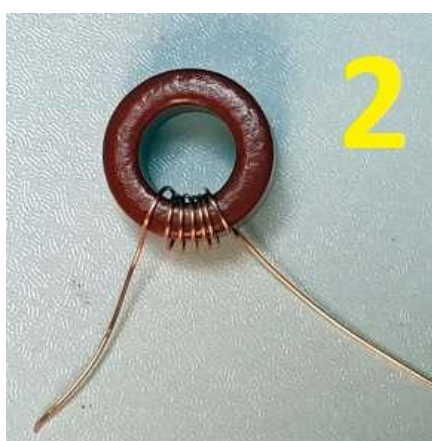
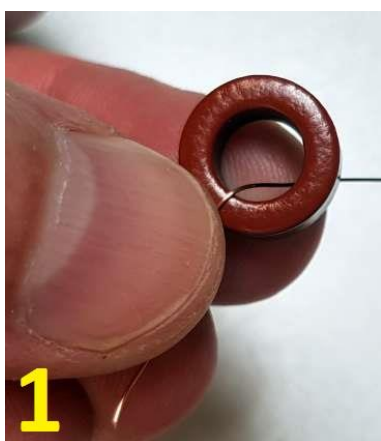
**Note for 80m and 60m versions:** the toroid ring is not large enough to neatly hold all of those turns in a single flat tidy winding. The large secondary winding WILL end up looking messy, with overlaps in some places. You should try to ensure any overlaps turns are evenly spaced throughout the winding! Do not try to wind one neat layer, then wind the remaining turns as an additional neat layer on top of that. Just go with the messy overlapping turns and don't worry about it: everything will work fine, regardless.



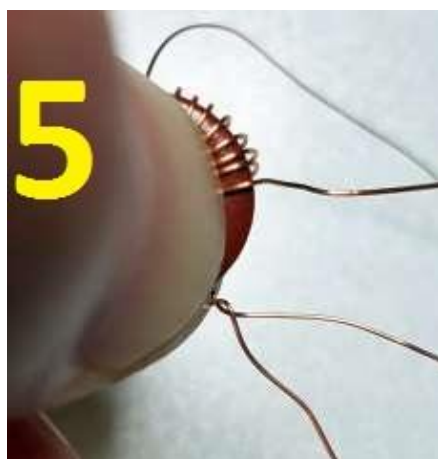
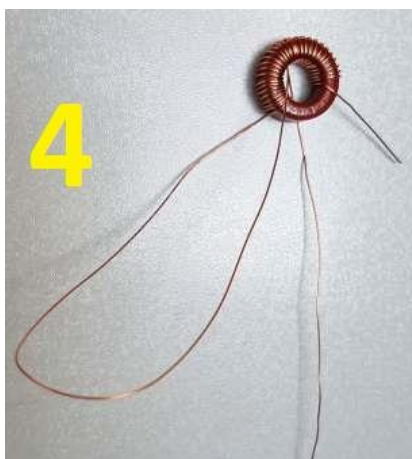
In all cases, there is one long secondary winding, and three other short identical windings. To make things easier, we will wind all windings together in one go, this will guarantee that the “sense” of each winding will be the same. At the intended breaks between the windings, we will leave large loops of wire, that we can later cut one by one to make sure the wires go in the correct holes.

There are a lot of steps listed below but in reality, it is easier DOING it than it is writing instructions how to do it. Take it patiently, step by step:

- 1) Hold the toroid between thumb and finger, and thread the first turn of the wire through from top to bottom. Leave about 3cm of wire at the free end.
- 2) Apply tension to the wire after each pass through the centre hole, to try to keep the windings tight and even. The wire turns should sit neatly side-by-side on the toroid, without overlapping.
- 3) Grip the toroid between thumb and finger as you wind.



- 4) When you have completed 30 turns, pass the wire through the hole for the 31st turn but leave a large loop of wire between the 30th and 31st, without pulling it tight.
- 5) Grip the toroid and wound turns tightly between thumb and finger, and with the other hand apply some twists the wire loop, tight next to the toroid.
- 6) The result is a wire loop after 30 turns, as shown.

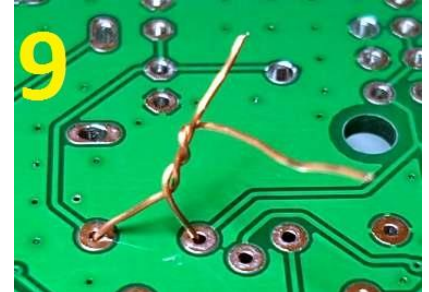
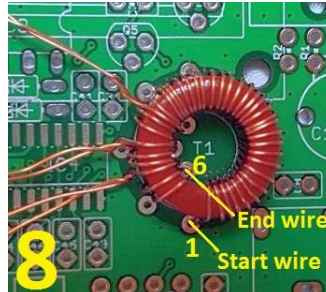


- 7) Do the same thing for two more loops, which are between the 33<sup>rd</sup> and 34<sup>th</sup> turns, and 36<sup>th</sup> and 37<sup>th</sup> turns respectively. It is easy to lose count. An easy way is after step 6, pass the wire through the hole 3 more times, and on the 3<sup>rd</sup> one, make a loop. Similarly count three more and make a loop on the third. Then finally three more turns to complete the

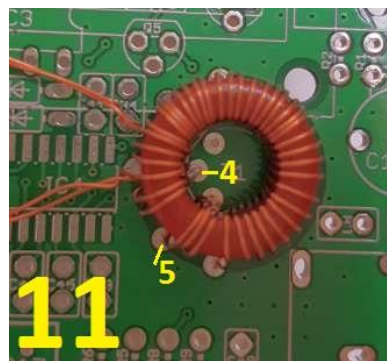
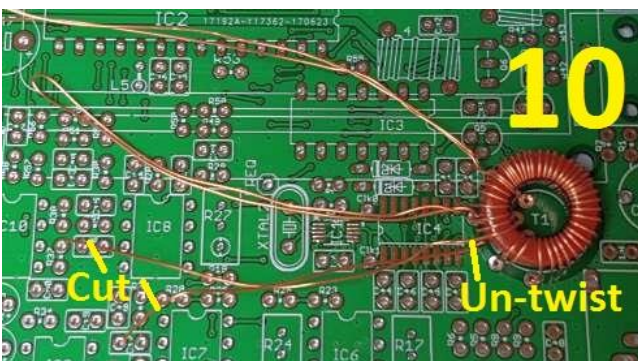


toroid's 39 windings. Count the windings to make sure you have 39. When you are sure everything is fine, cut the wire leaving about 3cm of wire free at the end.

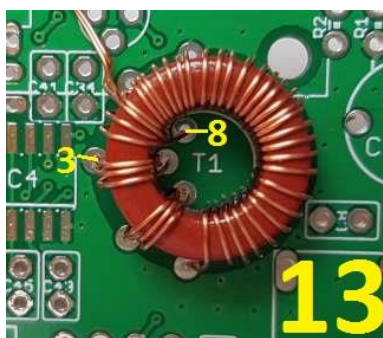
- 8) **The remaining steps show the transformer installation on an otherwise empty PCB, to make the explanation clear.** Thread the original start of your winding (from step 1) into hole 1 in the diagram. Thread the final end of your winding (from step 7) into hole 6.
- 9) Twist these two wires under the board to keep the toroid in place while you deal with the remaining wires.



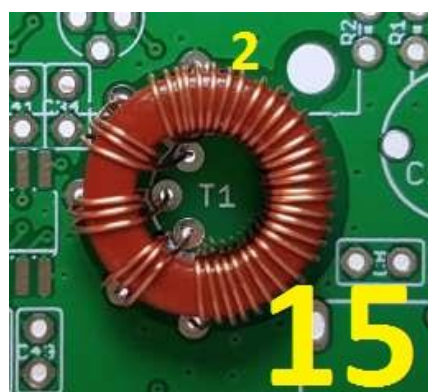
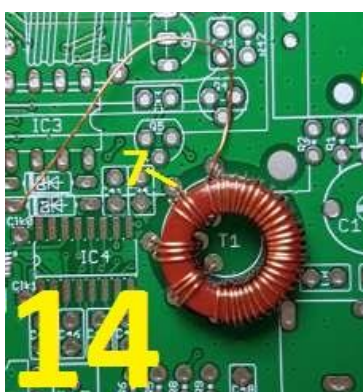
- 10) Now cut the 3<sup>rd</sup> loop (the one nearest the end of the winding work), and un-twist the twisted section you made near the toroid body.
- 11) When you cut the loop, you therefore created two wires. One of these came over the top of the toroid, and you can easily verify that this is the one which has three turns through the toroid then passes through hole 6. So, insert this wire into hole 5. Once again to be clear: you should now have a winding of three turns (which is labelled "secondary 1", above), with one end inserted into hole 6 and one end inserted into hole 5. The other wire came from UNDER the toroid. You must push this wire towards the toroid and pull it out through the centre hole of the toroid. Now thread it through hole 4. Under the board, twist the two new ends of wire together to keep them in place.



- 12) Next cut the 2<sup>nd</sup> loop, and un-twist the twisted section near the toroid body.
- 13) Similar to step 11; the wire which came over the toroid body has three turns then goes into hole 4, which you did in step 11. Insert this wire-end into hole 3. The other wire end that came from under the toroid body should be gently pushed toward the toroid, and pulled up through the centre hole of the toroid. Insert that wire end into hole 8. So now you have the "primary" winding consisting of three turns, between holes 3 and 4. Twist the two new wires under the board again, to keep everything in place.



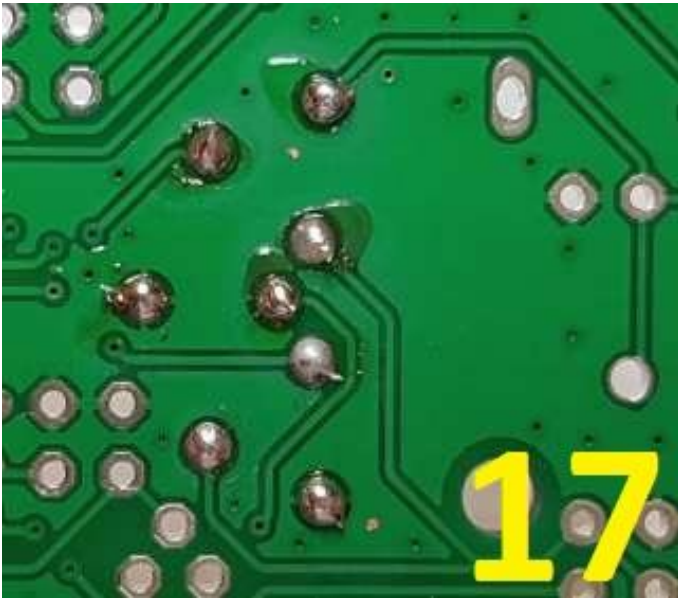
- 14) Finally, cut and un-twist the loop which you created first, which was between the 30<sup>th</sup> and 31<sup>st</sup> turns of the toroid winding. Push the wire which came over the toroid body, into hole 7. Now you have three turns of wire, which make up “secondary 2”, between holes 7 and 8.
- 15) The last wire came from under the toroid body when you cut the loop; this wire is the other end of the 30 turns “secondary 3” winding, so insert it into hole 2. It is already near to hole 2 and you don't need to push it under the toroid body as you did in previous steps.  
Take a moment now to review the situation. You should be able to identify the four windings of T1, and squeeze them together neatly as in the photo, to verify that each end of the 3-turn windings goes into the correct holes.
- 16) Under the PCB, you should have three pairs of twisted wires, and one pair (that you installed last), un-twisted.



- 17) Now you can solder the eight connections under the PCB. I recommend doing one pair of wires at a time; this way, the other wires will hold the toroid in place and stop it falling out. Start with the two un-twisted wires. Pull each wire tight, bend it over at about 45-degrees, and cut it 1-2mm away from the PCB surface. Having bent the wire prevents it from falling out. Now solder the wire. Remember to hold the soldering iron to the joint for 10 seconds or so, to allow the enamel insulation to burn off. Repeat for all the other wires, one pair at a time, until all eight are soldered. If you have a DVM, check for DC continuity (zero ohms resistance) across each winding. If you do not get the expected continuity, then it means either
  - a) you have not managed to scrape or burn away the enamel insulation properly so there is no electrical connection AND/OR
  - b) you put the wires into incorrect holes AND/OR
  - c) your expectation is wrong because you have not identified which pad on the PCB is labelled 1-8 in the diagram.

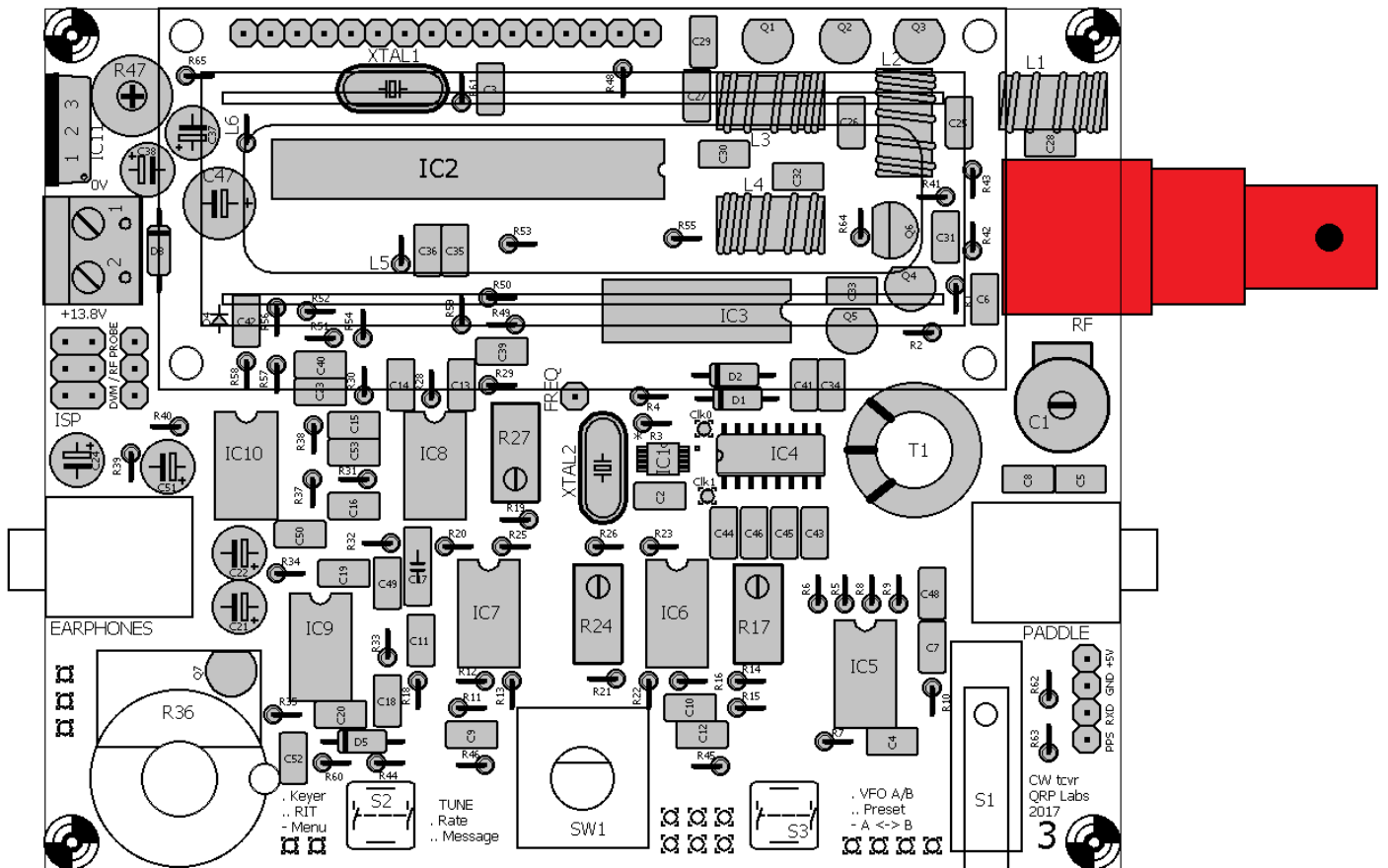


18) The final picture (18) shows the toroid installation completed.



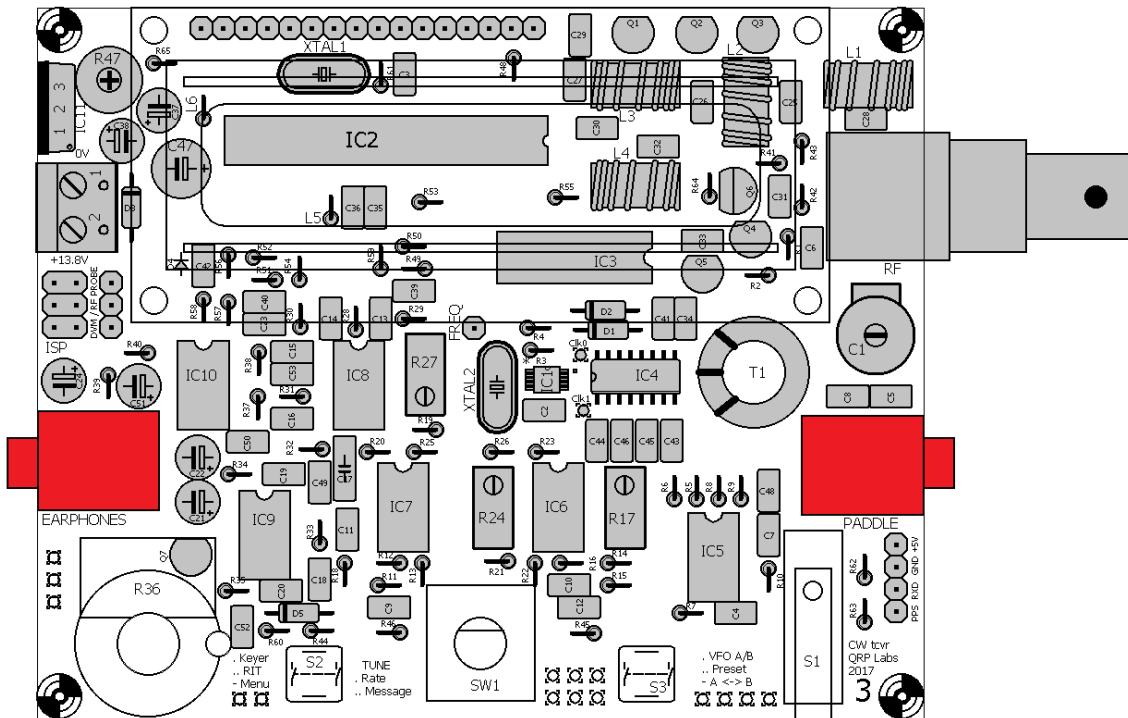
### 3.56 Install RF output BNC connector

Solder one pin first, to check that the alignment is correct; when happy, solder the remaining pins. The connector has RF and Ground connections, and two fat rods which are for mechanical stability only.



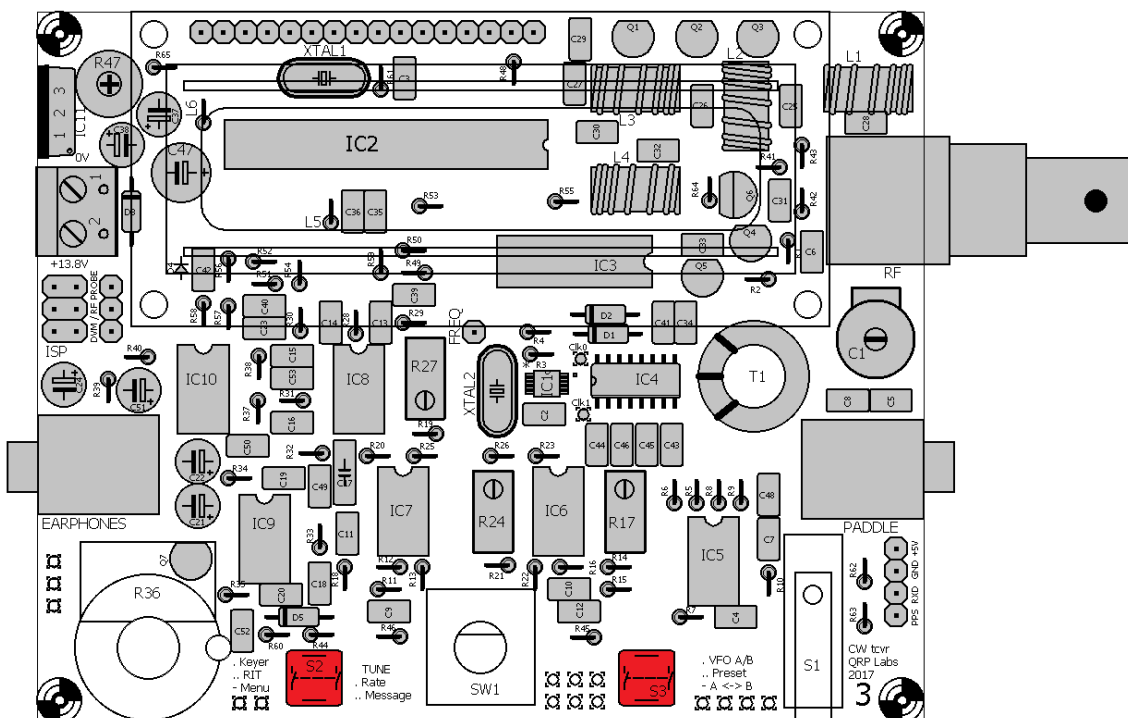
### 3.57 Install 3.5mm stereo connectors

These connectors are used for the audio output (earphones) and for optional connection of a paddle. The sockets are a tight fit, but they DO fit, with care, eventually. When you are happy that the socket is neatly aligned and seated on the PCB, solder the remaining pins.



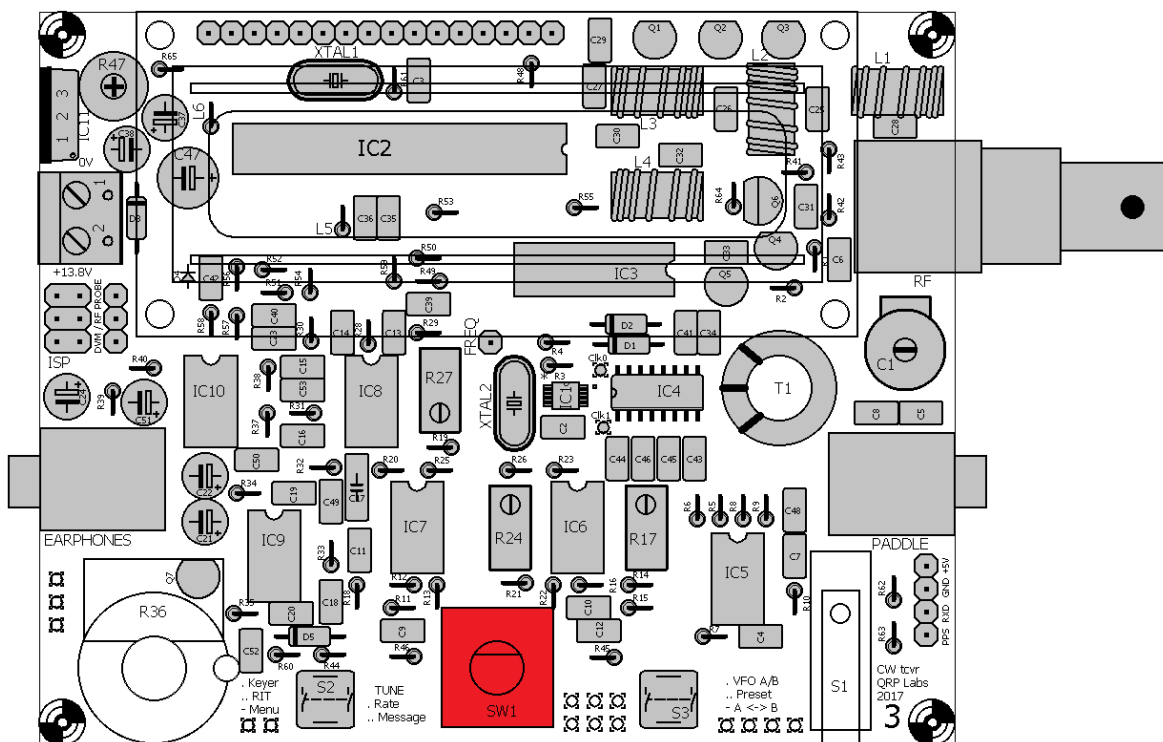
### 3.58 Install buttons S2 and S3 (left and right buttons)

These buttons (or other push-to-make buttons) may alternatively be wired off-board, for example when mounted in a front panel. Refer to later section for wiring details.



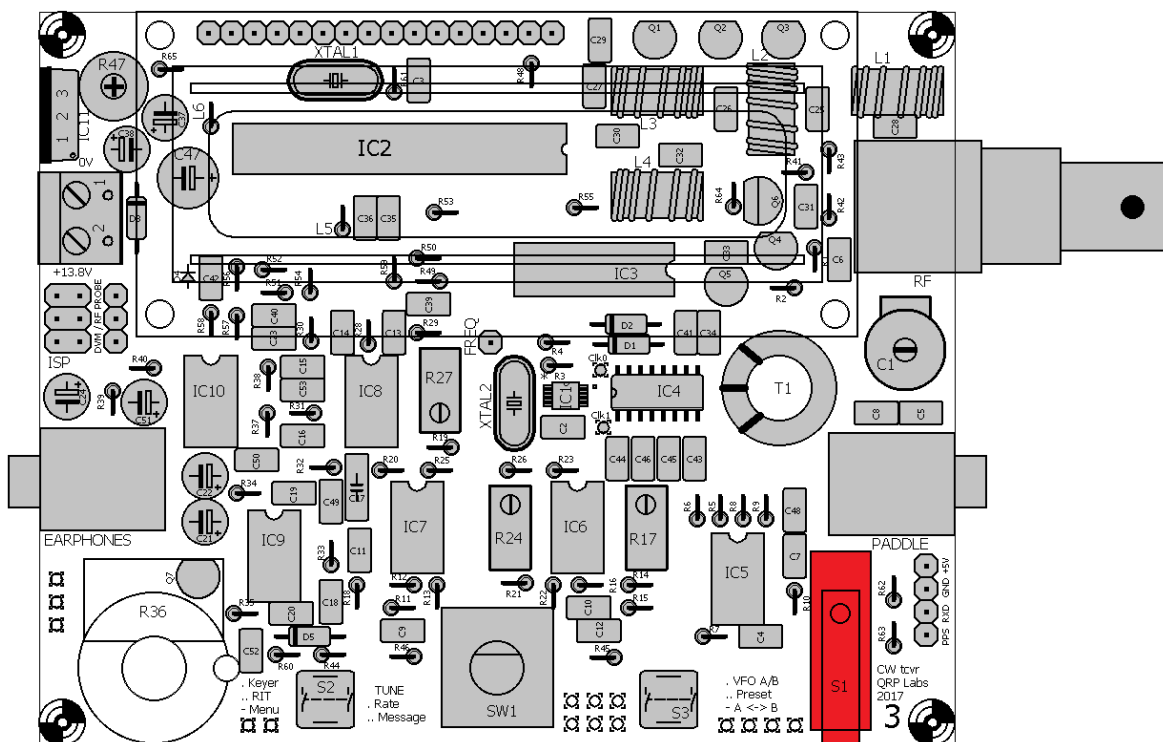
### 3.59 Install rotary encoder

This switch has seven solder pads: five are for electrical connections and the two large tabs are for mechanical stability. You may also choose to mount the switch off-board, for example on a front panel. Refer to the later section describing the wiring. Remember that it will be difficult to remove the switch later, so you may wish to make the external mounting decision now.



### 3.60 Install microswitch

The microswitch can be used as an on-board “straight key” if desired and is surprisingly effective! The PCB holes are large so be sure to use enough solder to make good joints.





### 3.61 Install gain control potentiometer R36

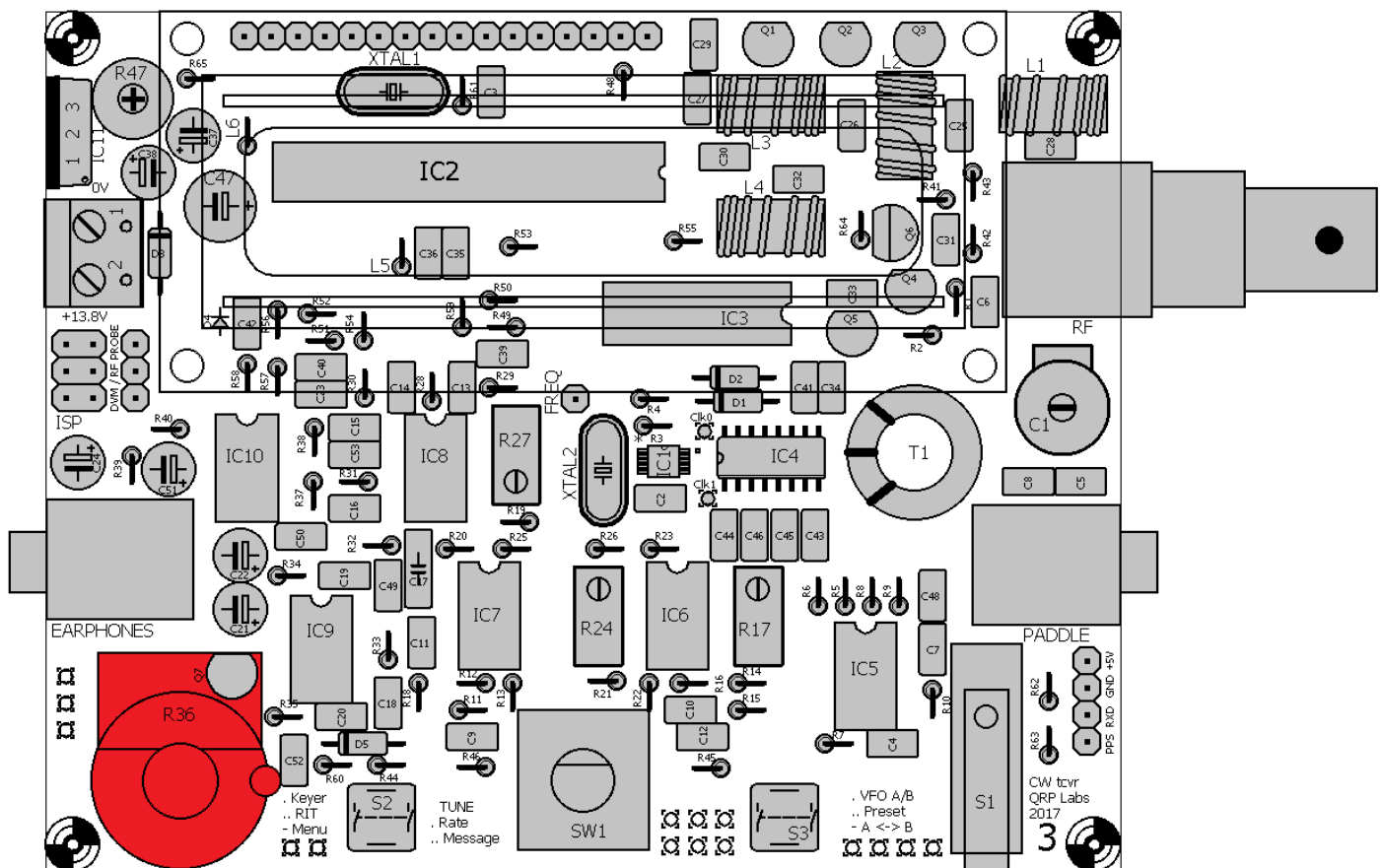
Carefully bend the pins of the potentiometer upwards 90-degrees as shown in the photograph.

Remove the nut from the potentiometer, fit the shaft through the hole in the PCB, and carefully install the bolt and tighten with pliers. There is an anti-rotation tab on the metal case, which fits in the smaller hole to the right of the main shaft hole. The tab hole is near to C52, on the right of the potentiometer. When tightening the nut ensure that the pins remain aligned with the corresponding pads on the PCB.



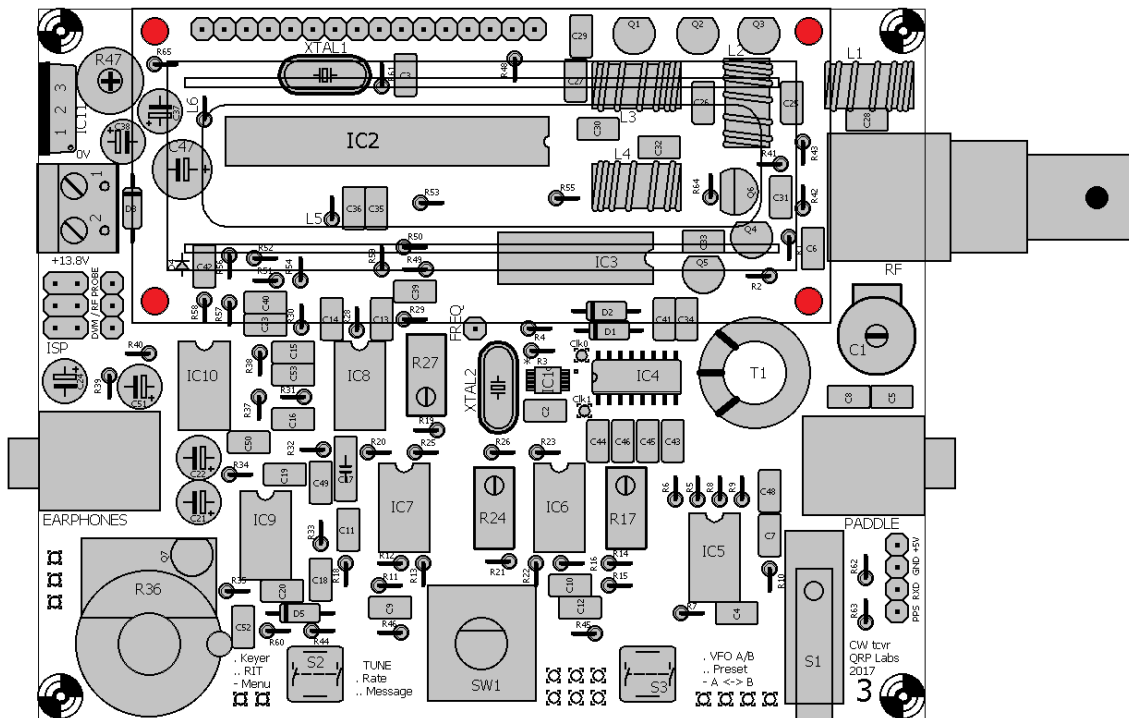
**Be very careful with this potentiometer and do not over-tighten the nut. The potentiometer is quite delicate.**

The three pins do not extend far enough to fit into the three corresponding holes on the PCB. However, they are close enough that a generous blob of solder is enough to make a reliable connection to each pin.



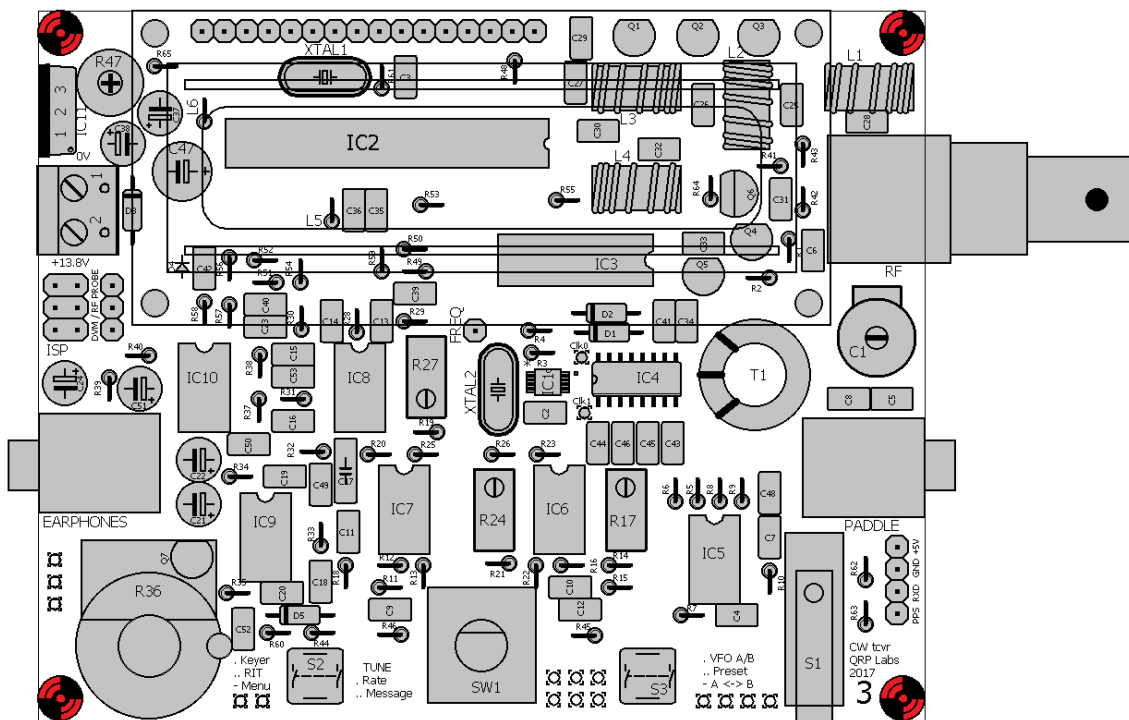
### 3.62 Install four 12mm hex spacers at the LCD corners

Install the four 12mm spacers on the top side of the PCB, threading four M3 nylon screws through from the underside of the PCB. These four spacers fix the LCD module to the PCB assembly.



### 3.63 Install four 12mm hex spacers at the PCB corners

These spacers are installed on the bottom side of the PCB, with the four M3 screws threaded through from the top (component) side. These four spacers make four little “pillars” at the board corners, to keep the underside suspended above your workbench or fixing to an enclosure.



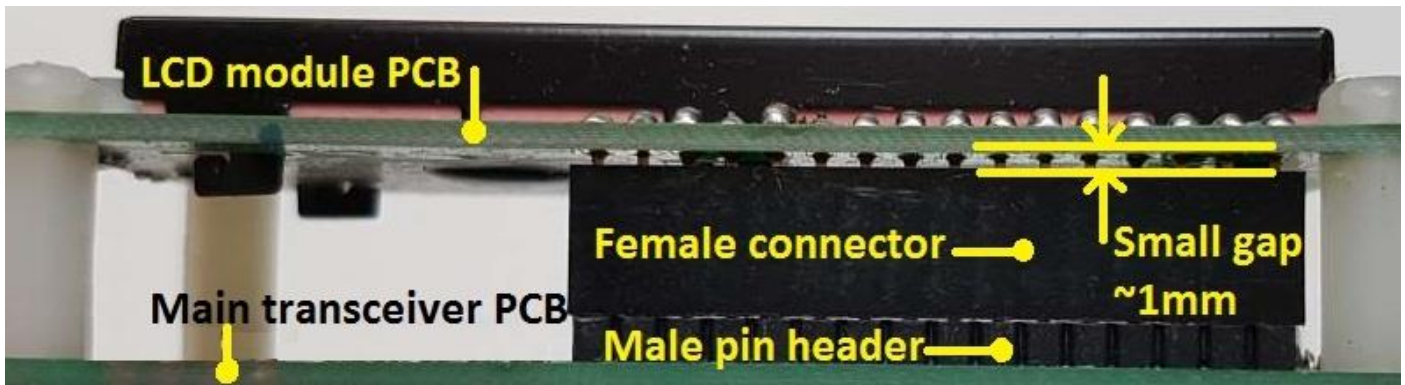
### 3.64 Install knobs

Two black knobs are supplied, one for the rotary encoder and one for the gain control. When fitting the gain control knob, you should ensure that when the potentiometer is turned all the way anti-clockwise, the white pointer on the knob points to the bottom left corner of the PCB. This is the conventional alignment for volume control knobs.

### 3.65 Install 16-pin female connector on LCD module

The 16-pin female header connector must be installed on the solder-side of the LCD module, so that it will mate with the 16-pin male header on the main transceiver PCB. The easiest way to do this is to temporarily assemble the modules and bolt the LCD in place using the supplied nylon M3-sized screws.

The nylon headers at the LCD module corners are a little longer than would be ideal. Accordingly leave a small gap between the 16-pin female header connector, and the LCD module itself. Push the female header connector all the way onto the 16-pin header on the main PCB, and solder the pins in place.



### 3.66 Install microcontroller

Finally install IC2, the programmed ATmega328P microcontroller. Be very careful to ensure that the dimple on the chip is aligned with the dimple on the 28-pin DIP socket, which itself should already be aligned with the dimple on the PCB silkscreen.

### 3.67 Install LCD and the remaining 4 screws to bolt LCD module

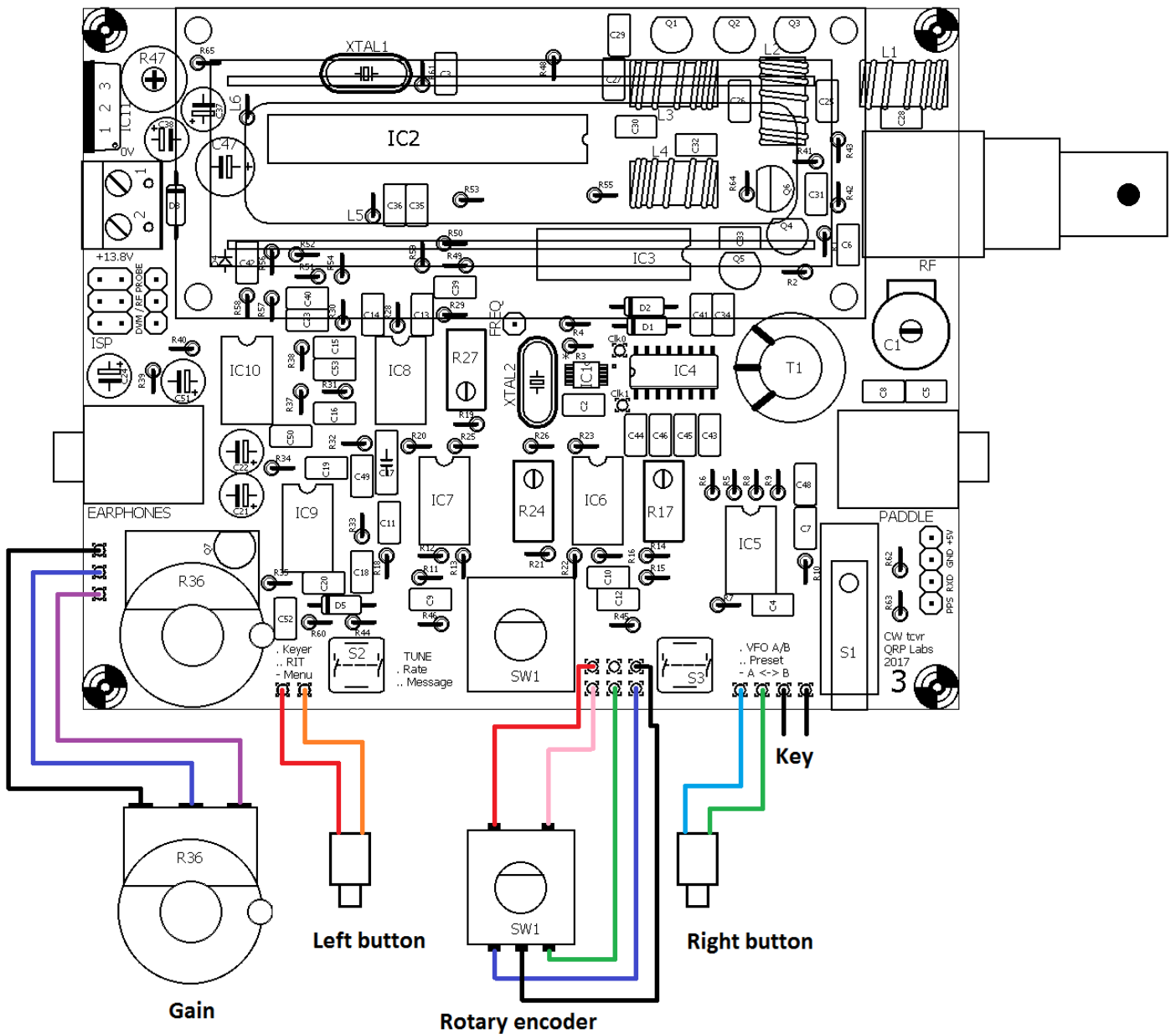
Now plug in the LCD module and screw it in place, using the remaining 4 nylon M3 screws.

### 3.68 Connections for off-board mounting of controls

The following wiring diagram shows the connections between the PCB pads and controls (buttons, rotary encoder, gain potentiometer) that should be made if you intend to wire the controls off-board. For example, you may wish to install the radio in an enclosure and mount the controls on a front-panel.

The diagram shows the two buttons, gain potentiometer and the rotary encoder. PCB pads are also available for the microswitch “Morse key” as labelled in black (bottom right) but typically you would probably wish to plug a key or paddle in to the 3.5mm socket.

If installing the radio in an enclosure you would also want to wire the LCD module to the PCB rather than plug it in directly. Take care to ensure short cables, or use shielded (screened) cable in order to avoid radiating digital noise into the RF circuits.



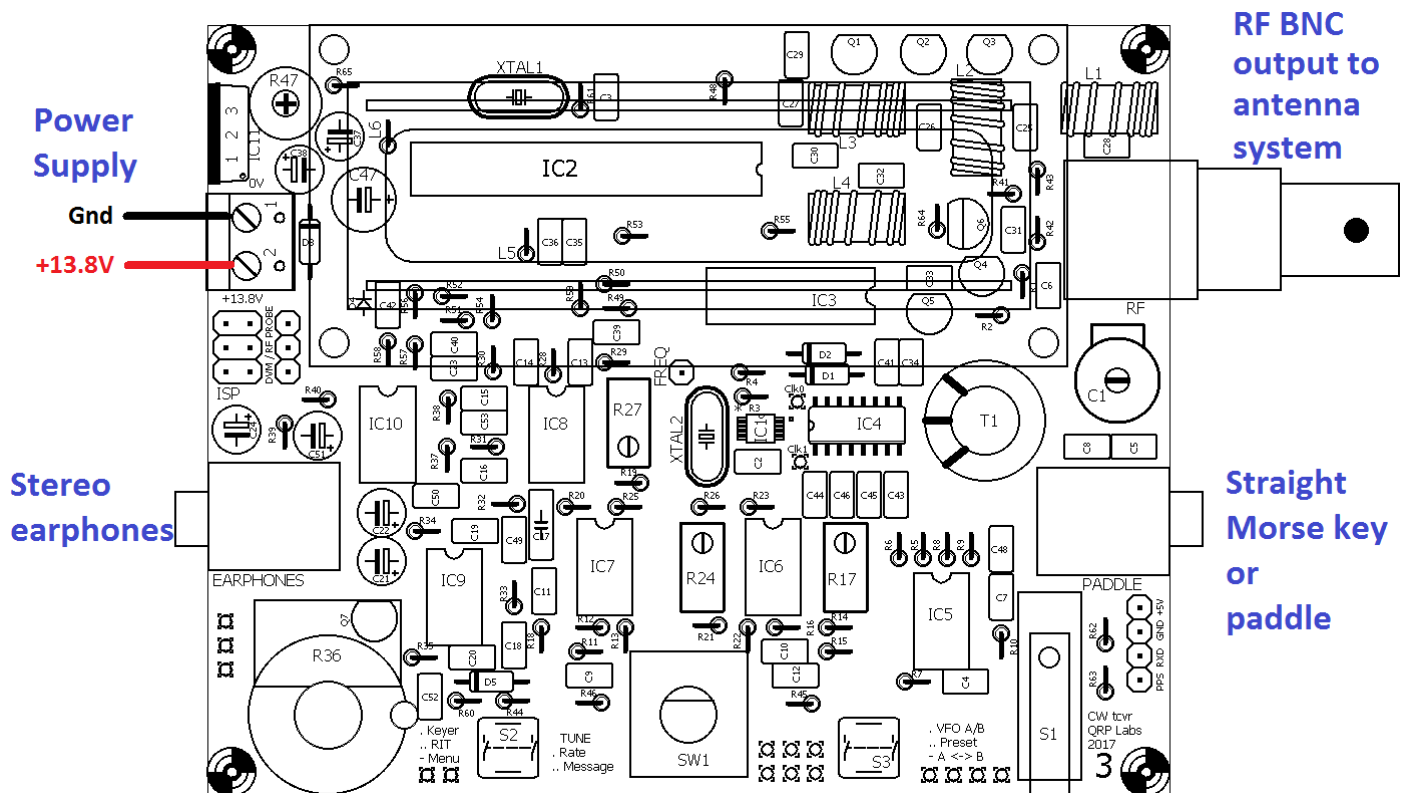
### 3.69 Connections for basic operation

The following diagram illustrates the basic connections for transceiver operation. A power supply is required, which needs to be able to supply up to 0.5A on transmit. The supply voltage may be from 7 to 16V, and the RF power output will depend on the supply voltage (higher output power is produced at higher supply voltages).

Note that the 7805 voltage regulator requires no heatsink; however the heat production will increase as supply voltage is increased, and the IC does get uncomfortably hot to touch at 16V supply. Although I still do not believe it is necessary, you may feel less disturbed if you fit a small heatsink to the 7805 voltage regulator if you intend to operate at higher supply voltages.

The earphones can be any stereo earphones such as commonly used with audio equipment, mobile phones and so on.

The RF output is a filtered 50-ohm output for connection to a usual antenna system (antenna, and matching unit if applicable).





### 3.70 Adjustment and alignment

The first thing that you will notice when you apply power to the radio, is that there is probably nothing at all shown on the display. This is because you need to adjust the contrast trimmer potentiometer R47 at the top right of the PCB! Adjust it with a screwdriver until the display text looks right to you.

You should now see the following text on the display:



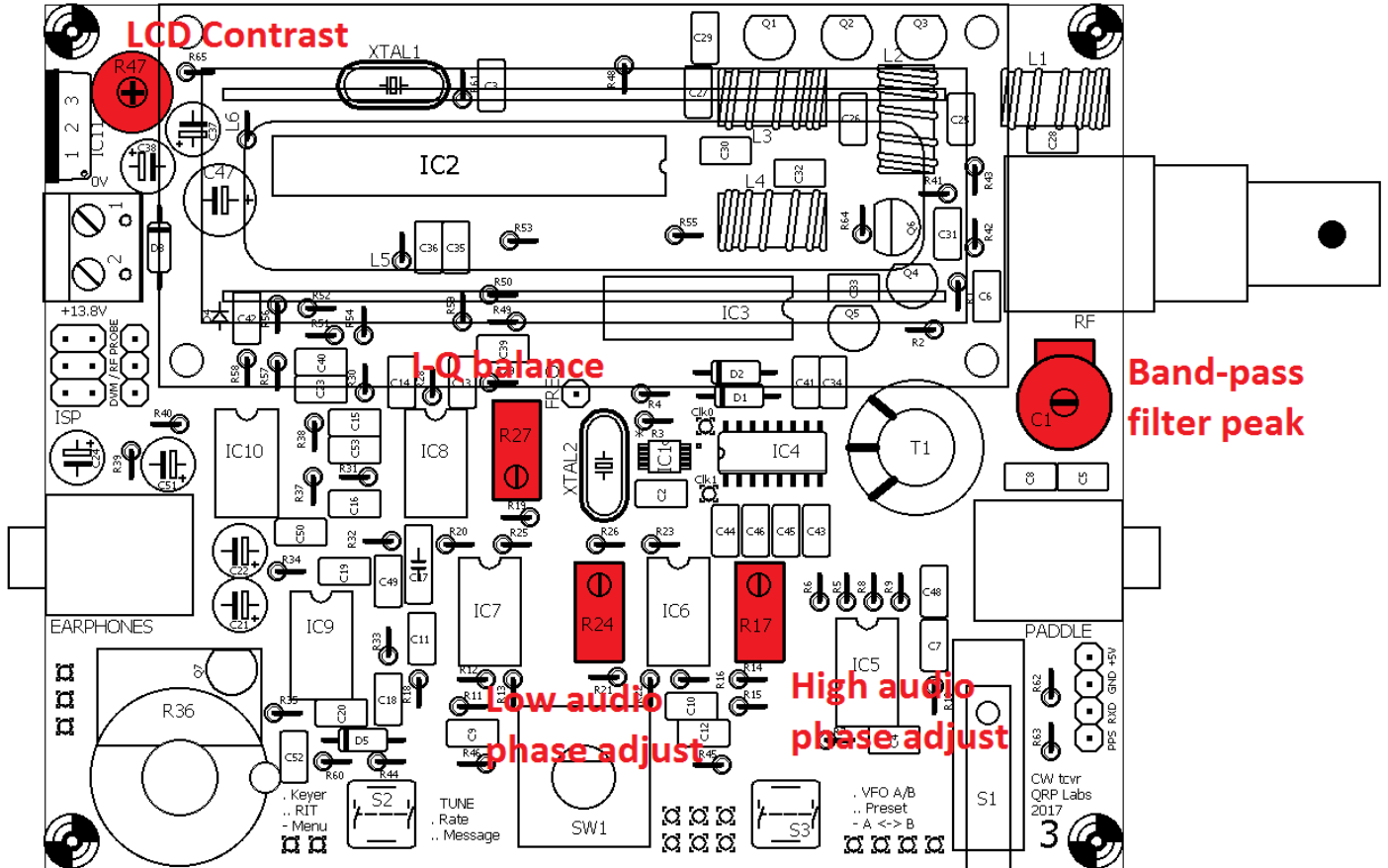
Turn the rotary encoder knob to select the band you have built the kit for. Then press the small button to the left of the rotary encoder, to make your selection.

There are four more adjustments which now need to be made as part of the alignment procedure. The adjustments are:

- Band-pass trimmer capacitor peaking, C1
- I-Q amplitude balance, R27
- Audio phase shift adjustments, R17 and R24

Until these are adjusted, the sensitivity of the radio will be very low. So, do this first, before going any further!

The location of these five adjustments is indicated on the following diagram.



In summary: the alignment tools built into the radio consist of a signal generator which injects a signal into the RF front end, and digital signal processing which adds a 250-Hz digital filter to the existing 200Hz analogue filter, and calculates the amplitude of the signal detected in that bandwidth. During alignment, the amplitude is displayed on-screen as an intuitive bar across the bottom row of the display. Using a screwdriver, you adjust the trimmer component in order to maximise or minimise the displayed amplitude.

### Unplug the antenna during alignment of the radio!

First adjust the band-pass trimmer capacitor C1. To do this, give one long press to the left button. The screen now displays the first menu category:



Turn the rotary encoder until you see the alignment menu:



Now press the left (“select”) button, to enter the alignment menu. For example, for 17m operation, the alignment frequency menu item should already be set to a frequency in the CW section of 17m, as follows:



Now turn the rotary encoder until you see:



Do as it says! **But if you have earphones plugged in, please take them out of your ears first.** The tone will be very loud. Press the left (“select”) button to switch on the signal generator so you can adjust the C1 trimmer potentiometer. Now if you have earphones plugged in (and lying hopefully, on your bench), you will hear a loud tone at 700Hz. The display will look like this photograph:



Adjustment of the C1 trimmer capacitor should change the size of the amplitude bar. You need to adjust the C1 trimmer for MAXIMUM amplitude. When this is done, the peak of the band pass filter will be centred on the CW section of the band.

It is very important to understand the number at the top right of the LCD, here shown as 09. This is an amplitude scaling factor, expressed as a power of 2. In this example, the actual amplitude is divided by a factor of 512 ( $2$  to the power of 9) then displayed on the screen. In this photograph, 27 little vertical bars are shown, which means the actual measured amplitude value is 13,824.

If the displayed bar drops below one third of the width of the LCD, then the division factor is reduced by one and the bar is re-displayed. On the other hand, if the displayed bar overflows the right edge of the screen, the division factor is increased by one. This simple method creates an auto-scaling display of the amplitude.

Therefore, to peak the band pass filter trimmer, first adjust the trimmer capacitor while looking at the division factor in the top right of the LCD. Then carry out the fine adjustment using the displayed amplitude bar. The peak is quite sharp.

Be wary because there can be more than one peak (more than one response of this simple band pass filter). So, tune the trimmer capacitor through its whole range, and determine the maximum scaling factor that you see. In my case here, it is 09. Then make the very fine adjustment necessary to peak the amplitude bar.

When you have peaked the response, check carefully that the C1 trimmer capacitor is not at either end of its range. If it is, this means the resonant circuit is NOT correctly peaked. You need to adjust the number of turns on the long secondary winding of the T1 transformer. Visual inspection will show clearly whether or not the trimmer capacitor is at the end of its range.



### **Perfect!**

OK! The plates of the trimmer capacitor are somewhere nicely in their range, not at the minimum or maximum capacitance. You have found the peak response of the BPF and all is well.



### **Plates completely closed**

Here the fixed and movable sets of capacitor plates are completely meshed, resulting in the highest capacitance. It means MORE inductance is needed. So carefully unsolder one end of the secondary 3 winding of T1, join a piece of wire, and wind it 5 more turns through the toroid. Then try again. Don't worry if it looks a bit messy.



### **Plates completely open**

Here the fixed and movable sets of capacitor plates are completely unmeshed, resulting in the lowest capacitance. It means LESS inductance is needed. So carefully unsolder one end of the secondary 3 winding of T1, remove 5 more turns through the toroid, and resolder. Then try again.

## **Adjustment of I-Q balance**

Now turn the rotary encoder “one click” clockwise to measure I-Q balance.

Note that the previous alignment used the audio signal BEFORE the final amplification stage, so the gain control had no effect on the signal level. In contrast, the I-Q balance and audio phase shift adjustments use the audio signal AFTER the audio amplification stage. This is necessary because these alignment adjustments inject a signal into the opposite (unwanted) sideband, and the signal level is much lower, therefore it needs to be amplified for the microcontroller to be able to measure it accurately. In this case therefore, the gain control DOES now have an effect. I suggest adjusting the gain control approximately to mid-way to start with. This will provide enough gain, yet not so much gain that the amplifiers are driven into overload, which distorts the signal and measurements.

You should try to carry out the adjustments with the measured audio values in the range 5 to 10 (as indicated by the division ratio in the top right of the display). If it reaches 12, the operational amplifiers are limiting, clipping the signal which will make it difficult or impossible to make the adjustment accurately. If the displayed value (top right of the display) is only 2 or 3, that indicates the gain is too low. Therefore, adjust the volume control so that the display is something like 9.

The I-Q trimmer potentiometer is R27. It is a multi-turn trimmer potentiometer so it may need to be turned quite a few times to get to the optimum value! For this adjustment, you are looking for the MINIMUM amplitude, not the maximum we adjusted the BPF trimmer to. We adjust for minimum because now the injected signal is measuring the unwanted sideband. We want to MINIMISE the unwanted sideband level.

## **Adjustment of 90-degrees audio phase shift**

Similarly turn the rotary encoder one more “click” clockwise, which automatically sets the unwanted sideband audio signal to appear at 600Hz, and adjust the “low audio phase shift” trimmer potentiometer, R24. Again, adjust it for MINIMUM signal.

Turn the rotary encoder clockwise one more “click” and adjust the “high audio phase shift” trimmer potentiometer R17, again for minimum signal.

Now it is necessary to go back and forth between these three menu items for minimum unwanted sideband:

- 8.8 I-Q Bal (adjust R27)
- 8.9 Phase Lo (adjust R24)
- 8.10 Phase Hi (adjust R17)

This is because to some extent, these adjustments influence each other. Obtaining the optimum set of adjustments is an iterative process. So, turn the rotary encoder a click at a time anti-clockwise or clockwise, back and forth through these three menu items. Each time make small further adjustments to the appropriate trimmer potentiometer and observe the lower amplitude. Keep doing this until you see that you cannot really manage to get the unwanted sideband any lower in any of those adjustments. Pressing the right (exit) button twice leaves the menu system and returns the radio to normal operation.

Other items in the alignment menu relate to the calibration of the 27MHz reference oscillator of the synthesiser, and the 20MHz system clock oscillator of the microcontroller. These adjustments can be made manually, or by connection of a GPS module such as the QRP Labs QLG1 GPS receiver kit. However, since this calibration is a lot less urgent than the Band Pass Filter peaking and

unwanted sideband cancellation, they are left until the description of these menu items in the operating manual.

Following the adjustment of these alignment trimmers, the radio is ready to use. A lot of settings are available in the configuration menu, and you should read the operation manual to understand and make use of all the features!

## 4. Operating instructions

### 4.1 Overview of features

This 5W CW transceiver kit includes a large number of features defined by the firmware in the ATmega328P microcontroller chip. The following is a brief summary of the features to explore and enjoy. Read the subsequent sections for more detailed information on these features.

#### **Synthesised VFO with rotary encoder tuning**

The VFO is an Si5351A Synthesiser chip, configured by the microcontroller. A rotary encoder tunes the VFO, with a variable tuning rate. The radio includes two VFOs, A and B. You can swap from one to the other, copy the contents of the active VFO to the inactive one, or operate Split (Transmit on VFO A, receive on VFO B). There is also a RIT mode offering a receive offset of up to +/- 9,999Hz. The CW offset is also adjustable, and CW-R (sideband swap) mode is supported.

#### **Memory features**

There are 16 frequency presets for your favourite operating frequencies. Each frequency preset can be edited in the configuration menu, or loaded/saved into/from the currently operating VFO.

#### **Message mode**

The firmware supports storage of 12 messages. Four of these are 100 characters long, the other eight are 50 characters long. A single button click shows the list of messages to send. Message sending can be configured to send just once, or a configurable number of times, or indefinitely repeating. The interval between transmissions is also configurable. The message feature can be useful, for example, for setting up a repeated CQ call with a pause between repeats, during which you can listen for any answers. As soon as you touch the key to begin transmitting, the automatic message mode is cancelled.

#### **CW Keyer**

There is an onboard microswitch which can be operated as a “straight” (traditional) Morse key. The firmware also includes an Iambic keyer, for connection of a paddle. The keyer can be configured to operate in Iambic modes A or B, or Ultimatic mode. The keyer speed is variable both from the configuration menu and via a single button press during operation.

With its solid-state, microcontroller operated transmit/receive switch, the radio can operate in full break-in “QSK” mode, or if you prefer, semi-break in.

#### **CW Decoder**

A CW decoder operates in the chip. This can be useful on air, particularly for newcomers to CW, though it is never anywhere near as good in QRM or weak signal conditions as a good CW



operator using the wet-ware between his ears. The decoder has a “Practice” mode too, for you to practice your CW sending without actually generating RF. The decoder can also be used to conveniently enter text in the message storage, or for configuration of any of the other menu items. The decoder can also be switched off if desired.

### **CW or WSPR Beacon mode**

A beacon is included too, and this can be configured to operate in CW mode or WSPR mode. Owners of the QRP Labs Ultimate-series weak signal mode transmitter kits will be familiar with the operation of WSPR. A GPS module such as the QRP Labs QLG1 GPS receiver kit can optionally be connected to this CW transceiver kit to provide frequency and time discipline, as well as setting the Maidenhead locator (from latitude and longitude) that is encoded in the WSPR message.

### **S-meter and Battery voltage**

An S-meter and battery voltage indicator can be enabled for display on the LCD. These are both configurable to your needs. The battery voltage indicator would be useful if you intend to operate the radio portable on battery power.

### **Built-in alignment tools**

One of the nicest features of this CW transceiver kit, is the built-in alignment tools menu. The radio can act as its own signal generator, injecting an appropriate signal into the receiver front end, then measuring the audio amplitude after single-sideband demodulation. The menu items allow you to easily peak the Band Pass Filter adjustment, and to adjust the I-Q balance and audio phase shift adjustments for best unwanted sideband cancellation.

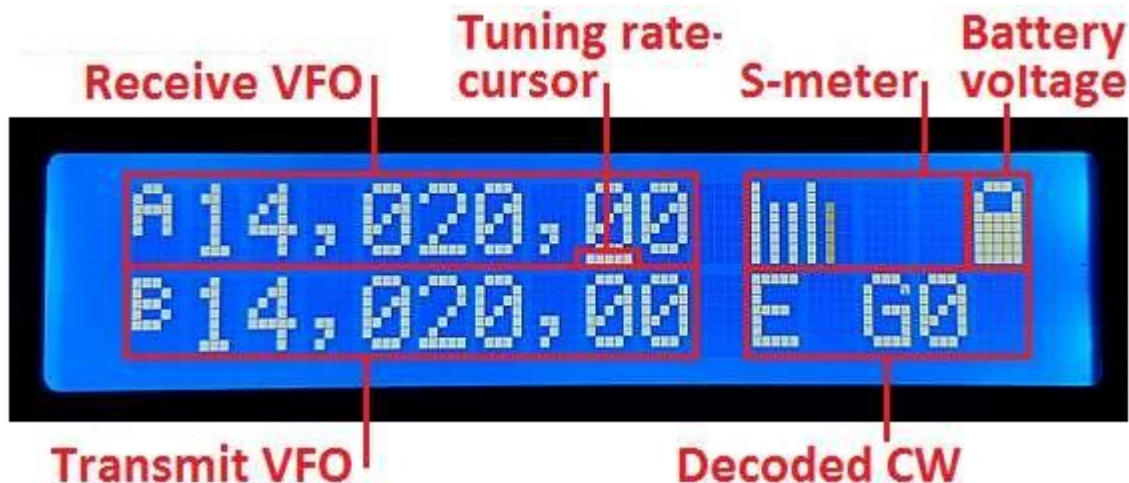
### **Built-in test equipment**

For those times when the assembly didn't quite go as well as we hoped, and we need to do some debugging – the radio includes its own suite of test equipment too! None of these items of test equipment are going to replace a \$100,000 lab any time soon – but they provide very useful measurements for helping people without much test equipment, to debug the radio. They can even be used for testing other projects too!

- Voltage meter
- RF Power meter
- Audio channel amplitude measurements
- Frequency counter (0 to 8MHz)
- Signal generator (3.5kHz to 200MHz)

## 4.2 Display elements

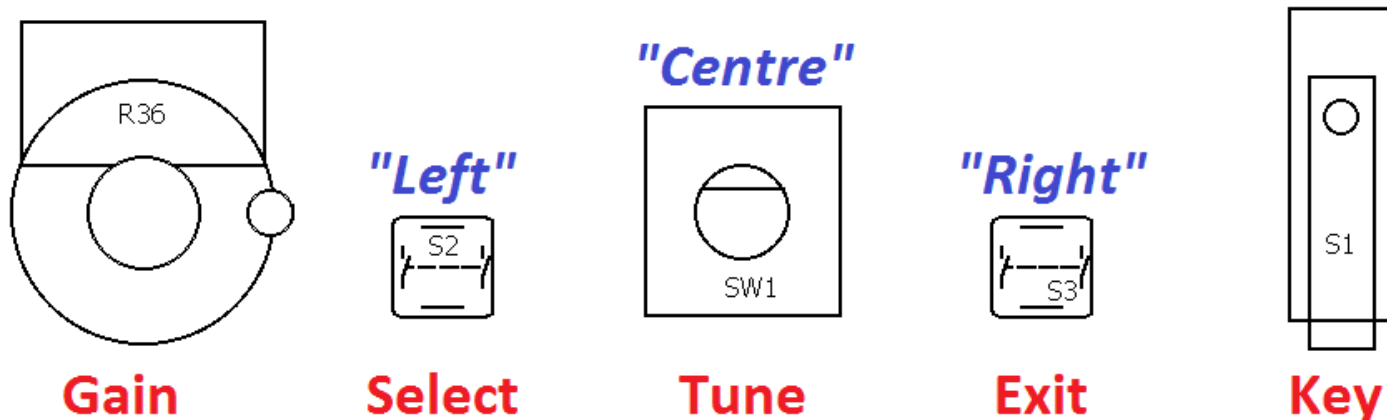
The kit uses a 2 row, 16 character LCD module with a blue backlight.



The main display layout during ordinary operation (which will be called “main operating mode”) is shown in the above photograph. The display during beacon or message transmission modes, menu editing, alignment etc. differs. The main display elements are as follows:

- The receive VFO frequency is always displayed, to 10Hz resolution, at the top left. This may be VFO A or VFO B. The nominally 700Hz CW offset is automatically applied. Ordinarily this frequency is also used for transmission.
- Tuning rate cursor: the underline appears under the digit which is currently tuned by the rotary encoder. In this example, the tuning rate is 100Hz per click, because the cursor is under the 100Hz digit.
- S-meter: these 4 characters display a basic (and not calibrated) S-meter. The scale is configurable (see later description). The S-meter may be shown or hidden.
- Battery voltage: a battery icon appears to indicate the battery voltage in 7 user-definable steps: from full to empty and 5 steps in between. It may also be shown or hidden.
- Transmit VFO: in SPLIT mode, the transmit VFO is displayed on the bottom row of the display.
- RIT (Receiver Incremental Tuning): when not in SPLIT mode, and when the RIT is non-zero, the RIT value is displayed in the bottom left (where the photo shows the VFO B frequency). When RIT is non-zero, and when not in SPLIT mode, the reception frequency is the transmit VFO frequency (which may be VFO A or B) plus the RIT (which may be a negative offset).
- Decoded CW: The remaining space on the bottom row is used for displaying the decoded CW text. When RIT is zero, and you are not operating SPLIT, the whole 16 characters of the bottom row are used for the CW decoder display. However, it may be hidden if desired.

## 4.3 Operator controls



This diagram shows the operating controls of the radio. All of the controls except the Gain potentiometer have multiple functions, depending on the operating mode, menu editing, etc. The tuning rotary encoder in the centre has a button on its shaft that is activated by pressing it, and this button also has multiple functions.

In this document, the three buttons are mostly referred to as "Left", "Centre" and "Right". The original names of the left and right buttons, "Select" and "Exit" respectively, refer to the common actions during configuration menu editing. Select edits a menu item or steps down into a sub-menu; Exit saves an edited menu item or backs up to the parent menu.

It is well worth remembering while you are familiarising yourself with the operation of the radio, that if you get into any unexpected function or menu – you can nearly always press the right (exit) button to cancel and get back to the main operation mode.

Each of the buttons (left, centre, right) may be pressed once, pressed twice (a double-click) or pressed for a long-hold. This facilitates three different functions for each button. In practice, the centre button is stiffer and it is difficult to achieve a double-click; therefore the centre button double-click has no function.

## 4.4 Tune rate

The rotary encoder tunes the active VFO. The rate of tuning is indicated by the underline cursor. In the example below, the underline cursor is under the comma between the 1kHz and 100Hz digits. This means the tuning rate is 500Hz.



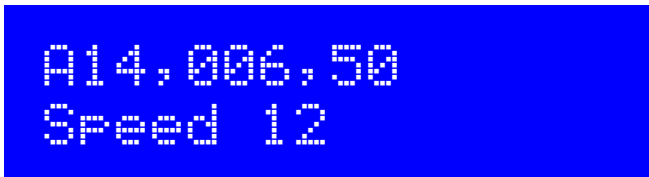
The available VFO tuning rates are 1kHz, 500Hz, 100Hz or 10Hz.

A press of the centre button (in the rotary encoder shaft) causes the tuning rate to change, in the cycle 1kHz -> 500Hz -> 100Hz -> 10Hz -> 1kHz etc.

The default tune rate up at start-up is a configuration item in the VFO menu (see later).

## 4.5 Keyer speed

The default keyer speed (in words per minute) at start-up is a configuration item in the Keyer menu (see later). During operation of the radio, the keyer speed can be easily adjusted. Click the left button once, and the speed will be displayed on the screen:



Now you can adjust the speed using the rotary encoder. Press any button to return to the main operating mode.

## 4.6 RIT

RIT (Receiver Incremental Tuning) allows the receive frequency to be adjusted while the transmit frequency (the displayed VFO frequency) remains the same. It is useful if the other station is off-tune, or drifting; other uses include working DX stations who may be listening on a different frequency some kHz away from their transmit frequency.

This radio transceiver allows RIT values from -9,999Hz to +9,999Hz.

The default RIT at start-up is a configuration item in the VFO menu (see later). RIT can be easily adjusted during ordinary operation by double-clicking the left button:



Now use the rotary encoder to tune the RIT. As you do so, you will hear the RIT immediately applied to the VFO.

The tune rate of the RIT control is again indicated by the underlined digit (here 100Hz). In order to change the tune rate, press and hold the centre button (in the rotary encoder shaft) and turn the rotary encoder at the same time. You will see the cursor move to the left or right 1 digit at a time. Again, the cursor under the comma indicates 500Hz tuning steps.

To cancel RIT tuning (reset the RIT to zero), press the right button (exit); this returns to main operating mode and sets the RIT to zero.

To return to the main operating mode, press the left button (select). Now the RIT is displayed under the VFO, for example:



Remember that cancelling RIT mode is easy, just double-click the left button to show the RIT editing, then press the right button to cancel it (which means, set it to zero).

## 4.7 VFO mode

A single press on the right button changes the active VFO mode. There are two independent VFOs named A and B. There are three VFO modes for using these VFOs:

- VFO A is active as transmit and receive VFO; if non-zero, RIT is applied during receive
- VFO B is active as transmit and receive VFO; if non-zero, RIT is applied during receive
- Split: VFO A is used for receive, VFO B is used for transmit; RIT is ignored completely

Split mode is often used by DX stations, they transmit and receive on separate frequencies.

## 4.8 VFO A/B frequency swap

The contents (frequency) of VFO A and B can be swapped by a single long key-press to the right button. This can be useful when setting up the VFO frequencies.

## 4.9 Frequency Presets

There are 16 frequency presets which may be used for storing your favourite frequencies, or for just temporary use, or however you wish!

The presets are labelled 1 to 16, and can be individually edited in the Preset menu (see later). Often it is more convenient to just save them from the current VFO frequency.

To show the list of preset frequencies in normal operation mode, double click the right button. The display now shows something like this:



The top row of the display shows the currently active VFO frequency as usual.

The bottom row shows a “1” in the 4<sup>th</sup> character, this is the number of the preset displayed. The next number (here 14,035,00) is the frequency stored in Preset 1.

Use the rotary encoder to scroll through the list of presets until you find the one you want. Once you have selected the desired preset, press one of the three buttons to Save, Cancel or Load the preset, as follows:

- SAVE the current VFO to the selected preset, by pressing the left button
- CANCEL the preset operation (back to main operating mode), by pressing the centre button
- LOAD the selected preset frequency into the current VFO, by pressing the right button

The “S” in the first character and “L” in the 16<sup>th</sup> character at the far right, are intended as a reminder of which button to press to Save and to Load.

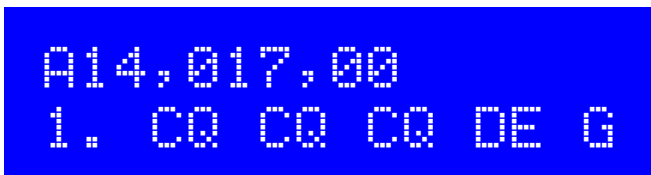


## 4.10 Automated message transmission mode

My favourite use of the automated message transmission mode is to send a CQ call repeatedly. If a station answers, you can start transmitting and it cancels the automatic CQ mode.

There are 12 message memories. The first four memories are 100 characters long; the remaining eight memories are 50 characters long.

In order to send a pre-saved message, press the centre button with a single long press. The first of the saved messages is shown on the screen, for example if a CQ call is stored in Message 1, you may have something like this:



The bottom row shows the message number at the far left (here it is message 1) followed by the first part of the stored message. If it is blank, that means of course that you have not stored any messages yet!

You can now use the rotary encoder to scroll back and forth between the 12 stored messages and find the one which you want to transmit.

The message can be transmitted multiple times according to the “Repeats” parameter in the Messages menu (see later description). The interval between the repeated transmissions is also defined in the Messages menu, in the “Interval” parameter.

Once you have selected the message that you want to transmit, press one of the three buttons as follows:

- REPEAT: Transmit the message repeatedly by pressing the left button
- ONCE: Transmit the message only once by pressing the centre button
- CANCEL: Cancel the messages operation by pressing the right button

When REPEAT message transmission mode is activated, the number of repeats and the interval between repeats is as specified by the Repeats and Interval parameters in the Messages menu.

The stored message transmission is sent at the currently defined keyer speed.

During the actual stored message transmission, you can immediately cancel the transmission at any time by pressing the right button (exit) or by keying the transmitter with the onboard microswitch Morse key, or a paddle if you are using one.

## 4.11 Menu System

There is an extensive menu system with more than 80 different configuration or operating parameters stored in non-volatile memory (EEPROM). These are editable to control every aspect of the radio’s behaviour.

The menus are organised into 9 groups as follows:

- 1. Preset
- 2. Messages
- 3. VFO
- 4. Keyer
- 5. Decoder
- 6. Beacon
- 7. Other
- 8. Alignment
- 9. Test equipment
- Save settings!

To enter the menu system, give a single long press to the left (select) button. Use the rotary encoder to scroll back and forth between the nine sub menu groups listed. To enter one of them, press the left (Select) button. To return to the main operating mode, press the right (Exit) button.

The golden rule while in the menu system, is to press the left (Select) button to go in to a deeper menu level or edit an item, and the right (Exit) button to back up.

In order to edit a menu item, navigate to the menu item then press the left (Select) button to start editing. When you have finished editing the item, press the right (Exit) button to save it.

NOTE that changes to configuration parameters only take effect on the radio, when you leave the menu system and return to the main operating mode. During viewing or editing of menu items, the radio remains in receive mode on the currently selected VFO frequency. The exception to this is certain alignment and test equipment tools, where these need to use parts of the radio.

## 4.12 Saving current operating parameters (VFO frequency etc)

The final (10<sup>th</sup>) item “Save settings!” is a special item which causes certain operating parameters to be stored to EEPROM. These then are the defaults the next time you power up the radio. This is very convenient if you want to recommence operating next time you switch on, with exactly the configuration your radio is in now. The controls sequence to save the settings is very simple. This makes it easy and quick to save your current configuration when you wish to switch off the radio.

- a) Single long press to the left button, to enter the configuration menu system
- b) Turn the rotary encoder one click anticlockwise to show “Save settings!” on the screen
- c) Press the left button once more, to actually save the settings

The list of items saved is:

- VFO Mode (A, B, Split)
- VFO A frequency
- VFO B frequency
- Tune rate
- RIT
- RIT tune rate
- Signal generator frequency

## 4.13 Types of configuration menu item

There are five types of menu configuration item, and editing these is a little different depending on the type.

- 1) LIST: a fixed list of values applicable to that menu item, for example Keyer mode
- 2) BOOLEAN: an ON/OFF parameter, such as used to control whether the battery icon shows
- 3) NUMBER: a numeric parameter such as a stored frequency preset
- 4) TEXT: a text configuration item such as a stored message
- 5) UNEDITABLE: some menu items are display-only, such as the alignment or test tools

## 4.14 Editing a configuration menu parameter

To start editing a parameter, navigate to the desired parameter in the appropriate menu, and then press the left button (Select). When editing is active, you will see a cursor appear under the digit being edited. For example, here is menu item 2.13, the message repeat interval:



The underline cursor below the 4 indicates that editing is active; turning the rotary encoder will change the parameter value.

When you are finished editing, press the right (exit) button to conclude editing. This saves the parameter in the microcontroller's EEPROM memory.

A flashing inverted cursor is also available, you can choose that in the "Cursor Style" parameter in the "Other" menu (see later section).

## 4.15 Editing a LIST parameter

Editing a list parameter is very simple, it is just a matter of turning the rotary encoder. The display scrolls through the list items. For example, this is the Keyer mode parameter, menu 4.1:



Note that the editing indicator cursor appears under the leftmost character.

When you are happy with your selection, press either the left or right buttons, to save the change.

## 4.16 Editing a BOOLEAN parameter

Editing a BOOLEAN parameter is exactly the same as editing a LIST parameter, except that now the list of items is always restricted to just ON and OFF (representing True/False).

## 4.17 Editing a NUMBER parameter

When editing a number parameter, the cursor underline appears under the currently edited digit. The cursor starts at the far left (most significant digit). The rotary encoder tunes the digit. The operation is very similar to tuning a VFO in ordinary operation. This example shows editing the default (power-up) VFO A frequency:



To alter the “tuning rate”, you can either

- a) Press the left (select) button to move the cursor to the next digit to the right OR
- b) Press and hold the centre button, while turning the rotary encoder shaft – this allows you to move the cursor left or right.

Editing of the number is concluded, and the number is stored to EEPROM, when either:

- a) You press the right (exit) button OR
- b) You press the left (select) button so many times that the cursor falls off the right hand side

Yet another way to input numbers, which is a REALLY convenient way, is to use the Morse key and CW decoder! During editing of numeric parameters, the CW decoder is activated but only decodes number characters 0-9. The CW decoder expects well-timed CW, with correct spacing between words and characters. The CW decoder expects you to key in the numbers at near to the configured Keyer speed. If you start keying at a much different speed, the CW decoder will adapt to your keying but this may take several characters to “sense” your keying speed, so some characters can be missed.

When you have keyed in the whole number, the number is automatically saved to EEPROM, which leaves editing mode. Once you are used to editing numeric parameters by keying in CW, it becomes the easiest and fastest way to edit menu parameters.

## 4.18 Editing a TEXT parameter

An example of a text parameter you may wish to edit is the stored messages. For example, stored message 2 is edited in menu item 2.2:




By far the easiest way to edit TEXT parameters is simply to use the CW decoder! As before, it expects well-timed CW, with correct spacing between words and characters. The CW decoder expects you to key in the characters at near to the configured Keyer speed. If you start keying at a much different speed, the CW decoder will adapt to your keying but this may take several characters to “sense” your keying speed, so some characters can be missed.


Editing of the parameter is concluded either when you press the right button (exit), or when no more characters are available for editing; for example, if you filled up the chosen Message memory.


It is also possible to edit a text parameter entirely with the buttons and rotary encoder, though this is usually a slower way to edit text parameters. Owners of the QRP Labs Ultimate3S (or earlier) QRSS/WSPR transmitter kits will already be familiar with this style of editing text.

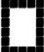
The text parameter supports all of the characters which the Message keyer can encode, which is the same as the CW decoder can decode. Specifically, A to Z, 0 to 9, Space, then punctuation characters / \ ? . , (note, the break character \ appears at the moment as the Japanese yen character ¥ - this will be fixed in a future firmware version).


The following characters/symbols have special functions.

 **Insert:** Use this symbol to insert a character in the text. Find this character using the rotary encoder, then press the left button to activate it. All the characters to the right of the cursor position are shifted right one position, including the character which was originally in the current position.

 **Backspace (delete):** If you select this character as the current character using the rotary encoder, then when you press the left button, the current character is deleted and the cursor moves back left one position.

 **Delete all:** If selected as the current character, pressing the left button has the effect of deleting the entire message, starting again at the left of the screen. There is no “undo”, so use with caution!

 **Enter Right (finished):** The behaviour of this symbol is the same as Enter, except that it preserves all the text, including the text to the right of the cursor. It simply saves the whole line.

 **Enter (finished):** If selected as the current character using the rotary encoder, pressing the left button is used to finish editing the setting. The setting is saved, and you leave editing mode. Note that the text that is saved is only the text to the left of the Enter symbol. If you select this symbol and press the left button when you are not at the furthest right position of the message, then everything right of your position is deleted.

You can also move the cursor backwards and forwards within the text being edited, by pressing and holding the centre button, then turning the rotary encoder. This moves the cursor position within the text parameter.



## 4.19 Frequency presets menu

There are 16 frequency presets, labelled 1 to 16. This example shows Preset 5:



All of the Preset menu items are NUMBER types. Refer to the “Editing a NUMBER parameter” section above for instructions on how to edit a NUMBER parameter.

It is also convenient to load the current VFO into the preset memories as described in the section above titled “Frequency Presets”.

## 4.20 Messages menu

There are 14 configuration items in the Messages menu:

- 2.1 Message 1 (100 characters text stored message)
- 2.2 Message 2 (100 characters text stored message)
- 2.3 Message 3 (100 characters text stored message)
- 2.4 Message 4 (100 characters text stored message)
- 2.5 Message 5 (50 characters text stored message)
- 2.6 Message 6 (50 characters text stored message)
- 2.7 Message 7 (50 characters text stored message)
- 2.8 Message 8 (50 characters text stored message)
- 2.9 Message 9 (50 characters text stored message)
- 2.10 Message 10 (50 characters text stored message)
- 2.11 Message 11 (50 characters text stored message)
- 2.12 Message 12 (50 characters text stored message)
- 2.13 Interval
- 2.14 Repeats

The 2 stored message presets are 100 or 50 characters long, according to the list above. For example:



Turn the rotary encoder to select the Message from 1 to 12 which you wish to edit, then press the left (“select”) button. Now you can edit the message text in one of two ways:

- 1) Choose each character individually from the list, using the rotary encoder. When you have chosen the correct character, press the left (“select”) button to move to the next character. This process is described in more detail in the preceding section on editing text parameters.
- 2) Key in the desired text on the straight Morse key on the board, or using your external paddle. The CW decoder must be enabled for menu editing (see “Enable edit” parameter).

## 2.13 Interval 20

The Interval is a NUMBER parameter that specifies the interval in seconds, between repeated transmission of a stored message (if repeats are configured: see next parameter).

## 2.14 Repeats Ad infinitum

The Repeats parameter specifies how many times the message transmission will be repeated, in the repeat transmission mode. The Repeat parameter is actually a LIST type, since it can be a number from 1 to 99, or “Ad infinitum”. In the latter case, the Message transmission continues indefinitely (ad infinitum).

## 4.21 VFO menu

The VFO menu contains a number of configuration parameters which affect the VFO operation and CW reception. Many of these parameters are only power-up default parameters for the VFOs. The current VFO frequency, mode etc is not stored in these parameters. If you wish to save the current VFO frequency, mode etc into EEPROM so that when the radio is next powered up, the exact same state is available from power up, use the “Save settings!” feature described previously.

These configuration items in this menu are explained below.

## 3.1 VFO mode A

This parameter specifies the VFO mode at power-up. It can be A, B or Split. The current VFO mode during ordinary operation is not stored in this parameter unless you “Save settings” as described previously.

## 3.2 VFO A 14,027,500

This parameter specifies the VFO A frequency at power-up. The current VFO A frequency during ordinary operation is not stored in this parameter unless you “Save settings” as described previously.

```
3.3 VFO B
14,032,500
```

This parameter specifies the VFO B frequency at power-up. The current VFO B frequency during ordinary operation is not stored in this parameter unless you “Save settings” as described previously.

```
3.4 Tune rate
100 Hz
```

This LIST parameter specifies the Tune rate power-up. Available values are: 10MHz, 1MHz, 100kHz, 10kHz, 1kHz, 500Hz, 100Hz, 10Hz or 1Hz. The current Tune rate during ordinary operation is not stored in this parameter unless you “Save settings” as described previously.

```
3.5 RIT
+0,000
```

This parameter specifies the RIT at power-up. The current RIT amount during ordinary operation is not stored in this parameter unless you “Save settings” as described previously.

```
3.6 RIT rate
10 Hz
```

This parameter specifies the RIT tuning rate at power-up. The current RIT tuning rate during ordinary operation is not stored in this parameter unless you “Save settings” as described previously.

```
3.7 CW mode
CW
```

This LIST parameter specifies the CW mode. Ordinarily CW is received in Upper sideband with a 700Hz offset. They may be some occasions where operation on the other sideband is desired (lower sideband), for example to exclude an interfering nearby station when the CW filter performance is asymmetric. In these cases you can change the parameter value to CW-R (reverse mode CW) to select Lower sideband reception mode.

```
3.8 CW offset
700
```

This parameter specifies the CW offset in Hz. It is the difference between the VFO frequency during transmit and receive. It is automatically applied during receive in order to resolve a perfectly netted transmission on the same frequency as yours, at 700Hz audio output.

If you wish to change the CW offset frequency you may do so using this parameter. However, be warned that the 200Hz audio analogue filter in the circuit is still centred on (approximately) 700Hz. If you moved the configured CW offset frequency too far away, then the received audio will fall outside the CW filter and be attenuated.

```
3.9 Band
20m
```

The chosen band configuration for your radio. On first powering up the radio, the display requests your selection of band, and it is stored in this configuration parameter. You are not likely to need to touch this setting again. Changing the band results setting sets a frequency in the chosen band, 20kHz above the lower band edge. This frequency is written into:

- VFO A
- VFO B
- Presets 1 to 16
- Alignment frequency
- Beacon frequency

## 4.22 Keyer menu

The Keyer menu contains a number of configuration parameters relating to the CW keyer, which are described below.

```
4.1 Keyer mode
Straight
```

The mode of the CW keyer function in the firmware. Possible modes are:

- Straight
- IAMBIC A
- IAMBIC B
- Ultimatic

If you wish to use a traditional up/down Morse key, or the onboard microswitch, these are called “straight” keys and you should select the “Straight” mode. If you wish to use a modern paddle plugged into the 3.5mm socket on the right side of the transceiver PCB, then select the desired operating mode e.g. IAMBIC A.

## 4.2 Keyer speed 12

This is the default power-up speed of the Keyer function in Words Per Minute (wpm). The current Speed during ordinary operation is not stored in this parameter unless you “Save settings” as described previously.

Keyer speed can be altered easily from the ordinary main operating mode, with a single press of the left button, as described previously.

Keyer speed is also used for stored message sending, and for the beacon function when in CW mode.

The keyer speed is also used to configure the CW decoder during transmit or during menu item editing. When transmit or editing are commenced, the speed is copied into the CW decoder and initialises it. Thereafter if you transmit (or enter data during editing) at a different speed, the CW decoder will adapt to your speed. However, if the speed difference is large, the adaption can take several characters to correctly “sense” your keying speed, which can result in incorrectly decoded characters or missed characters.

## 4.3 Keyer swap OFF

This is a BOOLEAN parameter which lets you swap the “dit” and “dah” connections in software, if you find that your paddle is reversed.

## 4.4 Keyer Weight 500

Ordinarily Morse dit and dah durations have a 1:3 ratio. The space between symbols is equivalent to 1 dit, between characters 3 dit lengths, and between words 7 dit lengths. This is standard Morse timing. However, some people may wish to alter this, for various reasons.

The Keyer Weight parameter allows variation of the ratios. The value has three digits. The default value of 500 corresponds to 50.0%. This means the “duty cycle” of a stream of dits is exactly 50%. The key-down dit length is therefore the same as the key-up inter-symbol pause.



If the weight is increased from the default 50.0%, then the key-down “dit” is made longer. A “dah” is lengthened by the SAME amount. The corresponding inter-symbol (or character, or word) gap is shortened by the same amount. The additional time spent on the key-down is therefore taken from the key-up period. The keyer speed is unchanged by altering the weight parameter.

As an example: suppose you want to make your Morse sound “harder” by shortening the dits and dahs. You could set the parameter to 450, which means 45.0%.

The parameter range is 050 to 950 (5% to 95%) though you would not normally ever need to go anywhere near these unreasonable limits. In the event that you enter a value outside this range, the firmware automatically applies these limits to the actually used parameter.



```
4.5 Auto Space
OFF
```

Auto-spacing means that the pause between CW characters is forced to be 3 dit lengths (more or less, if you have CW weighting configured, see above).

The majority of keyers do not implement auto-spacing. You use the paddle to send your dits and dahs making up the Morse character you wish to send. As soon as you next press the paddle, the next character is started. The keyer forces correct 1:3 ratio of dits and dahs and inter-symbol spacing, but it does not force you to wait for the correct duration of 3 dits between transmitted characters.

Some keyers do implement automatic character spacing, such as the old (1973) Accu-Keyer design by James WB4VVF see <https://inza.files.wordpress.com/2011/01/accu-keyer.pdf> .

This configuration therefore allows you to switch on automatic character spacing if you wish. In this case, if you press a paddle too SOON, before the 3 dit durations have elapsed after the last character completed, the keyer will wait until the correct time to start the next character.

In the even that you press the paddle too LATE, there is nothing the keyer can do to travel back in time and force it to 3 dit lengths for you. You might have intended an inter-word space, for example. So pressing the paddle too late cannot be corrected.



```
4.6 QSK
Full
```

This setting defines the break-in (QSK) behaviour of the radio. Two settings are possible:

**Full:** after the delay time for RF envelope shaping, the Transmit/Receive switch is set to “Receive” shortly after key-up. In this way, you will hear the other station (or any QRM, QRN etc) transmitting in between the dits and dahs of your own transmissions. Many experienced operators like to be able to have a feel for what is happening on the band, in between their key-downs. In some ways you feel like you are listening to your own sidetone audio as just another signal on the band, and you can still hear other signals too.

**Semi:** After key-up, there is a delay before the Transmit/Receive switch is set back to “Receive” mode. The receiver is therefore kept muted during your whole CW transmission, not listening to the band in between your transmitted symbols. Many operators prefer to avoid the distraction of hearing the band between their dits and dahs. In Semi-QSK mode the Transmit/Receive switch is set back to “Receive” only after a suitable delay (of 8 dit lengths), long enough to occur only at the end of the transmission.



```
4.7 Practice
OFF
```

Normally you would leave Practice mode switched OFF. However if you want to practice sending CW, and see if the CW Decoder can decode you, then you can switch Practice mode to ON. In practice mode, the radio does everything it normally would, except that it never sends any RF power to the antenna!



```
4.8 Sidetone frq
700
```

This NUMBER parameter allows you to change the Sidetone frequency if you wish. Sidetone is the audio tone which is generated by the microcontroller on key-down and injected into the audio signal path. Sidetone is ONLY an operator convenience to let you hear your keyed signal, and has no impact at all on the transmitted RF amplitude or frequency.

It is strongly recommended to leave the Sidetone frequency set to the same frequency as the CW Offset frequency in the VFO menu. Your ears will get used to recognising the 700Hz audio tone, and it makes it then much easier to accurately tune to a station you hear transmitting on air, such that his signal will also be at 700Hz audio in your receiver. When you hear him at 700Hz, he will be in the middle (near, anyway) of your CW audio filter. When you transmit you will also be netted accurately to his frequency. All being well, this should mean that your signal also ends up nicely in his CW filter passband too. Then you can QSO!



```
4.9 Sidetone vol
99
```

You can use this parameter to reduce the volume of the sidetone audio. Most people will find the default setting of 99 too loud. So experiment with lower values until you find a sidetone audio level which you find comfortable.

## 4.23 Decoder menu

The Decoder menu contains a number of configuration parameters relating to the CW decoder, which are described below. Some of these parameters control some aspects of the decoder behaviour. Some constructors may find it interesting to experiment with these settings and see if you can improve the performance of the CW decoder in your specific circumstances. For example, some stations may experience more noise interference than others, depending on your location etc.



```
5.1 Noise blank.  
10
```

This parameter defines the duration of the noise blanker in milliseconds. The microcontroller's 10-bit ADC samples audio at 12.019 samples per second. 48 samples are analysed by an implementation of the Goertzel algorithm (kind of a single bucket of a Fourier Transform), which results in a digital filter bandwidth of 250Hz. In other words, it results in a measurement of the amplitude 250 times per second, i.e. once every 4 milliseconds. The amplitude is analysed by logic which compares it to a threshold amplitude to decide if a tone has been detected or not. Impulse noise that generates shorter pulses than the noise blanker parameter, is ignored.

If the noise blanking period is too short, then noise impulses will not be blanked effectively. On the other hand, if the noise blanking period is too long, then it will impair the decoder's ability to decode high speed Morse. For example, 24wpm Morse has dits lasting 50 milliseconds.



```
5.2 Speed avg.  
07
```

The duration of dits and dahs is measured in order to define a threshold at which to define a tone burst as a dit or a dah, and whether to define no tone at all as an inter-symbol, inter-character or inter-word gap. The measurement of this timing is implemented via an exponential moving average, whose averaging duration is determined by this parameter (the weight of each new measured symbol in the accumulated average).

If the exponential moving average is too fast (the parameter value is too low) then noise etc will throw off the timing averages too easily. If the exponential moving average is too slow (the parameter value is too high), then too many characters of the other station's transmission will be missed, while we try to adjust to the speed of his sending. This can be particularly offensive in some contest or pileup situations where exchanges are very short.

### 5.3 Ampl. Ava. 60

The decoder maintains an amplitude threshold, which it uses to decide whether a tone is detected or not. The level of this threshold must be varied automatically in order to cope with stations having a wide range of different signal strengths. Other perils may include QSB (signal fading) of the station you are listening to. The amplitude threshold is implemented via an exponential moving average. The weighting of each new sample (every 4ms) added to the accumulated exponential moving average value is the reciprocal of this parameter.

If the exponential moving average is too fast (the parameter value is too low) then noise etc will too easily throw off the amplitude threshold and it may take time to recover to its proper level. If the exponential moving average is too slow (the parameter value is too high), then it may take too long to adjust to the received station's amplitude, resulting in missed characters while the decoder slowly adjusts itself. It would also be too slow to automatically respond to QSB (signal fading).

### 5.4 Enable Rx ON

An experienced CW operator may well dislike the CW decoder scrolling across the display all the time. With this setting you can switch "Enable RX decode" to OFF and the receiver decoding is disabled.

### 5.5 Enable Tx ON

With this setting you can switch "Enable TX decode" to OFF and the transmit decoding is disabled. When this setting is ON, the CW decoder will decode your own keying and display it on the screen while you transmit. For an experienced CW operator that may be distracting too!

### 5.6 Enable edit ON

This parameter enables CW decoding while editing. When ON, anything you key during editing of NUMBER or TEXT type configuration parameters, edits the parameter. This is a really useful feature that makes it very easy to enter frequencies or stored messages, for example.

## 4.24 Beacon menu

The beacon function is an added bonus feature of this QRP Labs CW transceiver kit! We already have extensive experience for several years, developing the Ultimate-series QRSS/WSPR transmitter kits (current incarnation, the Ultimate3S). These have a huge array of functionality and modes including CW, QRSS, DFCW, FSKCW, Hellsreiber (full speed and slow FSK), WSPR, JT9, JT65, ISCAT, Opera and PI4. The vast majority of people use the Ultimate3S kit for WSPR operation. Since it costs nothing (no extra hardware, at least) to add this functionality to the CW transceiver, why not! Let's do it!

The CW transceiver beacon function therefore contains a simplified WSPR implementation which can transmit standard WSPR messages. It also has a GPS interface for discipline of time, frequency and Maidenhead locator. The implementation of course does not have the full range of flexibility and functionality as the Ultimate3S kit.

**WARNING:** WSPR transmissions operate a continuous 100% key-down duty-cycle for almost 2 minutes. You should check carefully whether the BS170's get too hot during this period. WSPR is much more demanding on the PA transistors than CW. If you are operating with higher output powers (by using a relatively high power supply voltage) then you might notice the BS170s get unreasonably hot. Even though the output stage is Class-E, nothing is 100% efficient! It will still dissipate some power as heat. In this case you may need to fix the BS170 transistors to a small heatsink to help dissipate the heat. The BS170 transistors Q1, Q2 and Q3 are placed at the edge of the PCB with their flat sides facing outwards, to facilitate this

The beacon function can also operate a CW beacon.

### **Weak Signal Propagation Reporter**

WSPR stands for Weak Signal Propagation Reporter. It is digital message format filled with clever forward error correction. The message consists of three parts: the operator's callsign, Maidenhead locator (4-character, e.g. IO90) and two digits specifying the power. At the receiving station, messages are decoded and uploaded to a central internet database. At any time you can go to WSPRnet <http://wspn.net> and click on the map, enter your callsign (and other filters if you wish), and see a map of where your signal is being heard.

You could also undertake more in-depth propagation studies by downloading the database of reception reports.

The WSPR message is encoded into a set of 162 symbols, each may be 0, 1, 2 or 3, using a compressed data format with forward error correction. The symbols are transmitted as tones, each tone separated by 12,000 / 8,192 Hz i.e. approximately 1.46Hz. The duration of each symbol is the reciprocal of the tone spacing, which is approximately 0.683 seconds. WSPR messages take about 110.6 seconds to transmit, and always start at even minutes past the hour.

Due to the very narrow 6Hz bandwidth of the transmission, and the clever forward error correction, WSPR signals can propagate globally even with a fraction of a watt.

In WSPR, timing is critical, so when using WSPR you must set the time configuration parameter as exactly as possible. Be sure to keep the editing cursor under the rightmost (1-minute) digit of the time parameter, watch your clock until the seconds turn over to 00, and then press the left button. This will ensure the seconds are in sync with your real clock time. If careful attention is given to setting the frequency and the real time clock, then successful WSPR reports will be obtained. Of course these things are easier if you are using a GPS module: the Maidenhead



locator will be calculated from the received latitude and longitude, and the time decoded nicely from the GPS serial data stream.

The microcontroller in this kit takes care of the WSPR message encoding algorithm, without any assistance from a PC host computer. It also calculates the tone spacing and symbol duration.

In between message transmissions, the display will show instead just a clock (see below), while we wait patiently for the next WSPR transmission to begin, according to the settings of the configuration parameters Frame and Start. This is useful for checking that the time on your kit is accurately set. The display also shows the minute at which the next frame will start transmitting. In the example below, the time is 14:55:31 UT and the next frame will start at 14:56:01.



When a GPS unit is connected, the firmware automatically uses the 1 pulse-per-second signal to measure the transmit frequency and compensate for any inaccuracy due to calibration error or frequency drift due to temperature. The serial data stream from the GPS is used to set the real time clock (for syncing the WSPR transmission timing). The Maidenhead locator is computed from the latitude and longitude information parsed from the GPS serial data.

A WSPR transmission takes 1 minute and 52 seconds. The GPS time and location data is parsed from the GPS serial data stream at the END of every WSPR transmission. On the first WSPR transmission after power up, the time may not be accurate. The 27MHz synthesiser reference frequency is measured and adjusted, in a 4 second period after the end of the WSPR transmission. Parsing the time and location, and adjusting the 27MHz reference frequency, all takes place in under 7 seconds. The process is completed before the start of the next WSPR transmission slot. Nevertheless, you should not configure your kit for continuous WSPR transmissions in every 2-minute WSPR slot (Frame parameter is 2), which is considered very antisocial to fellow WSPR operators.

A GPS receiver isn't essential for WSPR operation but it is highly recommended because it makes operation more accurate, easy and fun.

During the actual WSPR message transmission, the display shows something like this:



The elements of this display are explained as follows:

- 14,097,140 Transmission frequency (tone 0)
- 122 Current symbol is 122 (of 162 symbols making up a WSPR transmission)
- 2 Current tone being transmitted (one of 0, 1, 2 or 3)
- G0UPL Callsign encoded into the transmission
- IO90 5-character Maidenhead Locator square, encoded into the transmission
- 37 Power in dBm, encoded into the transmission

On a PC spectrum display such as the Argo software <http://www.weaksignals.com/> WSPR messages look something like the screenshot below when received locally (or usually worse, because you probably are over-driving your receiver when receiving your own signal!):



WSPR decoding takes place in the WSPR program by K1JT (see <http://physics.princeton.edu/pulsar/K1JT/wspr.html> ). Below is a screenshot showing the WSPR 2.0 screen following reception of a few transmissions (output frequency = 1,500Hz, Frame = 02, Start = 00).

WSPR 2.0 by K1JT

File Setup View Save Band Help

300  
250  
200  
150  
100

202 GOUPL

5-22 05-24 05-26 05-28 05-30 05-32 05-34 05-36 05-38 05-40 05-42 05-44 05-46

Upload spots 87 Hz Band Map

Frequencies (MHz)  
Dial: 10.138700  
Tx: 10.140200

Tx fraction (%)  
0  
0 10 20 30 40 50 60 70 80 90 100

Special  
 Idle  
Tune

UTC	dB	DT	Freq	Drift	Message
0540	9	-0.6	10.140202	0	GOUPL IO90 23
0542	9	-0.6	10.140202	0	GOUPL IO90 23
0544	9	-0.5	10.140202	0	GOUPL IO90 23

Erase

2012 May 19  
05:48:01

Rx Noise: 9 dB

Decoding Receiving

A number of other software packages are now also capable of decoding WSPR transmissions.

NOTE: the GPS interface is connected in parallel in the circuit, with the paddle. Therefore, you should NOT have the GPS connected, while operating the radio as an ordinary CW transceiver. If you do, the GPS serial data and 1pps will key the transmitter! Disconnect the GPS before using the radio as a CW transceiver.

The following sections describe the configuration parameters in the Beacon menu.

## 6.1 Beacon OFF

This is the master switch controlling whether beacon mode is enabled or not. If beacon mode is enabled, then the radio starts operating in beacon mode on power-up.

While beacon mode is operational, it can be cancelled immediately at any time by pressing the right (exit) button. Remember that you should not have a GPS connected, when in ordinary CW transceiver mode – it would key the transmitter since the GPS and paddle share the same processor I/O signals.

Beacon mode is entered upon leaving the configuration menu system, if the beacon is enabled by having this parameter set to ON.

## 6.2 Mode WSPR

This parameter determines the transmission mode during beacon operation. There are two possible beacon modes:

**CW:** the kit simply sends stored message 1 repeatedly, according to the configured Keyer speed, and with message start timing determined by the Frame and Start parameters (see next sections).

**WSPR:** the kit sends WSPR according to the configuration parameters in the following sections.

## 6.3 Frequency 14,097,140

This parameter determines the transmission frequency during beacon operation. In WSPR mode, this is the frequency of tone 0.

It should be noted that the WSPR sub-bands on the bands are only 200Hz wide. You need to have your 27MHz reference oscillator accurately calibrated so that you can be sure your actual transmission frequency is close to the frequency specified in this parameter. You also need to specify the correct frequency so that your transmission is inside the appropriate 200Hz sub-band.

Note that these are the actual transmission frequencies, there is no CW offset, no RIT, no other modifications. The specified frequency is also DIFFERENT from the “USB dial frequency” specified at WSPRnet <http://wsprnet.org> – the “USB dial frequency” is 1500Hz lower than the actual transmit frequency, so that the decoded audio is at 1500Hz.

Therefore, ensure that for WSPR transmissions, you choose a frequency in one of the WSPR sub-bands according to the following table:

80m:	3.594000 – 3.594200
60m:	5.288600 – 5.288800
40m:	7.040000 – 7.040200
30m:	10.140100 – 10.140300
20m:	14.097000 – 14.097200
17m:	18.106000 – 18.106200
15m:	21.096000 – 21.096200
12m:	24.926000 – 24.926200
10m:	28.126000 – 28.126200



6.4 Frame  
10

This parameter defines the repetition rate of the WSPR transmission. In the example shown here, Frame 10, this means that the WSPR message will be transmitted once every 10 minutes.

Transmission in every 2 minute WSPR slot is considered anti-social. 10 minute repeat transmissions is usually considered normal.



6.5 Start  
04

If everybody transmits with 10 minute repetition rate starting on the hour, then there will be bursts of activity every 10 minutes where everyone is transmitting at once, and the potential for interference from another station will be large. To avoid this, you can define the start timer. In this example a start time of 04 means that the first transmission will start at 4 minutes past the hour, and subsequent transmissions will commence at Frame minutes after that – in this case, 14, 24, 34 etc minutes past the hour.



6.6 WSPR call  
G0UPL

The WSPR callsign is the first parameter which is encoded into the WSPR message. Your callsign must obey certain restrictions imposed by the WSPR protocol. These restrictions helps ensure that the WSPR encoding process can compress callsigns efficiently, along with the Maidenhead Locator square and Power level, into only 50 binary bits of information in total.

The callsign can only be 4 to 6 characters long. The callsign must consist of the following:

- 1) One character which can be A-Z or 0-9 or a SPACE
- 2) One character which can be A-Z or 0-9
- 3) One character which must be a number 0-9
- 4) Three characters which can be A-Z or a SPACE

For callsigns such as mine, consisting of 5 characters, I must enter a space character as the first character in order to satisfy these callsign rules.

If the callsign you enter does not obey the necessary rules, then an error message is displayed on exiting the configuration menu system:



```
Beacon error!  
WSPR call
```

In this case, go back to the WSPR Call parameter and try to understand how to correct it in order to make your callsign satisfy the requirements.

Note that if entering the callsign text using the key, you cannot enter a space with the key! So, you will need to enter the initial space character (if required) using the buttons and rotary encoder as discussed in the earlier section on editing TEXT parameters.



```
6.7 WSPR locator  
I090
```

The Locator is the second parameter which is encoded into the WSPR message. It is the 4-character Maidenhead square. The text you enter here, must be a valid Maidenhead square, otherwise an error message will be generated on exiting the configuration menu system.

If you have connected a GPS receiver, the GPS receiver can update the Locator, computing it from the latitude and longitude information contained in the serial data string from the GPS receiver module.



```
6.8 WSPR Power  
37
```

The third and final parameter encoded into the WSPR message is the transmitter power, defined in dBm. Note that this parameter is manually edited here and is encoded into the WSPR message. It does NOT indicate a measured power which is actually transmitted. This is a common misconception. It only indicates what number the operator configured for the WSPR message encoding.



WSPR powers are constrained to certain values 0, 3, 7, 10, 13, 17, 20, 23, 27, 30, 33, 37, 40, 43, 47, 50, 53, 57 and 60dBm. If you specify a value not in this list, then an error message will be generated on exiting the configuration menu system.

In this example, the configured value is 37dBm which corresponds to 5 watts of RF transmitter output.



The kit has an internal real time clock which is used for timing the beacon (WSPR and CW) transmissions. This configuration allows you to set the real time clock. The clock setting takes effect, and the seconds (internally counted but not displayed) are set to zero, when editing of this menu is concluded: either by pressing the left button after setting the minutes, or by pressing the right button at any time.

Accurate timing is critical for the WSPR (etc) modes. With careful adjustment of the "System freq." parameter, the 20MHz oscillator will keep accurate enough time for WSPR for up to a week, even without GPS.

Note that if using a GPS module and if there is a valid serial data stream properly decoded, then the time is set automatically.

An accurate real time clock is not required other than for the WSPR beacon transmission timing.

## 4.25 Other menu

This menu contains miscellaneous other settings which do not fit well in other configuration menu categories.



```
7.1 Obl. click
300
```

This is a NUMBER parameter which controls the decisions on what type of press has been made to a button. By default, it is set to 300 milliseconds (as shown here) but you may alter this if you wish.

It is the number of milliseconds after first pressing the button, at which certain decisions are made:

- a) If you have not pressed the button again after this interval, then it means you intended a single press.
- b) If you are STILL pressing the button all this time later, 300 milliseconds after the first press, then it means you executed a “single long press”.
- c) If you pressed the button again before the 300 milliseconds elapsed, it is a “double click”.



```
7.2 Batt. show
OFF
```

This BOOLEAN parameter controls whether or not the battery icon is displayed on the screen at the top right corner. Measurement and display of battery voltage may be useful to those operators who intend to operate the radio from battery power, for example during portable operations.

In order to measure and display the battery voltage, it is necessary to jumper the “DVM” input header pin to the supply voltage header pin. This hardware wiring is described elsewhere in this document.



```
7.3 Batt. full
13,800
```

This is the voltage, specified in millivolts, at which the battery is considered “full”.

```
7.4 Batt. step
1.000
```

This is the step, specified in millivolts, for each bar of the battery icon.

In this example, Batt. full is defined as 13.8V and the step is 1V. The battery icon has 7 possible states, ranging from empty to full and 5 intermediate states in between. The meaning of the displayed icon will be, in this example:

- Full: 12.81V to 13.8V (and indeed, above 13.8V also)
- 5 bars: 11.81V to 12.8V
- 4 bars: 10.81V to 11.8V
- 3 bars: 9.81V to 10.8V
- 2 bars: 8.81V to 9.8V
- 1 bar: 7.81V to 8.8V
- Empty: 7.8V and below

```
7.5 Cursor style
Underline
```

Two different cursor styles are possible. You can select your favourite, here. The two possible values are:

**Underline:** a simple solid line under the character being edited

**Blink:** the display alternates between the edited character, and a solid white block

Note that this setting only affects the cursor that is shown during menu system editing. In normal operating mode, the underline cursor is always used for tuning rate indication, regardless of the Cursor style setting.

```
7.6 Show S-meter
OFF
```

A rudimentary S-meter is shown in the top right of the display, if this parameter is set to ON.

## 7.7 S-meter step 100

This NUMBER parameter effectively defines the sensitivity of the S-meter. The S meter has 12 bars maximum. Each bar of the S-meter equates to the specified “S-meter step” number on the amplitude measurement scale. So, in this case the scale of the 12 bars of the S-meter will mean 0 to 1200 in amplitude measurement terms.

A lower S-meter step number makes the S-meter more sensitive; a higher number makes it LESS sensitive.

The S-meter reading is indicative only, it does not have any highly accurate meaning. In any case the audio sampled by the Analogue to Digital converter is after the audio amplifier gain stages so the amplitude depends on the receiver gain setting.

## 7.8 Factory rst. Sure? enter 17

This menu item can be used to cause a factory reset. Factory reset returns you radio to the supplied default factory configuration. Everything is erased and set back to the default parameter values.

In order to prevent accidentally triggering this drastic step, the factory reset is implemented as a virtual 2-digit numeric parameter. To cause a reset:

- Press the left (“select”) button to start editing this menu item. 00 is displayed
- Use the rotary encoder to change the value to 17
- Press the left (“select”) or right (“back”) buttons to enter the value 17, which causes the factory reset

Factory reset takes a few seconds while the entire EEPROM contents are written. After the factory reset you will see the “Select band” prompt again, the same as when you first power up the radio.

## 4.26 Alignment menu

The alignment menu contains several tools for alignment and calibration of the radio, using the built-in signal generator to inject a test signal back into the receiver’s front end.

Correct use of these alignment tools makes it possible to adjust and align the receiver without any external test equipment at all.

Please also refer to the alignment/adjustment section at the end of the assembly part of the manual, which describes how to use these tools to peak the Band Pass Filter response, and to minimise the unwanted sideband using the I-Q balance and audio phase shift adjustments.

```
8.1 Align frq
14,020,000
```

The Align frq. parameter specifies the frequency which the alignment tools operate. You should ensure that the frequency specified is in the centre of the CW section of the band of operation of your radio.

```
8.2 I-Q bal frq
700
```

The audio frequency at which the I-Q balance adjustment is performed. By default this is set to 700Hz, the centre of the audio filter and what is usually used for the CW offset frequency.

```
8.3 Phase Lo frq
600
```

The audio frequency at which the LOW audio frequency 90-degree phase shift is performed.

```
8.4 Phase Hi frq
800
```

The audio frequency at which the HIGH audio frequency 90-degree phase shift is performed.

```
8.5 Ref frq
27,004,000
```

The reference frequency for the Si5351A synthesiser chip. If you set this to the actual oscillation frequency of the 27MHz crystal, then the output frequency of the radio will be accurate.

Usually the 27MHz crystals oscillate between 3 to 5kHz too high. This is the reason for the default setting of 27.004MHz (4kHz high).

You can measure the 27MHz reference value yourself if you have a reliable general coverage receiver whose frequency is known to be accurate. There are other methods too! You could set the signal generator to a certain frequency such as 10MHz. Then beat it against a 10MHz reference, for example. Measurement of the audio offset would enable a calculation of what the correct 27MHz reference value ought to be.



If a GPS unit is available, then this makes everything very simple – then you can use the GPS calibration tools to calibrate this value (see below).



8.6 System frq  
20,000,000

The system oscillator frequency. In this radio, the microcontroller clock is a 20MHz crystal. If you are able to measure the actual 20MHz frequency (without disturbing it), you can enter the frequency here. You could, for example, listen for the 20MHz radiation on a general coverage receiver whose frequency indication you trust.


The 20MHz system clock is used for timing purposes only. It is not very critical, unless you intend to operate the WSPR beacon function without a GPS.

If a GPS unit is available, then you can use the GPS calibration tools to calibrate this value (see below).



8.7 Peak BPF  
Press Select!

Pressing the left (select) button activates the signal generator on the configured frequency and displays a bar on the screen showing the measured audio amplitude at 700Hz. The Band Pass Filter trimmer capacitor should be adjusted for maximum measured amplitude. This process is described in the earlier section “Adjustment and alignment” at the end of the assembly part of the manual.



8.8 I-Q bal  
Press Select!

Pressing the left (select) button activates the signal generator on the configured frequency with an offset to put the received signal in the unwanted sideband. It displays a bar on the screen showing the measured audio amplitude at 700Hz. The I-Q balance trimmer potentiometer should be adjusted for minimum measured amplitude. This process is described in the earlier section “Adjustment and alignment” at the end of the assembly part of the manual.

## 8.9 Phase Lo Press Select!

Pressing the left (select) button activates the signal generator on the configured frequency with an offset to put the received signal in the unwanted sideband at the audio frequency configured (for example, 600Hz). It displays a bar on the screen showing the measured audio amplitude. The Low frequency phase adjustment trimmer potentiometer should be adjusted for minimum measured amplitude. This process is described in the earlier section “Adjustment and alignment” at the end of the assembly part of the manual.

## 8.10 Phase Hi Press Select!

Pressing the left (select) button activates the signal generator on the configured frequency with an offset to put the received signal in the unwanted sideband at the audio frequency configured (for example, 800Hz). It displays a bar on the screen showing the measured audio amplitude. The High frequency phase adjustment trimmer potentiometer should be adjusted for minimum measured amplitude. This process is described in the earlier section “Adjustment and alignment” at the end of the assembly part of the manual.

## 8.11 Cal ref osc Press Select!

If you have connected a GPS receiver module such as the QRP Labs QLG1 GPS receiver <http://qrp-labs.com/qlg1> with a one pulse per second (1pps) output signal, then when you press the left (select) button the microcontroller uses the 1pps as a frequency counter gate. The 27MHz reference value is divided by 4 and routed to the Timer1 input of the microcontroller, where it is counted for 4 seconds to obtain a frequency count. This value is stored in the EEPROM in the configuration parameter editable in menu item “8.5 Ref frq”.

The firmware calculates compensation adjustments to correct for the frequency error and ensure an output frequency precisely on target (typically with sub Hz accuracy). Naturally changes in ambient temperature will also cause the crystal oscillator frequency to change somewhat.

Using the GPS to calibrate the reference oscillator, system oscillator, or GPS info display (see later section), also automatically parses the serial data stream and sets the real-time clock and the Maidenhead Locator square (computed from latitude and longitude); these are used by the Beacon mode when using the radio as a WSPR beacon.

```
8.12 Cal sys osc
Press Select!
```

If you have connected a GPS receiver module such as the QRP Labs QLG1 GPS receiver <http://qrp-labs.com/qlg1> with a one pulse per second (1pps) output signal, then when you press the left (select) button the microcontroller uses the 1pps as a frequency counter gate. It counts the 20MHz system clock internally for 4 seconds to obtain a frequency count. This value is stored in the EEPROM in the configuration parameter editable in menu item “8.6 System frq”.

```
8.13 GPS data
A 3D f10 t12 s30
```

When a GPS receiver (1pps and serial data) is connected and the alignment/calibration functions are enabled by pressing the left (select) button, data from the GPS is shown on the display. The five displayed info fields are to be interpreted as follows:

- A valid GPS Data (V would mean invalid data)
- 3D 3D fix (could be None, 2D or 3D)
- f10 GPS solution fix uses 10 satellites
- t12 GPS receiver is tracking 12 satellites
- s30 average signal strength of the 12 tracked satellites is 30.

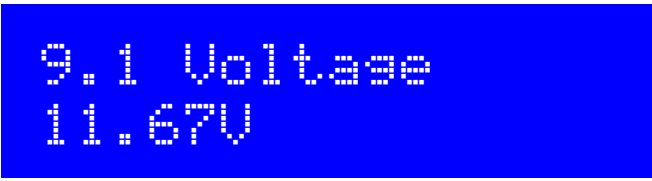
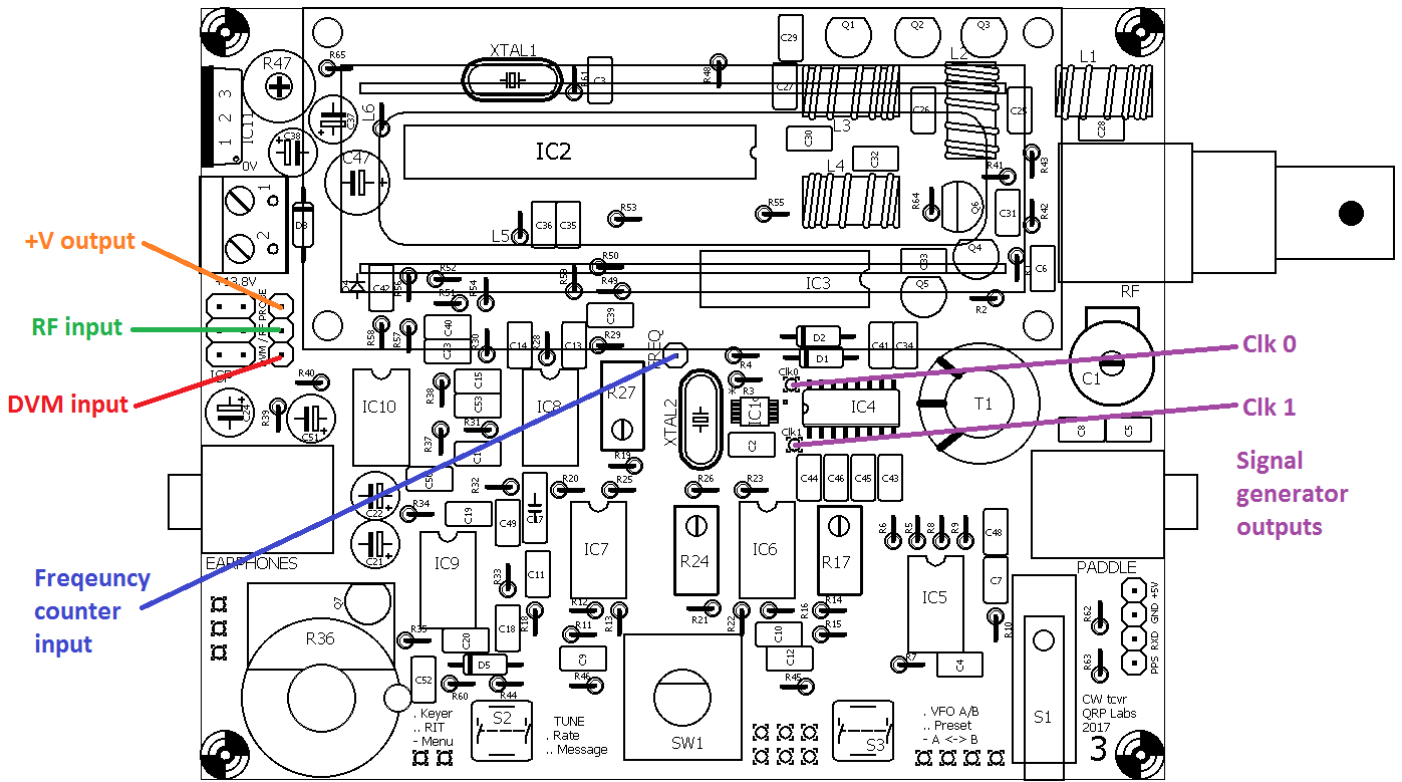
The GPS data menu item is for display of GPS information only. It can be useful to verify that the GPS is working properly and determine the best location for the GPS antenna, based on the number of tracked satellites and signal strength.

## 4.27 Test equipment

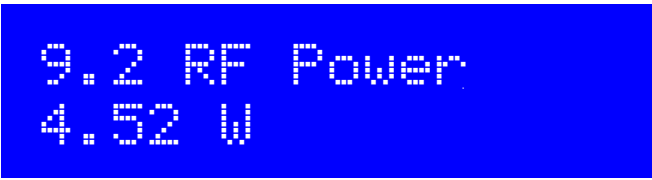
The test equipment menu provides several items of test equipment, which can be used to diagnose faults in your radio, and even for other testing purposes too!

The diagram below shows the connection points for the test equipment. **If you are attempting to measure external equipment or circuits, then you will also need to make a ground connection between the CW transceiver and the external circuit.**

These items of test equipment are described below. All except for the signal generator, are display-only items, with no corresponding stored configuration parameter.



This is the Digital Voltmeter (DVM) function. The measurable voltage range is 0-20V DC. When the on-screen battery voltage display is used, you must connect the DVM input pin to the +V output pin (refer to previous diagram showing these connections). In this example, a 12V power supply is being used to power the radio. The DVM input pin is jumpered to the +V output pin shown. The measured voltage of 11.67V is 12V minus the voltage drop over the reverse polarity protection diode D3.



This is the RF Power meter function. The measurable power range is 0-5W. The RF power measurement circuit uses a simple diode detector. There are non-linearities in the diode function, and differences from diode to diode; therefore, the measured power output is not highly accurate. However, it is certainly a very good indication and debugging tool.

Note that the RF Power meter and the DVM use the SAME Analogue to Digital (ADC) microcontroller input. You must not try to use the RF Power meter and the DVM at the same time! Ensure only one or the other is connected.

```
9.3 Audio Ch.1  
01,652
```

This item just displays the raw amplitude number calculated by the Goertzel algorithm for the audio channel 1, which is connected to the output of the audio amplifier. The value shown here will depend on the input signal level but also on the gain control. You can easily verify that as you turn up the gain control knob, the displayed value increases.

```
9.4 Audio Ch.2  
00,000
```

This item just displays the raw amplitude number calculated by the Goertzel algorithm for the audio channel 2, which is connected to the output of the phase nulling circuit. The value shown here is independent of the gain control. The value is much less than that measured on Audio Ch.1. This is because one ADC least significant bit equates to a voltage of about 5mV. The signal amplitude at that point in the receiver signal path is too low to produce much output from the ADC unless the received signal is very strong.

```
9.5 Frequency  
4.21523 MHz
```

This is the frequency counter. The resolution is 10Hz, which results in an update rate of around 8 times per second approximately.

The frequency counter input is connected directly to the Timer1 input of the microcontroller. There is no pre-amplifier or level adjustment. The ATmega328P processor operates from a 5V supply. It expects the frequency counter input signals to be of an appropriate amplitude.

According to the ATmega328P datasheet, a “low” has a maximum input voltage of 1.5V and a “high” has a minimum input voltage of 3.5V. Therefore, the minimum amplitude signal to drive the frequency counter successfully would be 2V peak-peak centred on a 2.5V DC offset. Exercise great care to ensure that the voltage levels are correct, to avoid damaging the ATmega328P input pin.

Additionally, since the ATmega328P has synchronous timer inputs, the highest frequency which can be counted is limited to about 40% of the system clock (20MHz).

Therefore, this frequency counter has range of 0 to 8MHz. The upper frequency end of this range will only be achieved in the case of a nice tidy squarewave of adequate amplitude an 50% duty cycle. Lower quality signals will result in a lower upper frequency limit.





9.6 Signal gen.  
25,124,093

The signal generator function is switched off until you press the left button to select it. Then the cursor appears under the 10MHz digit. You can then adjust this number just like any other configuration parameter. Use the rotary encoder to increase or decrease the frequency. Press-and hold, then turn the rotary encoder, to change the tune rate (move the cursor left or right).

As you adjust the frequency, the output frequency of the synthesiser is tuned to match.

The output frequency range is from 3.5kHz to 200MHz. The Si5351A Synthesiser chip datasheet maximum frequency specification is 200MHz. However, in practice it has been found to still operate reliably up to almost 300MHz.

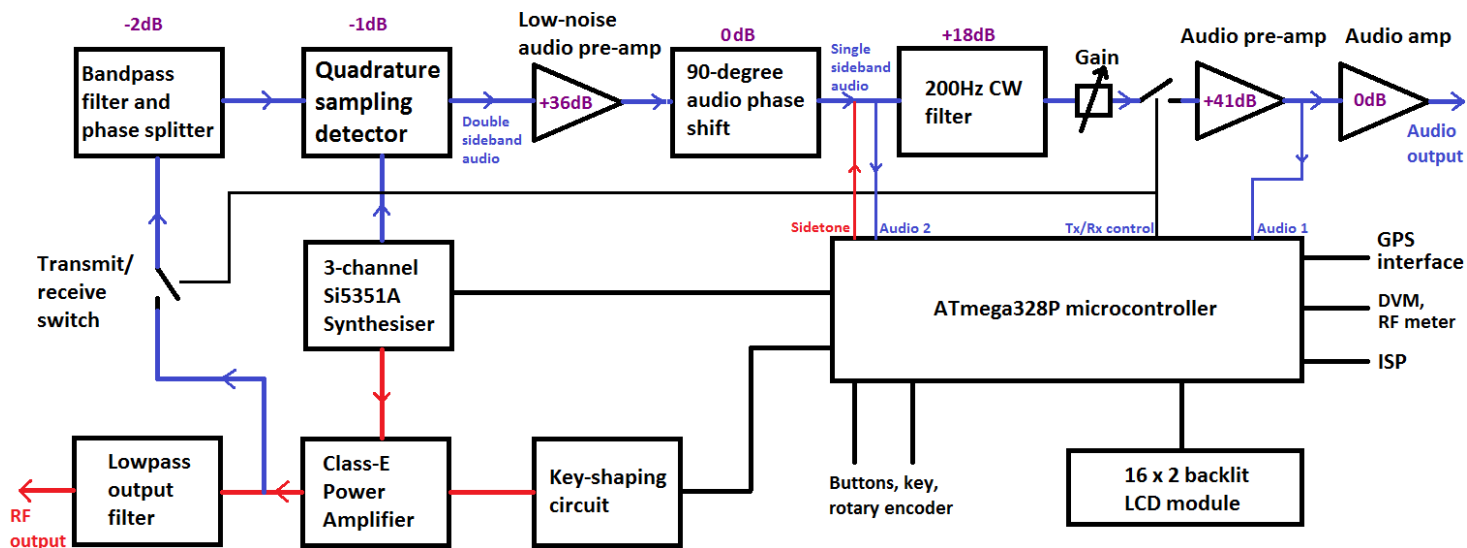
The output waveform is a squarewave with amplitude about 3.5V peak-peak. The output is at the Clk0 and Clk1 terminals (see diagram, above).

Note that the output is directly connected to the Si5351A Synthesiser chip's output pin. Take very great care not to short the output to ground or in any other way abuse this output! If you damage the Si5351A chip it is very difficult to replace

Note that where possible, the Si5351A's Clk0 and Clk1 outputs are operated in quadrature with a 90-degree phase offset. The relationship does not hold at frequencies below 3.2MHz and may not hold into VHF (To Be Determined).

## 5. Circuit design of the QCX

### 5.1 Block diagram and summary



This CW transceiver is a high performance, yet simple and low cost, analogue design. The transmitter uses a high efficiency Class-E amplifier which results in low current draw on transmit, and inexpensive transistors with no heatsinks.

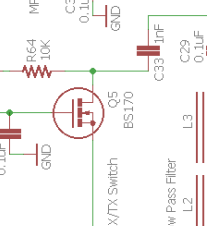
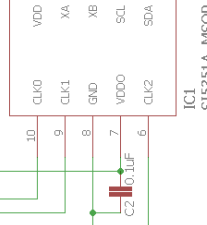
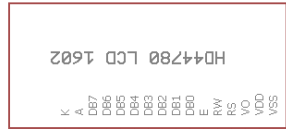
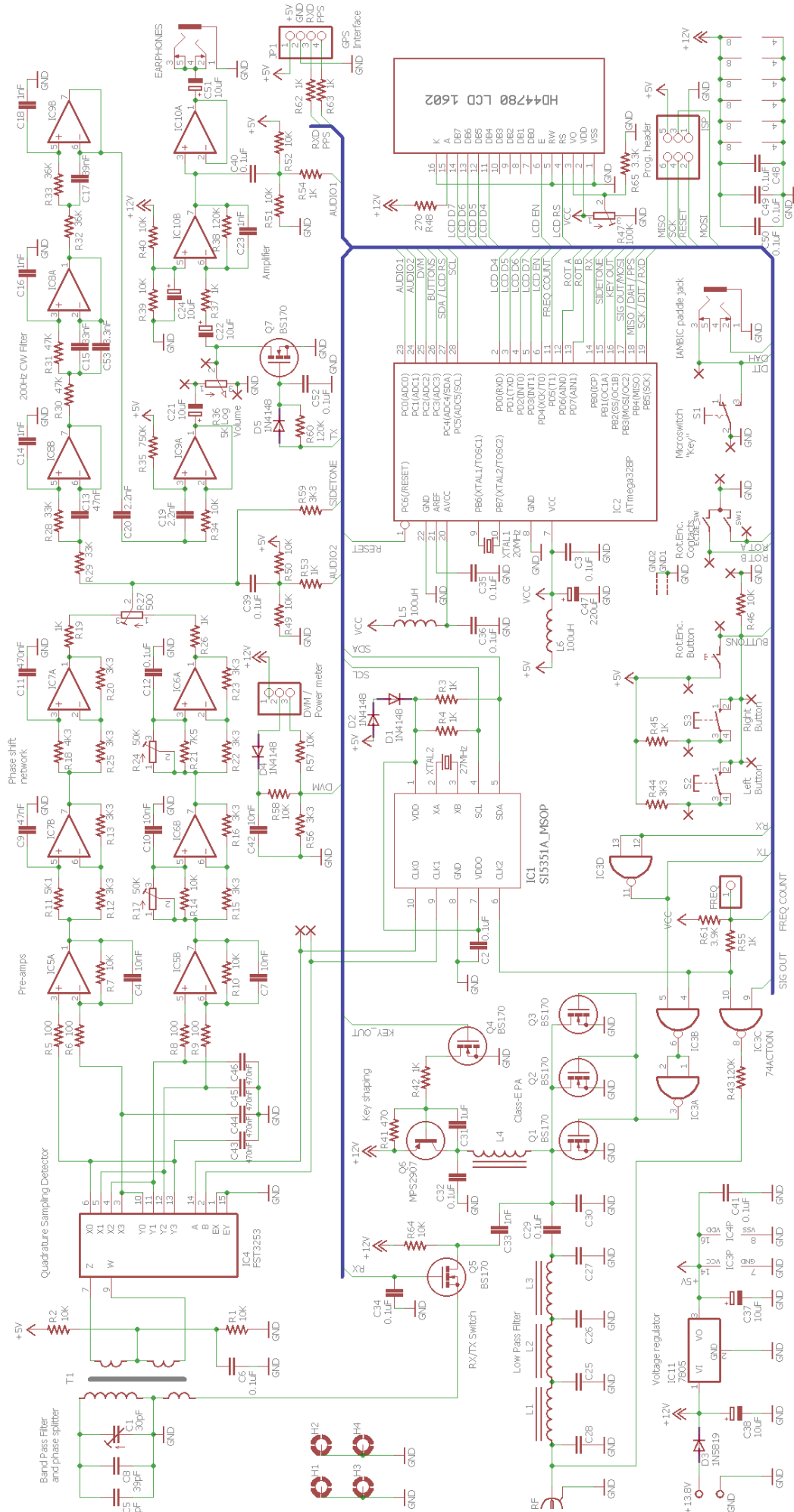
The receiver is a direct conversion type utilising the famous high performance Quadrature Sampling Detector, also known sometimes as the “Taylor Detector” or even “I-Q Mixer”. This receiver front end architecture has been used in the early Flex Software Defined Radios, Softrock series, Norcal NC2030 and many other SDR’s and other high performance front ends. The detector has very high third order intercept (IP3) and dynamic range, as well as low loss.

The resulting I & Q outputs are at audio baseband and go through a 90-degree phase shift network which cancels the unwanted sideband. A 200Hz bandwidth CW filter is followed by more amplification and drives common earphones.

The oscillators in the transceiver are provided by the modern Si5351A digital phase locked loop IC controlled by the microcontroller.

Permeating the entire design is microprocessor control by the ATmega328P microcontroller. This allows implementation of a large number of functions normally only found in radios costing 10-100x the price!

A really nice feature of the design is the built-in alignment and test equipment, which make it possible to build, align and even debug the assembly of the radio, all with NO additional test equipment.



## 5.2 Circuit diagram

The complete circuit diagram (schematic) is shown on the previous page.

## 5.3 Synthesised oscillator

I always start with building the VFO of a radio. It was the hardest thing to get right. How to get that analogue LC-tuned VFO accurate, free of drift, free of chirp, tuning over the required range, and with mechanical gearing to be able to make fine frequency adjustments? A real challenge. Not any more! Now we have Direct Digital Synthesis (DDS) ICs and Digital Phase Locked Loop (PLL) ICs, inexpensive and easy to use, that solve all the problems.

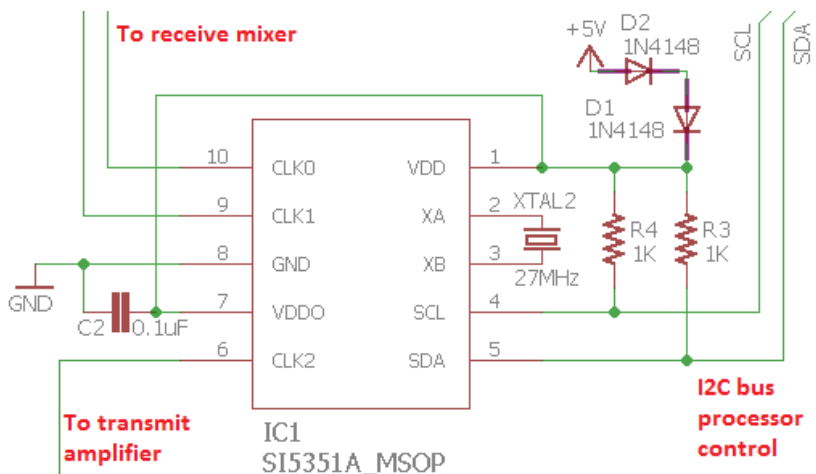
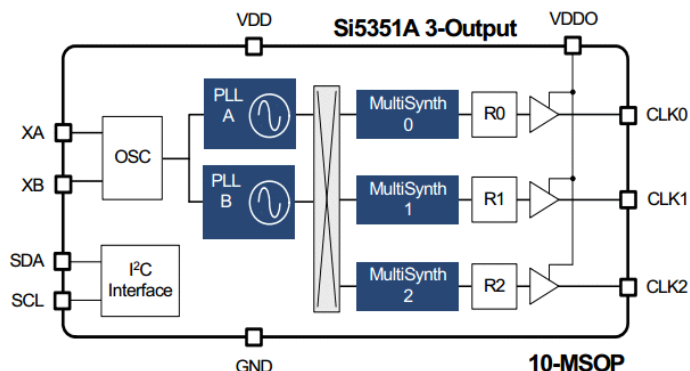
The Si5351A Synthesiser chip used in this design provides three separate frequency outputs, with a frequency range spanning 3.5kHz to 200MHz. The frequency stability is governed by the 27MHz crystal reference. Pretty stable, in other words.

The block diagram (right) is taken from the SiLabs Si5351A datasheet. Briefly, the 27MHz reference oscillator is multiplied up to an internal Voltage Controlled Oscillator in the range 600-900MHz (the PLL), then divided down to produce the final output frequency. The multiplication up and the division down are both fractional and so the frequency resolution is extremely finely controlled. The chip has two PLLs and three output divider units.

For best jitter performance, the Si5351A datasheet recommends the use of even integer dividers (no fractional component) in the MultiSynth dividers and in this CW transceiver design, this recommendation is followed.

The synthesiser section of the circuit diagram is shown here (right). The Si5351A datasheet dictates the use of a 25 or 27MHz crystal. QRP Labs has always used the 27MHz crystal in our designs because it allowed us to obtain precise 1.46Hz tone spacing for WSPR transmissions all the way up to the 2m amateur band (145MHz). Those calculations don't work out with the 25MHz crystal. This requirement doesn't apply to this CW transceiver design but economics of scale means there are advantages to sticking with the same component values, all other things being equal!

The Si5351A has a large number of internal 8-bit registers to control the synthesiser behaviour, and these are programmed by the microcontroller using the I2C serial protocol. 1K resistors R3 and R4 are pull-ups required for the operation of the bus at 400kHz.



The Si5351A chip requires a 3.0 to 3.6V supply (nominally 3.3V) but the rest of this transceiver's digital circuits operate with a 5V supply. For the reduction of complexity and costs, two 1N4148 diodes in series are used here to drop the 5V to a suitable voltage for the Si5351A. It works well.

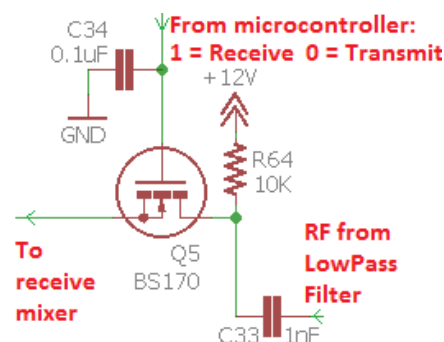
There are three outputs of the Si5351A synthesiser and these are all used to good advantage. The Clk2 output is used to feed the transmit power amplifier, and the Clk0/1 outputs are used to drive the Quadrature Sampling Detector (QSD) during receive. These outputs can be switched on and off under the command of the microcontroller. This provides an opportunity for some simplification because the Clk0/1 outputs can be simply switched off entirely during transmit. This relieves pressure on the transmit/receive switch. There just cannot be any reception during transmit because there is no oscillator input to the receive mixer. Conversely, the Clk2 output is switched off during receive.

A feature of the Quadrature Sampling Detector is that either the RF input, or the LO input, must provide two paths in 90-degree quadrature. This is normally applied at the Local Oscillator where it can be easily controlled for best performance. So, two oscillator signals are required, with the same frequencies but a precise 90-degree phase offset. Generating this quadrature Local Oscillator signal is always difficult. Analogue phase shift circuits have limited accuracy. Often a divide-by-4 circuit is used, to produce quadrature oscillator outputs from an oscillator input at 4x the reception frequency. This also creates challenges particularly as you try to increase the reception frequency to cover higher bands. For example, on 10m e.g. 30MHz, a local oscillator at 120MHz is required and the divide-by-4 circuit must be able to operate at such a high frequency. Devices such as the 74AC74 can do so, but pushing it higher into the 6m band cannot be done with the 74AC74.

The Si5351A has a phase offset feature, which is not really very clearly described in the SiLabs documentation. However, QRP Labs has perfected the technique to put two of the Si5351A outputs into precise 90-degree quadrature, which is maintained without tuning glitches as the frequency is altered. It's a nice development because it eliminates one more circuit block (the 74AC74 divide-by-4 circuit), again reducing complexity and cost. To the best of my knowledge this the first time the Si5351A has been implemented in a product directly driving a QSD with two outputs in quadrature (no divide-by-4 circuit).

## 5.4 Transmit/Receive switch

Since the receiver is entirely disabled during transmit, because of the absence of any local oscillator signals to the Quadrature Sampling Detector, the demands on the transmit/receive switch are considerably reduced. Now the circuit does not have to provide the massive amount of attenuation necessary to prevent the transmitter from overloading the receive circuits. All it has to do is provide a reasonable amount of attenuation, enough to stop the 5W signal (45V peak-peak) from damaging the receiver input mixer.



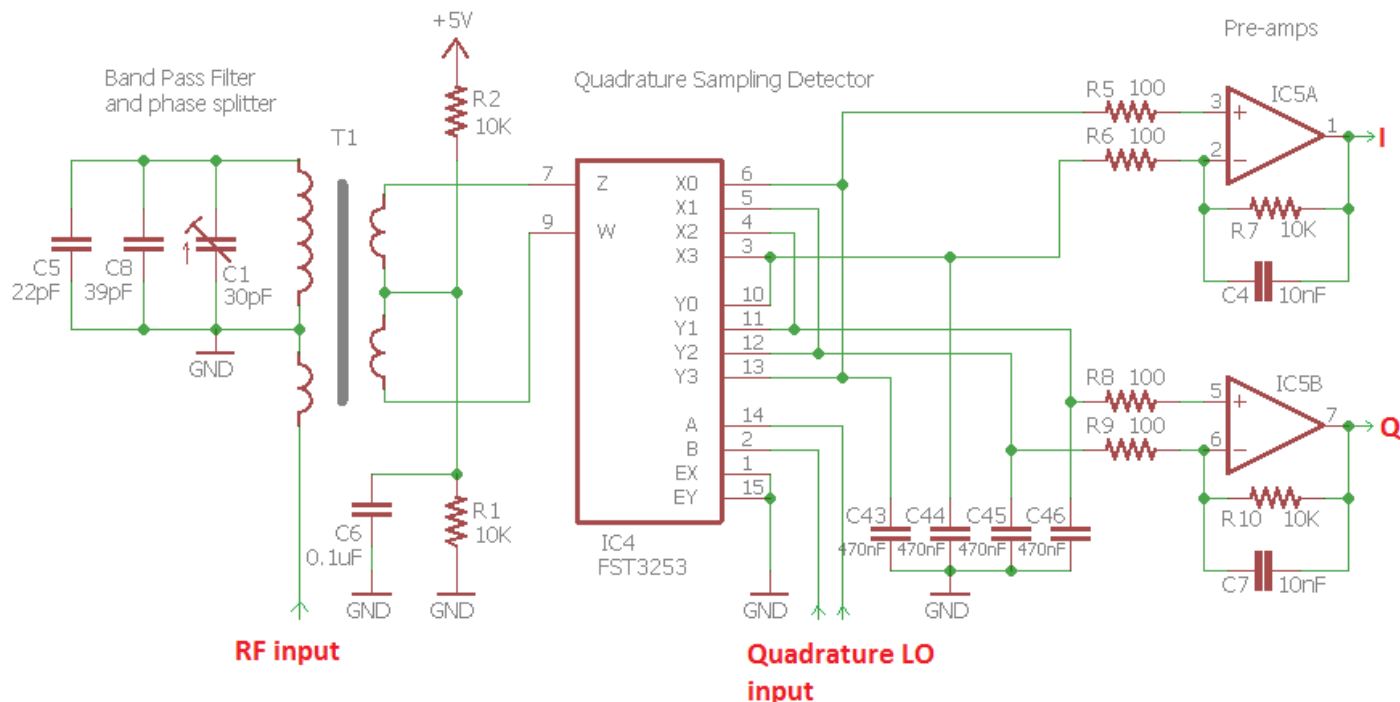
The transmit/receive switch is implemented by a single BS170 MOSFET. The source is at DC ground (via the primary of input transformer T1). The control signal from the microcontroller switches the MOSFET on or off. Interestingly, capacitor C34 close to the MOSFET gate is found to be necessary to prevent inductive pickup of the 5W RF from partially switching on the MOSFET.



The switch wouldn't provide enough attenuation to mute an operating receiver; but during receive, our receiver isn't operating; all the switch has to do is protect the Quadrature Sampling Detector from seeing 45V peak-peak which would destroy it.

## 5.5 Band Pass, Phase Splitter, QSD and pre-amps

Since the band-pass filter, Phase splitter, Quadrature Sampling Detector and pre-amp circuits are so tied up together, I am going to consider them all together in this section.



This circuit implements an input band-pass filter and double-balanced Quadrature Sampling Detector with low-noise pre-amps. Yet it does this with a low parts count, and resulting low complexity and cost. The FST3253 is a dual 1:4 multiplexer which is often seen in QSD circuits. It has fast switching times and very low on resistance of only a few ohms. The input signal is switched by the quadrature LO to each of the four integrating capacitors C43-C46 in turn, for 90-degrees of the RF cycle each. The result is that the audio difference (beat) between the RF input and LO input appears across each of the four integrating capacitors, with four phases at 0, 90, 180 and 270 degrees.

The operational amplifier IC5a takes the difference of the 0 and 180-degree outputs and amplifies it, resulting in the I output of the QSD. Similarly, IC5b differences the 90 and 270-degree outputs to produce the Q output.

The combination of the relatively large 470nF capacitors and the low source resistance results in a fast roll-off of the audio response. This is effectively a very narrow band pass filter since any incoming RF more than a few kHz away from the LO frequency is greatly attenuated. The QSD is therefore inherently a very high performance mixer design with high third order intercept and dynamic range, and low loss (0.9dB).

The FST3253 dual switch is often connected with the two switches simply paralleled together (which does half the switch ON resistance). But I prefer the double-balanced mixer configuration which provides higher performance. The double-balanced configuration requires two RF inputs 180-degrees out of phase (opposite to each other).

Despite the high IP3 and dynamic range, it is still prudent to provide some input band pass filtering to protect the mixer from strong out of band signals. In this CW transceiver design, the T1 transformer provides a simple solution to all of these problems with a very low parts count.

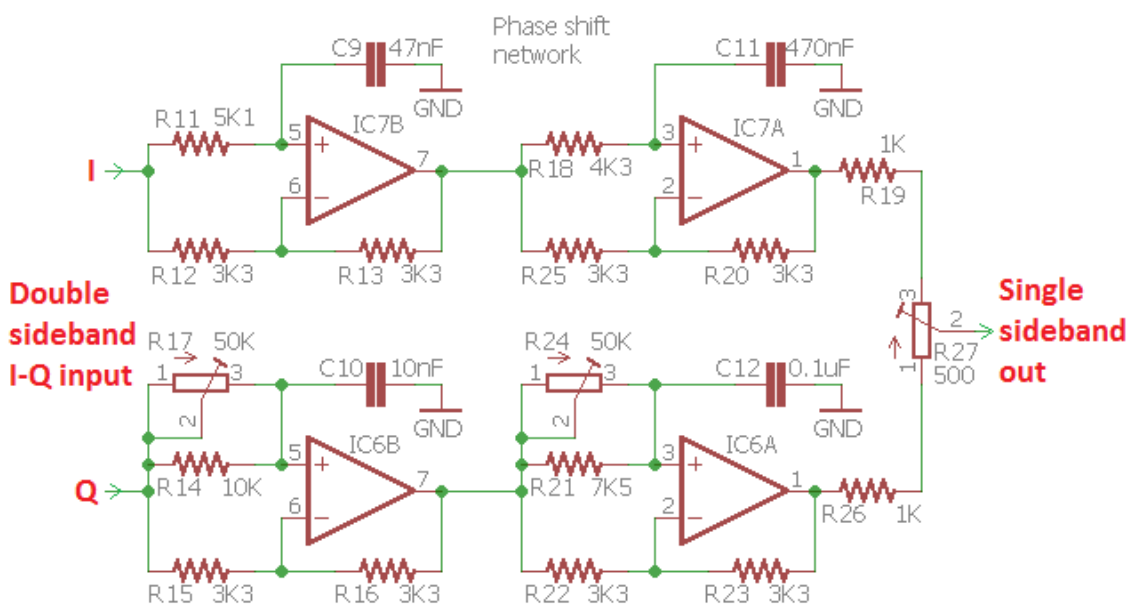
The primary couples the incoming RF into the two secondary windings which feed the double-balanced detector. One end of the primary is grounded which neatly keeps the DC potential of the input at ground, so the transmit/receive switch is easily implemented by a single MOSFET (see previous section). The two secondaries are connected as a centre-tapped single winding, which means that the outputs have 180-degree phase difference as required.

The secondary “centre-tap” is connected to a DC bias formed by R1, R2 and C6 at mid-rail i.e. 2.5V. This simple bias does not source or sink any significant current due to the balanced nature of the system, therefore no buffering is required. The DC bias feeds through the pre-amps, and into later stages – including the 90-degree phase shift network and the first three op-amps of the CW filter. It is a great benefit not to have to AC couple each stage with coupling capacitors, and then bias each stage individually. In this circuit, the same DC bias flows through all the way from this centre-tapped input transformer. This reduces component count and - you guessed it – complexity and cost. Another benefit may be that since much of the receiver signal path is DC coupled, it might be easier to reduce the inevitable “thumps” on switching between receive and transmit.

Finally, the band pass filter is implemented by a fourth winding on the same transformer T1, with some fixed capacitors and a trimmer capacitor forming the resonant circuit. It is only a single resonant circuit band pass filter so has limited stop-band attenuation, but it does have the benefit of low parts count, and simplicity of adjustment due to the single adjustment control.

## 5.6 90-degree audio phase shift

By this stage the I and Q outputs are each double-sideband, and we need to process them to demodulate single sideband.



The circuit used here is an active two-path all-pass phase shift network based on four operational amplifiers. The circuit is based on the same phase shift block as the Norcal NC2030

<http://www.norcalqrp.org/nc2030.htm>

In the real world, nothing is perfect – there are component tolerances to think about. The unwanted sideband suppression is maximised when the amplitude of the two paths is equal, and the 90-degree phase shift is accurate.

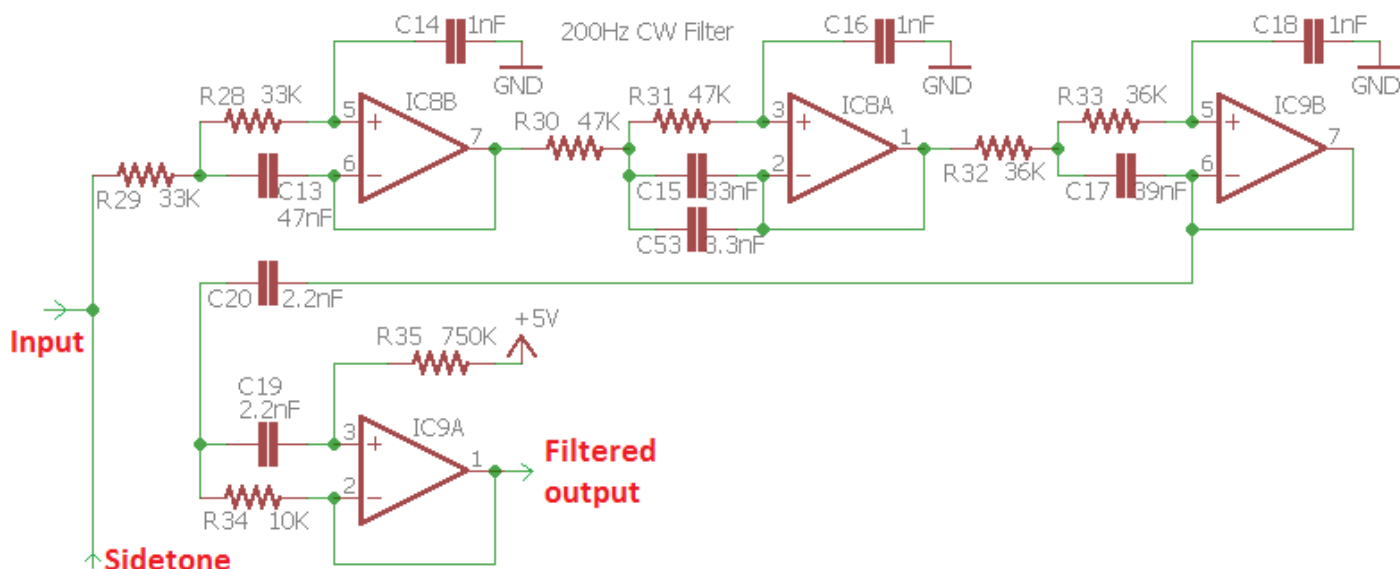
To improve the accuracy of the 90-degree phase shift, R17 and R24 allow adjustment of the phase shift at higher and lower audio frequencies respectively.

R27 allows adjustment of the balance between the I and Q channels, to equalise the amplitude from each path.

This CW transceiver kit includes built in alignment and test equipment, with a signal generator that can inject a test signal into the receiver input. It makes it easy to perform these adjustments, as described previously.

## 5.7 CW filter

The CW filter used in this receiver has a 200Hz bandwidth. The circuit is based on the HI-PER-MITE CW filter kit design by David Cripe NM0S, available from the Four State QRP group: <http://www.4sqr.com/HiPerMite.php> (thanks David for permission to use it here). This is a high performance circuit specifically designed to avoid objectionable ringing.



There are three stages of low-pass filtering and one stage of high-pass filtering. The first three stages retain the 2.5V “midrail” bias all the way through from the input transformer T1. The final stage IC9A is biased using the 5V supply (avoiding a few extra components to create a real 6V midrail at half the supply).

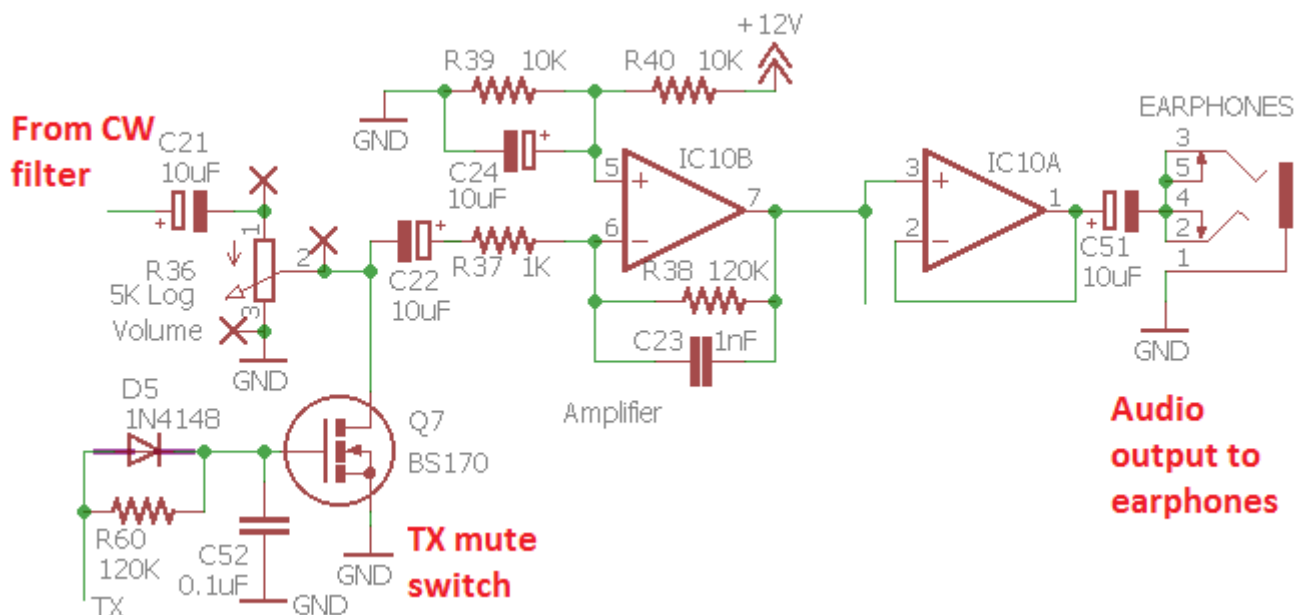
Sidetone is generated by the microcontroller and is a squarewave. To make it sound nice and clean, the sidetone injection is done at the input to the 200Hz CW filter, which cuts off any of the squarewave harmonics leaving a clean 700Hz sidetone.

The CW filter also provides a measured 18dB of gain.

## 5.8 Audio amplifier

The final stage in the receiver signal path is the audio amplifier, to drive earphones at a comfortable listening level.

R36 is a logarithmic potentiometer used as the gain control. With the wiper fully clockwise the receiver is at full volume. As the potentiometer is turned anticlockwise it forms a potential divider which attenuates the audio signal from the CW filter output.



There is also a TX mute switch formed by Q7, another BS170 MOSFET. This was a late addition to the design: despite all attempts, I could not remove the nasty click on receive/transmit switching. The mute switch helps to attenuate it. The switch is operated by the microcontroller Receive/Transmit switch output. When the BS170 switch is on, it has a low resistance to ground which greatly attenuates the audio signal.

To reduce the audio “thump” when the transceiver is switched from transmit back into receive, the mute switch needs to remain switched on for a short while after the receiver is switched back on. A small wait while the thump subsides. This delay is achieved by the R-C network formed by R60 and C52. This would also introduce a delayed switch-on of the mute switch, which would allow the thump when switching to transmit to be heard. To prevent this, diode D5 was added, which bypasses the resistor R60 at the receive-to-transmit switchover. It ensures that at the receive-to-transmit event, the mute switch is enabled instantly; but on the transmit-to-receive switchover there is a short delay.

IC10B is a simple amplifier configured for 41dB of gain. The ½-V midrail bias is created by R39, R40 and C24. Using the 5V power line as “midrail” was found to add too much noise. Finally, IC10A is a simple unity-gain buffer. Although it is just an op-amp it is found to be perfectly adequate for driving standard earphones.

## 5.9 Transmit signal routing and PA driver

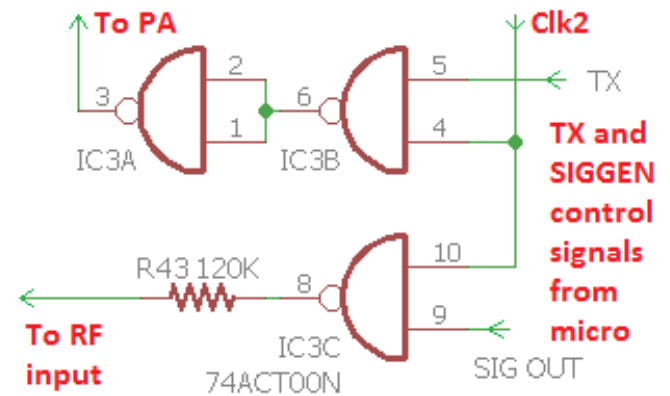
The 74ACT00 is a quad NAND logic gate. The input threshold voltage for a binary “1” is 2.4V which means that the gate is easily switched on by the ~3.3V peak-peak squarewave output from the Si5351A. The output of the 74ACT00 is 5V peak-peak, perfect for driving the BS170 MOSFETs in the Class-E PA into saturation.

The Clk2 signal from the Si5351A is used as the transmit oscillator as previously mentioned. It would have been easy to enable/disable the Clk2 output in software in the Si5351A chip configuration. However, this transceiver design also includes the built-in signal generator feature,

for aligning the Band Pass Filter and adjusting the I-Q balance and phase adjustment controls. So, some of the spare gates in the 74ACT00 are used to switch the signal generator on/off and the RF Power Amplifier (PA) signal on/off, separately.

When the SIG OUT control line from the microcontroller is high, the Clk2 signal is enabled as signal generator, and routed via a 120K resistor straight to the RF input of the transceiver.

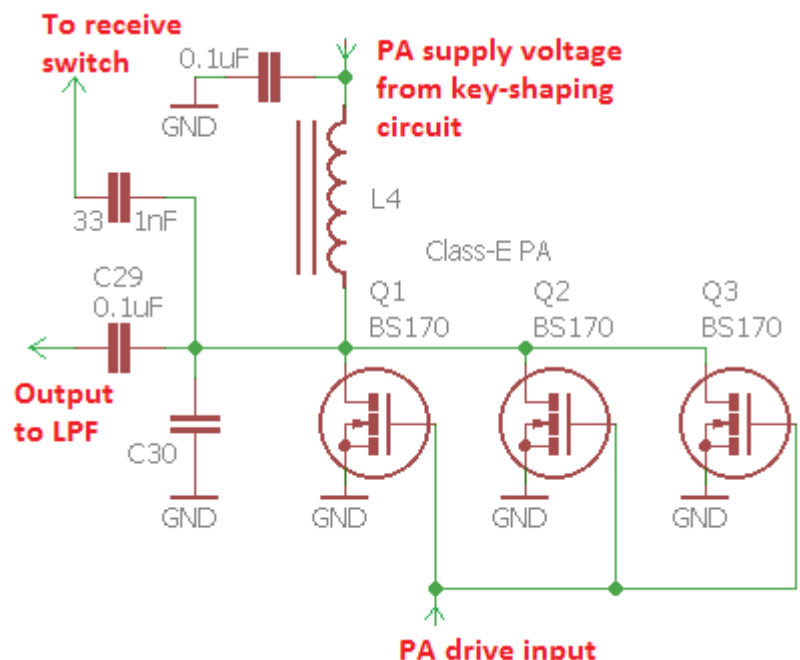
When the TX control line from the microcontroller is high, the Clk2 signal is routed to the PA. The final inverting gate IC3A is added to make sure that when the TX gate IC3B is off, the driver voltage presented to the BS170 gate is low, so the transistors are off.



## 5.10 Class-E Power Amplifier

A Class-E power amplifier is a wonderful thing. It has a very high efficiency, sometimes over 90%. This has several important benefits:

- Since not much power is dissipated, we can use smaller (and cheaper) transistors
- So little power is wasted as heat that the requirement for a heatsink is reduced or eliminated
- During transmit the radio requires less current, so the drain on a battery is less – important for people who want to operate portable.



A Class-E Power Amplifier contains a resonant circuit at the frequency of operation, so it is only suitable for single-band use. A lot has been written about Class-E, much of it is very technical and mathematical.



Some excellent background reading are two papers by Paul Harden NA5N:

<http://www.aoc.nrao.edu/~pharden/hobby/ClassDEF1.pdf> and  
<http://www.aoc.nrao.edu/~pharden/hobby/ClassDEF2.pdf>

Paul NA5N describes two defining features of Class-E:

- 1) Use of a square-wave drive to reduce switching losses: the transistors are either on, or off... no lossy region in between
- 2) Reducing the effects of the transistor capacitances. Class-E has a resonant tuned circuit. The capacitance of the transistors, normally an unpleasant lossy aspect, is now a part of the tuned circuit.

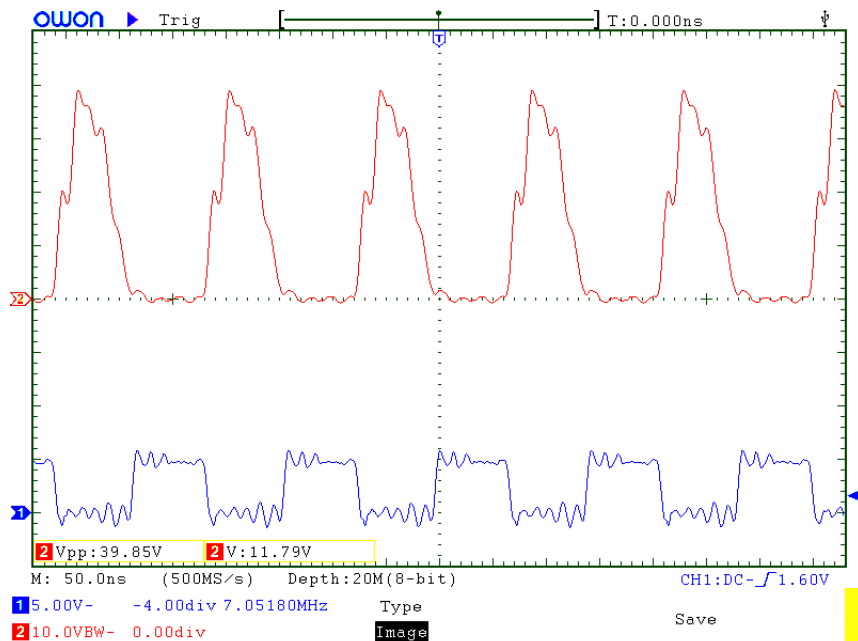
Class-E also has a reputation for being difficult to achieve. All those intense mathematics Google will help you find, don't help. In reality, once you realise the secret – it is not so difficult. Calculation of the impedance of a resonant circuit is simple, and there are many online calculators which will do the job for you. For example, <http://toroids.info/T50-2.php> which allows you to type in the operating frequency, and the desired resonant circuit impedance. Then the calculator computes the required inductance, capacitance, and the number of turns required for a certain toroid (in our case we use a T50-2).

The Class-E design process is simple. Choose the output impedance. We choose 50-ohms, because this is the input impedance of the Low Pass Filter we will use. The online calculator will tell you what inductance is needed, and how many turns to wind on the toroid. The online calculator also tells you the required capacitance to bring it to resonance at the operating frequency. Here we resort to experiment, because it is a little difficult to know what the output capacitance of the transistor is. The device capacitance varies depending on supply voltage and whether it is on or off. A simple experiment is required, adding different small capacitances to the circuit, and measuring the efficiency (measure supply voltage and supply current to calculate power input; then measure RF power output. Divide one by the other to get the efficiency). It is easy to find what additional capacitance is required to peak the efficiency. The resonance is quite broad and non-critical.

In this implementation, three BS170 transistors are used in parallel. The BS170 is inexpensive and small, but is rated for 500mA drain current and up to 830mW of dissipation. Per device. Three in parallel provides plenty of capability to achieve a 5W output on a single band.

There are always minor variations between device characteristics from one transistor to the next. If these were bipolar NPN transistors, we would not be able to parallel them in this way. If one transistor takes more of the load and starts to heat up, its resistance further decreases and this causes it to get even hotter. This process is known as “thermal runaway” and results (quickly) in destruction of the transistor. Emitter resistors are used to help balance the load. But with MOSFETs, their resistance INCREASES as the temperature goes up – so there is an inherent self-balancing when multiple devices are used in parallel, without any need for additional balancing resistors which would increase component count and waste some power.

This oscilloscope screenshot shows the classic Class-E waveform. Please ignore the ringing due to poor set-up of the 'scope probes etc. The lower (blue) trace is the 5V squarewave at the gate of the BS170 transistors. The upper (red) trace is the voltage as the BS170 drain. It peaks at approximately 40V in this example. This measurement was done with 12V supply and on 40m (7MHz).



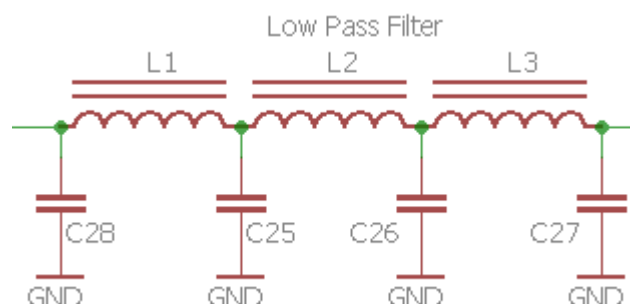
The important point to note is that when the BS170 are switched ON (the gate voltage is 5V), the drain voltage is zero. When the BS170 is OFF the gate voltage pulses nicely to a large amplitude. Class-E!

The summary: Class-E is actually quite easy to achieve in practice! Perhaps all the complicated mathematics might help to squeeze out another % or two of efficiency. But for practical purposes, it's a wonderful building block to use in a single-band CW transceiver.

## 5.11 Low Pass Filter

The transmitter output is rich in harmonics and must be followed by a good Low Pass Filter, to attenuate the harmonics and satisfy regulatory compliance.

The standard, well-proven QRP Labs Low Pass Filter kit <http://qrp-labs.com/lpokit> is used here. To save space and cost, the components are installed directly on the PCB, not on a plug-in board.



It is a 7-element filter design originally by Ed W3NQN then published for many years on the G-QRP Club web site's technical pages.

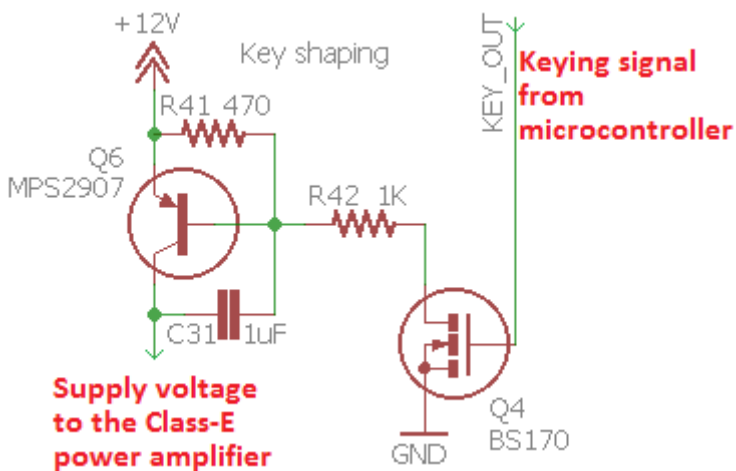
## 5.12 Key-shaping circuit

A hard-keyed CW transmitter generates clicks many hundreds of Hz away from the transmitted signal that can annoy users of adjacent frequencies. This is purely a consequence of the mathematics of the Fourier transform and is unavoidable. Any time you switch a signal instantly on or off, you WILL splatter energy onto unwanted nearby frequencies.

To combat this, any good CW transmitter should include an RF envelope shaping circuit to soften the key-down and key-up transitions. The ideal envelope shape is a raised cosine, but this is difficult to implement without significantly increasing the complexity of the circuit.

The simple key-shaping circuit used here uses only a few components but produces good results.

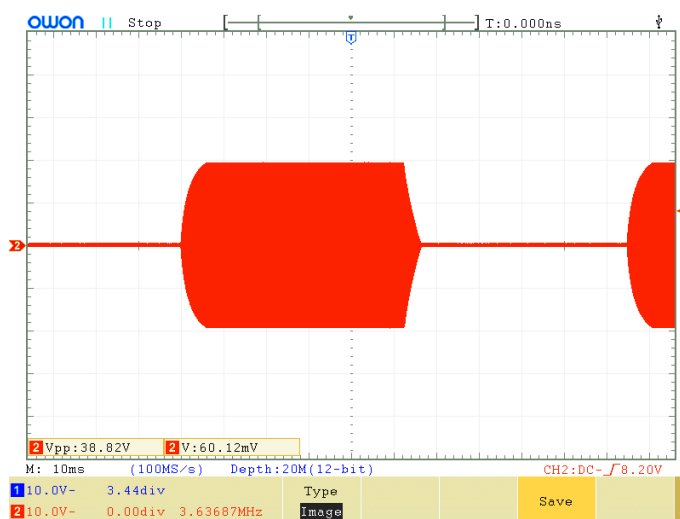
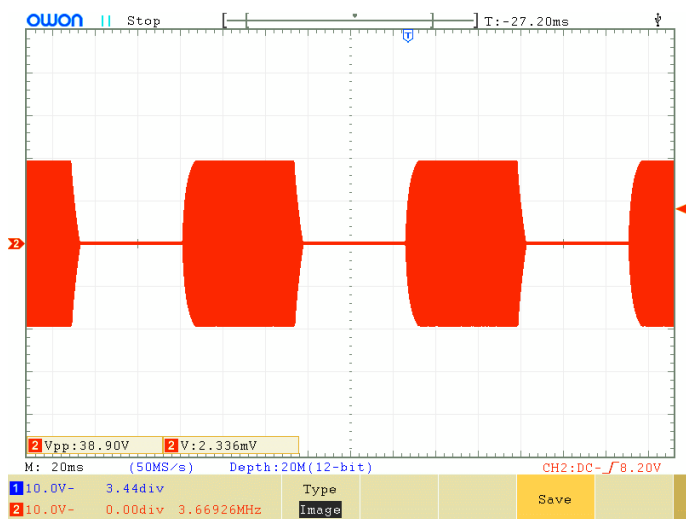
This circuit was derived by one published by Don Huff W6JL, see <https://www.qrz.com/db/W6JL/> though as he says, “this integrator-type keying circuit is found in many published homebrew designs over the past 40 years or so, so it is nothing new”. It uses a PNP transistor (Q6) and R-C integrator circuit. Don W6JL uses this key-shaping circuit to drive a 600W Power Amplifier.



On key down the Q4 switch is “closed” by a high signal coming from the microcontroller. In a really simple transmitter, Q4 could just be replaced by a straight Morse key to ground! But in our case, the microcontroller implements automated stored message sending, beacon modes, and lmbic keyer – so we need the microcontroller to be the boss of everything. The microcontroller reads the state of the straight key or paddle, and processes it to produce a key output. When in straight key mode the microcontroller transfers the signal straight through from the key input, to the key output control line – but in other modes the processor must generate the keying signal.

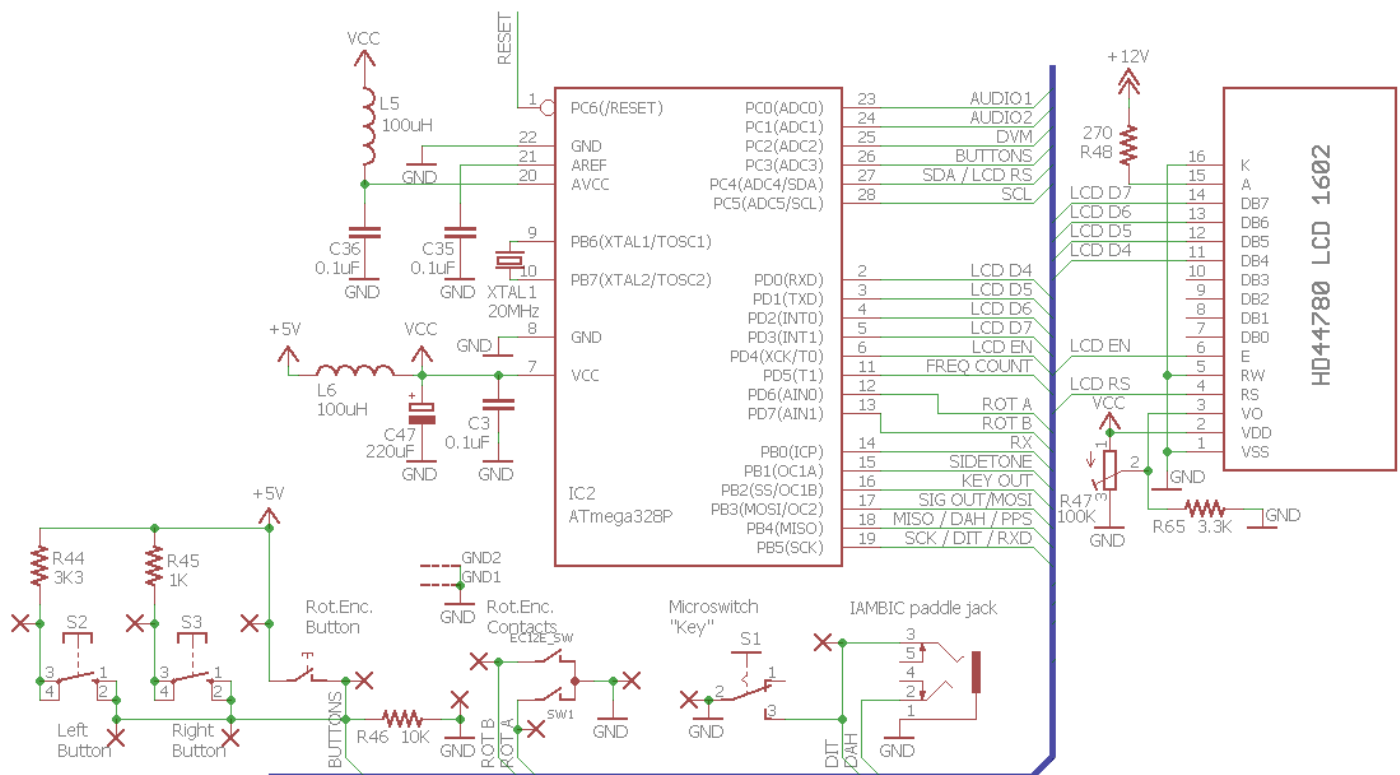
The component values set the rise and fall time. With the components shown, the rise and fall time is about 5 milliseconds.

The following oscilloscope screenshots show a 40m band (7MHz) transmission, keyed with a continuous series of CW dits at approximately 24 words per minute. The amplitude is approximately 3.8W into a 50-ohm dummy load (with 12V power supply).



## 5.13 Microcontroller

The ATmega328 microcontroller circuit controls many aspects of this transceiver. Below is this section of the transceiver circuit. Several points are worthy of discussion.



### ATmega328P processor

The ATmega328P was chosen because it has enough processing power and I/O to handle all the tasks required here. It is also common and inexpensive, and lots of QRP Labs products already used it, bringing economies of scale in both the kit preparation and the coding. The processor is operated at its maximum rated 20MHz system clock speed.

The code is all written in C and is not open source. While the same ATmega328 processor is used in the popular Arduino Uno products, there is no relation between code written for the Arduino environment and the custom code written for this CW transceiver.

### Tuning clicks

Some constructors of radio receiver projects that use the Si5351A report loud clicks every time the frequency is changed. The cause of these clicks is one or both of two underlying issues:

- Faults in the software configuring the Si5351A
- Power line or radiated noise from the microcontroller/LCD back into the sensitive receiver

The first of these is not an issue here since we have already extensive experience using the Si5351A and have perfected its configuration.

The second issue is important to address. Every time the microcontroller updates the Si5351A configuration to cause it to change frequency, it typically also writes the new frequency to the LCD. There is a burst of activity in the microcontroller, and on the digital control signals to both the Si5351A and the LCD. The LCD controller chip will also be doing some work to effect the changed display. All of these digital transitions can radiate noise into the receiver front end. Changes in power consumption cause noise on the supply lines which can also be converted into noise detected in the receiver front end.

To combat the radiation issue, the ATmega328P microcontroller is sited at the back of the board, right under the LCD module. The tracks between the LCD module and the microcontroller are therefore kept as short as possible, to minimise radiated noise.

To keep noise out of the supply, the 5V supply to the microcontroller and LCD module is filtered by 100uH inductor L6 and 220uF capacitor C47 (may be supplied as 470uF, even better!).

In combination, these measures ensure that there are no “clicks” in the audio when tuning the receiver; just a small “flutter” as I call it, which is a natural consequence of the sudden change in frequency (Fourier rules).

### **Liquid Crystal Display module**

The transceiver uses an HD44780-compatible LCD Module with 16 characters by 2 rows. The LCD is operated in the 4-bit mode in order to minimise the I/O pins used. No data is read back from the LCD which means the Read/Write pin can be grounded. In total only 6 I/O pins are used for writing to the LCD.

The usual contrast adjustment trimmer potentiometer is R47 and must be set to obtain a readable display.

The LCD backlight consumes about 30 or 35mA of current. The backlight could be connected directly to the 5V supply but this would somewhat increase the power dissipation of the 7805 regulator. In order to avoid overheating the regulator, this backlight is powered instead directly from the +12V rail via R48, a 270-ohm resistor. This resistor value was chosen so that over a supply voltage range of 7 to 20V the backlight brightness still appears reasonable. If you want a reduced brightness display, you could increase the value of R48.

### **Sidetone**

In this transceiver, the sidetone is generated by Pulse Width Modulation using the ATmega328's Timer1 peripheral. The frequency is configurable in the software via the configuration menu, and so is the volume. In order to control the volume, the microcontroller adjusts the duty cycle from 50% (maximum volume) down to under 1% (for minimum volume).

The sidetone is injected into the receiver path via a 3.3K resistor at the input to the CW filter. The sidetone generated by the microcontroller is a squarewave, rich in harmonics. As the volume is reduced, the duty cycle percentage drops and the amplitude of the 700Hz fundamental tone also drops. There are many harmonics of course, and the CW filter does a great job of removing these, so what is left in the earphones is a pleasant and pure 700Hz sinewave. This is why the sidetone is injected at the CW filter INPUT.

During transmit, when the sidetone is operational, the mute switch Q7 is also closed – but there is enough leakage through the imperfections of this switch that the sidetone gets through anyway. The 3.3K sidetone feed resistor R59 is chosen to pump enough signal through that it overcomes the attenuation of the mute switch. Without the mute switch, R59 would be a much higher value.



## Key paddle, rotary encoder switch and buttons

The microcontroller keeps an eye on all the buttons, key paddle inputs, and rotary encoder switches. When button or switch closures occur as the operator activates a control, the microprocessor responds immediately as required.

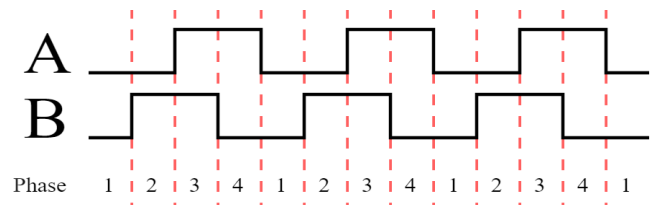
The onboard microswitch “key” is wired in parallel with one of the paddle inputs. The paddle inputs, and the rotary encoder switch, are read using dedicated microcontroller I/O signals.

All mechanical switches exhibit switch bounce, where the switch contacts generate multiple transitions for a short time when the switch is activated. It is common to see in many projects, resistor-capacitor networks to debounce switches (including the rotary switch). Simple debounce circuits involving a resistor and a capacitor inevitably involve a compromise when choosing the R-C time constant. It is easy to miscalculate and make the time constant too short (bounce noise still gets through) or too long (rapid switch closures are missed). In some cases it is impossible to find the sweet spot in between these two extremes.

In my opinion, resistor/capacitor debouncing is a poor solution to the problem, when the circuit contains a microcontroller. It is easy to debounce the switch edges in software! This allows you to control time-constants or other debounce logic much more precisely. Of course, it saves those additional resistors and capacitors too, which all helps reduce the cost and complexity of the kit! This is the reason why in this kit, you will not see any resistor or capacitor debouncing of any of the controls. Everything is done in the software.

The rotary encoder is debounced using a state machine, rather than any timing loops. The rotary encoder produces two switch-closure outputs which have a 90-degree (quadrature, again) phase shift.

The microcontroller can monitor these transitions and determine the number of “clicks” of the rotary encoder, and the direction the knob was turned in, and at the same time debounce the switch transitions.



Another unnecessary component often seen is a pullup-resistor on a switch signal to a microcontroller, so that when the switch is open (not pressed) the microcontroller sees a “high” voltage. This is unnecessary because modern microcontrollers such as the ATmega328P all contain configurable internal pull-ups!

I had a little more trouble when it came to the Left, Centre (shaft of the rotary encoder) and Right push-buttons. Despite thinking that the microcontroller had plenty of I/O signals available, when I came to implement all the features I had in mind, I realised there weren’t enough I/O signals to read the buttons!

The solution was to analogue-multiplex all three buttons onto a single input signal to the microcontroller, which is one of the Analogue to Digital Converter (ADC) channels. No microcontroller internal pull-up is used because I need to have precise control over the voltage levels. The input signal is pulled low by a 10K resistor R46. One side of all three buttons is connected to the I/O pin. The other sides of the buttons are connected to 5V via different resistors: 3.3K (R44) for the left button, 1K (R45) for the right button, and direct connection for the centre button. When one of the buttons is pressed, the resistors form a potential divider that sets the voltage to the microcontroller depending on which button is pressed. Some calculation results in the following table of voltages depending on which button is pressed:

Button pressed	Voltage
None	0.00V
Left	3.76V
Centre	5.00V
Right	4.55V

In all three cases, the voltage when a button is pressed, is higher than the 3V logic “1” threshold of the microcontroller. I am able to use a pin-change interrupt to detect that a button has been pressed, then read the ADC channel 3 and compare the measured voltage to the table, to determine which button was pressed.

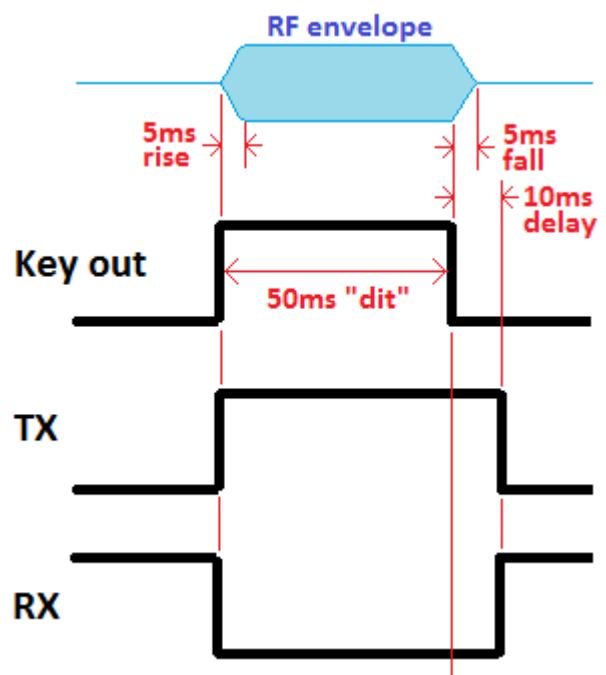
It’s a nice trick for reading multiple buttons on a single ADC input, and it would work also for a larger number of buttons! Each one just needs a different resistor value and eventually, some care would need to be taken to ensure that the voltage differences could be read reliably, not masked by ADC noise or component inaccuracies. For three buttons, none of these problems arise.

### TX/RX Switch control, and Key Out signals

As already discussed, the Key Out signal either reflects directly the state of a straight key, in Straight keyer mode, or it is a processed keyer signal when using the lambic keyer modes or Beacon function of the transceiver. The Key Out signal is generated by the microcontroller with precise timing in the Beacon and lambic keyer modes. It is routed to the RF envelope key-shaping circuit discussed previously.

The Transmit/Receive switch must remain in “transmit” state for a short time after key-up, in order for the RF envelope of the key-shaping circuit to drop gently down to zero, which takes approximately 5ms. Due to this, the microcontroller implements a 10ms delay between key-up and switching the radio back to receive mode.

The diagram (right) illustrates the relationship between these signals, for an example 24 words per minute “dit”. The Key out signal has a “high” period of 50ms exactly. The ramp-up and ramp-down of the RF envelope has 5 millisecond (approximately) rise and fall times. The “RX” control line generated by the microcontroller switches on the receiver (allows RF through to the receive mixer) when it is “high”. It is held in the “low” (transmit) state for 10ms after key up completes.

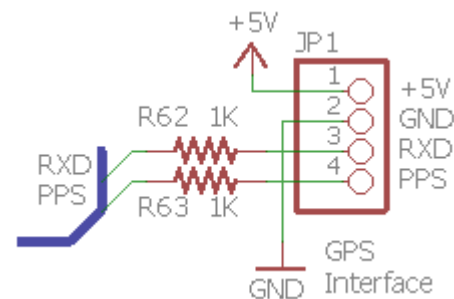


The “TX” signal is the inverse of the “RX” signal, and it switches the gate of the audio mute switch Q7 during transmit. One of the NAND gates IC3D is used as the inverter to create the “TX” signal from the microcontroller’s “RX” output.

## 5.14 Optional GPS interface

The GPS was a late addition to the design. It is added to facilitate several useful features:

- Calibration of the 27MHz reference oscillator
- Calibration of the 20MHz system clock
- For WSPR, discipline of the frequency (drift correction)
- For WSPR, setting and discipline of the real time clock
- For WSPR, setting the Maidenhead Locator square



The optional GPS interface is provided by a 4-pin header at the bottom right of the board, next to the 3.5mm socket for the keyer. The pinout of the 4-pin header exactly matches the one on the QRP Labs Ultimate3S QRSS/WSPR transmitter kit, and the QRP Labs QLG1 GPS receiver kit. This makes connecting the radio to the QLG1 GPS kit very easy, if you wish. However other GPS modules could also be used. The following requirements of the GPS module must be met:

- Positive-going (leading edge) 1 pulse per second signal with a reasonable pulse width – e.g. some older GPS module have a 1us pulse and this will not be long enough. The QLG1 GPS receiver provides a 100ms (0.1s) duration pulse, though shorter pulses would also work.
- 9,600 baud serial data sending standard NMEA 0183 GPS sentences
- “TTL” voltage levels i.e. 0V “low” and 5V “high” (or at least, below 1.5V and above 3.5V)

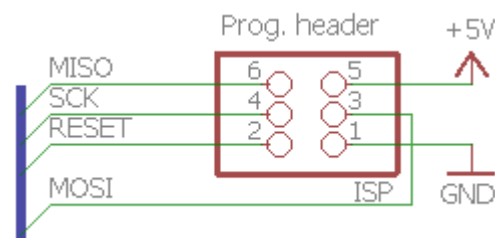
The 1pps and Serial data signals from the GPS are connected via 1K resistors, to the “dit” and “dah” inputs to the microcontroller. The GPS is therefore wired directly in parallel with the paddle. The GPS may not be used at the same time as the paddle. This would cause the transmitter to be keyed by the 1pps and serial data signals. The 1K resistors protect the GPS outputs in case the paddles or onboard microswitch “key” inadvertently ground them.

The ATmega328P has a USART serial data peripheral. However, the pin assignments were already made, so far down the design process, at the time the GPS receiver option was included. Furthermore, the I/O pin availability was already scarce. So, the two GPS signals share the same I/O as the paddle inputs. A software-emulated USART peripheral module now reads the GPS serial data, at 9600 baud.

## 5.15 In Circuit Programming (ISP) interface

A 2 x 3-pin header is installed on the PCB to facilitate In Circuit Programming (ISP) of the ATmega328P microcontroller in future, if new firmware versions become available.

Firmware updates can be done with a simple USBISP AVR programmer available from eBay for under \$2 including international shipping. The 2 x 3-pin header pinout matches the standard AVR programmer cables.



The ISP interface uses the same I/O pins as the GPS interface and the Paddle. When upgrading the firmware, be sure to disconnect the GPS (if you had one connected). And do not press any paddle key while doing the firmware update!

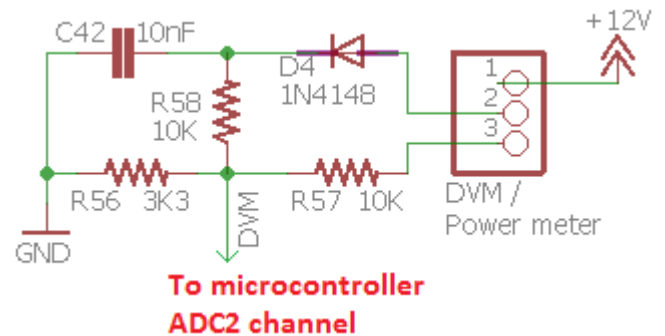
## 5.16 Test Equipment

The built-in test and alignment equipment is a really nice feature of this CW transceiver kit.

### DVM and RF Power meter

The DVM and RF Power meter is implemented using the 10-bit ADC channel 2 input to the microcontroller.

When measuring voltage, connect the voltage to be measured to pin 3 of the 3-pin DVM/RF Power connector. The voltage is dropped by the potential divider formed by R56 (3.3K) and R57 (10K). This applies a division by a factor of 4.03. Since the ADC can measure voltages up to 5V, this means the DVM function has a range of 0V to 20V maximum, and each ADC bit has a resolution of 0.02V.



When measuring RF power, connect the RF to be measured to pin 2 of the 3-pin DVM/RF Power connector. In this case D4 and C42 form a simple RF detector. The RF is rectified by D4 and smoothed by C42. R56 (3.3K) and R58 (10K) again form a potential divider that divides the rectified voltage by a factor of 4.03. The resulting range of the power meter is from 0 to 5W approximately.

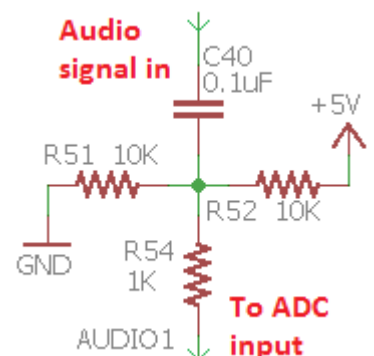
For normal operation of the radio, if you wish to see a battery voltage icon on screen, then connect pin 1 to pin 3 of the 3-pin header. This connects the voltmeter input to the 12V supply of the radio.

In the unlikely event of accidentally overloading the RF power input or the DVM input, the 10K resistors R57 and R58 limit the damage to the ATmega328P processor or maybe prevent damage altogether. Perhaps. (don't feel tempted to try it intentionally).

### Audio ADC

There are two audio connections from the receiver signal chain to the microcontroller. One is connected at the output of the I-Q balance adjustment potentiometer. In other words, the input to the CW filter. The second audio connection is connected after the final audio amplification gain stage. Both of these audio signal channels are fed to Analogue to Digital Converter (ADC) inputs of the microcontroller.

The circuit diagram (right) shows the circuit at AUDIO 1 (ADC channel 0) which is connected to the audio amplifier output. A duplicate circuit is used on the other channel. The purpose of the circuit is to remove the DC bias from the audio signal, and apply a new bias of 2.5V, to bias it to the middle of the ADC's input range. The 1K resistor in series with the ADC pin is intended to provide some kind of limited protection to the microcontroller in the event that the voltage falls outside the range 0-5V.



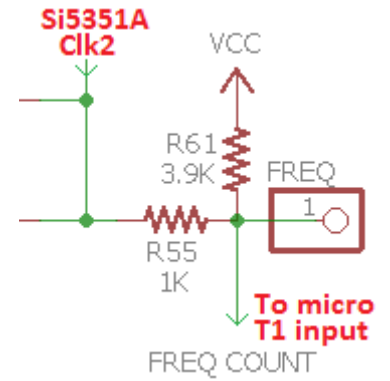
The ADCs in the ATmega328P have 10-bit resolution which translates to about 5mV. The ADC conversion result is a number in the range 0-1023, with 512 representing zero. An audio voltage of +/- 2.5V can therefore be measured. In practice, the audio signal is much less than this, which means the full ADC range is not really used. The AUDIO2 channel (connected at the CW filter input) has even less amplitude so is not used for anything except the BPF Alignment procedure, which has a very strong signal.



## Frequency Counter

The frequency counter test pin input is connected directly to the microcontroller's 16-bit Timer1 input pin.

There is a 1K series resistor (R55) to connect it also to the Si5351A's Clk2 output. This is used during the optional GPS-disciplined 27MHz reference crystal frequency measurement. In this function, the Si5351A is configured to route its raw 27MHz output, divided by 4, to its Clk2 output. This passes through the 1K resistor R55, to the microcontroller. The 1K resistor provides protection to the Si5351A in the event you accidentally have something connected to the FREQ input pin, and the Si5351A is operating its Clk2 output at the same time.



Since the 3.3V peak-peak signal from the Si5351A is rather marginal for operating the Timer1 input, a 3.9K pullup resistor increases its centre point. Now “low” is 1.02V and “high” is 3.65V, which is enough to trigger the Timer1 input reliably.

The frequency counter can operate from 0 to 8MHz theoretically, assuming a clean 50% duty-cycle squarewave signal of sufficient amplitude. The 8MHz upper bound is a limitation of the AVR processor which has a synchronous timer input, and can only count to 40% of the system clock frequency (40% of 20MHz is 8MHz).

The signal to be counted must satisfy the logic thresholds of the ATmega328P, namely a “low” or “0” is less than 1.5V, and a “high” or “1” is greater than 3.5V.

## Signal Generator

The signal generator mode was also discussed in the operating manual section. The signal output is simply taken from the Clk0 or Clk1 output of the Si5351A. Care should be exercised not to draw excessive load (e.g. short circuit) from these pins, which could damage the Si5351A. It will be very difficult to replace a damaged Si5351A.

## Self-test of Signal Generator and Frequency Counter

Note that once the Signal Generator has been activated by scrolling to the Signal Generator menu item, and pressing the left (select) button to enable it – the Signal Generator remains active on the set frequency, until you press the right (exit) button and leave the Test Equipment menu.

Press the left button (select) to enable the signal generator; an underline cursor appears under the digit that will be tuned by the rotary encoder. Adjust the signal generator to produce a frequency some way under 8MHz. Let's say, 6MHz. When you leave edit mode, by pressing the left (select) button until the cursor disappears off the right side of the 1's digit, OR by pressing the right button (exit), then the cursor will no longer be shown on the display. Turning the rotary encoder 1 click anticlockwise shows menu 9.5, the frequency measurement. Now if you connect a wire from the FREQ input to the CLK0 output, you will measure the signal generator's frequency. This is shown here in the photograph (right); clearly the 2kHz low reading indicates I have not calibrated the 27MHz reference value and/or the 20MHz system clock value!





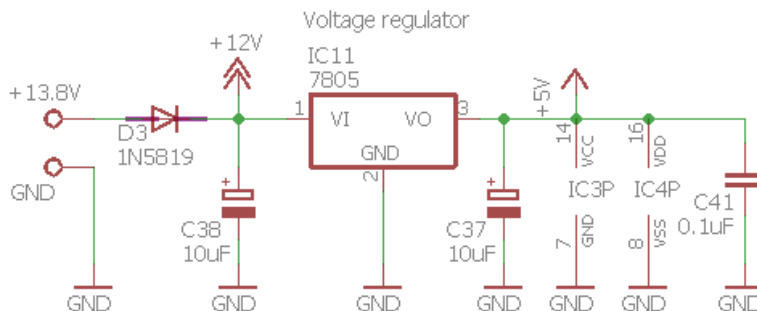
In the photograph, the white wire shown looping around the rotary encoder connects the FREQ pin (just under the “M” character of the LCD, in the photograph) to the Clk0 output pin (just under the “z” character of the LCD).

This is a convenient way to get the frequency counter to verify the correct operation of the signal generator (and hence the Si5351A synthesiser). The signal generator output is available at both the Clk0 and Clk1 pins, hence you can test them both.

## 5.17 5V voltage regulator

5V for the microcontroller, Quadrature Sampling detector chip, LCD module and IC3 (quad NAND gate) is provided by IC11, a 7805 5V 1A voltage regulator.

Note that the input is protected against reverse polarity by D3, a Schottky diode type 1N5819. This also drops the voltage by 0.3 to 0.4V, which has the effect of reducing the output power.

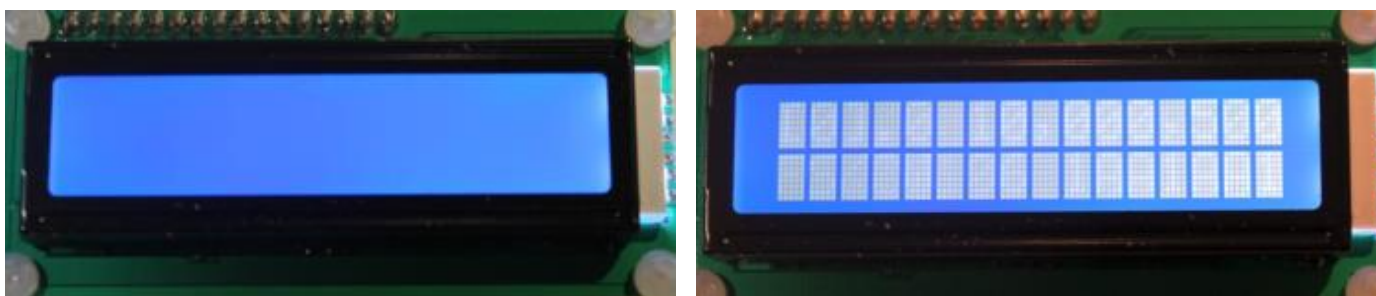


If you are brave, and confident that you will NEVER connect power to the radio with reversed polarity, you can omit this diode and fit a jumper wire over it.

## 6. Fault-finding

Refer to <http://qrp-labs.com/qcx/qcxtrouble> for more tips!

### 6.1 Blank LCD or blocked LCD



If your LCD screen looks like either of these, then it is a sure sign that you have not adjusted the contrast trimmer potentiometer R47.

### 6.2 No backlight at all

If there is no LCD backlight at all, check that you have installed R48, and also check that you have properly installed the LCD connector between the main PCB and the LCD module.

## 6.3 A row of blocks appears on the top row

If you see a row of blocks along the top of the LCD module, and the bottom row is empty, this means that the microcontroller has not communicated with the LCD module.

Check that your IC2 microcontroller is correctly installed in its 28-pin socket, with the correct orientation (dimple on the chip matches the dimple on the socket and the PCB silkscreen). Check that all of the pins of IC2 are correctly inserted in the socket, not bent.

## 6.4 DC voltage readings

The following table lists the DC voltage read at various points around the circuit. This may aid troubleshooting. The voltage measurements were made using the in-built DVM, in menu item 9.1. These measurements were made using a 12V power supply.

Where an IC pin number is mentioned, remember that pin numbers start from the top left (just to the left of the dimple at the end of the chip) and are counted anticlockwise from there (see diagram of 8-pin IC for example, right).

Where “left”, “right”, “top” and “bottom” are mentioned, they assume the PCB is orientated in the normal way.

All measurements were made probing the PCB from the top side. In some cases, poke the wire to touch the pad of a particular capacitor or resistor.

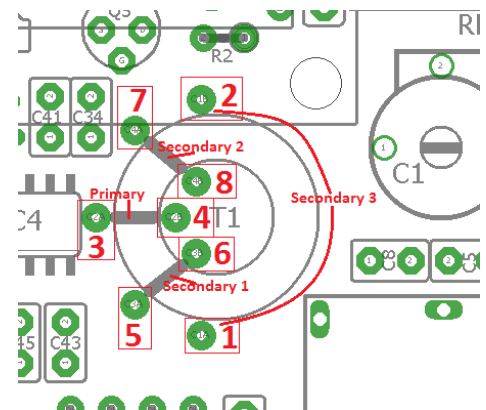
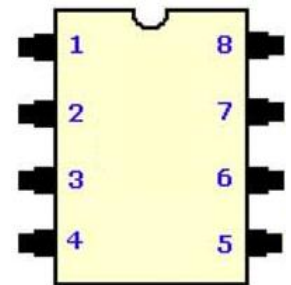
References to the pinout of transformer T1 use the nomenclature indicated in the diagram (right).

In many cases these measurements may not exactly match your own. In particular if you use a power supply other than 12V, then voltages which are derived from the 12V supply line will be different. For example, bias voltages on op-amps which are biased to half the supply rail.

Bear in mind that in some of these measurements, the act of measurement will itself change the measurement. The “input resistance” of this DVM is only 13.3K (R56 and R57 in series, assuming high input resistance of the microcontroller pin). If you were to make these DC measurements with a high input resistance “real” DVM rather than the inbuilt DVM of this radio transceiver, these measurements would change. Again: if your measurement is in the right ballpark, do not worry if it differs from these.

When making these measurements, be very careful that whatever wire you are using to probe the circuit does not cause shorts to adjacent pins or components, which could cause damage.

I suggest avoiding directly probing the Si5351A chip pins, they are just too small: the risk of shorting adjacent pins is high. You can easily probe nearby components which are connected to the Si5351A pins, if you wish – refer to the PCB tracks diagram. Similarly, I do not recommend directly probing the FST3253 pins. Again, it is easy to probe nearby components which are connected to those pins, and reduces the risk of damaging something by causing inadvertent short circuits.

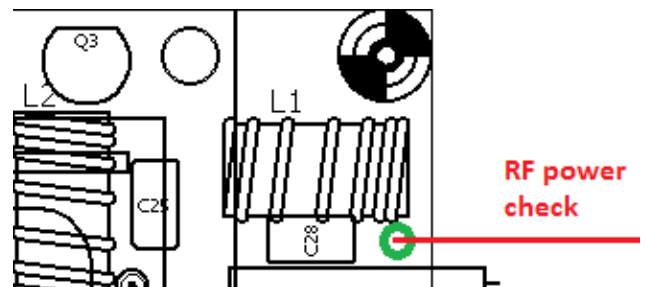


Location	Voltage	Comment
+ supply terminal	11.98	As I already mentioned: a 12V supply
Clk0 test pin	~1.70	The Clk0 pin in normal operation has a 3.3V peak-peak squarewave with 50% duty cycle. The DVM is measuring the average of that. Measuring here makes a lot of nasty noise in the audio.
Clk1 test pin	~1.70	The Clk1 pin in normal operation has a 3.3V peak-peak squarewave with 50% duty cycle. The DVM is measuring the average of that. Measuring here makes a lot of nasty noise in the audio.
Left side of C2	3.40	This is the voltage of the Si5351A supply, pins 1 & 7
Right side of D2	4.96	This is the +5V regulated supply
T1 pins 1, 2, 3 & 4	0.00	
T1 pins 5, 6, 7 & 8	2.36	
Top side of C43	2.28	C43-46 are the QSD integrating capacitors. The voltage across each one differs slightly. The following measurements show these small differences.
Top side of C44	2.44	
Top side of C45	2.42	
Top side of C46	2.30	
IC5 pin 1	2.64	IC5a output, the pre-amp I output
IC5 pin 2	2.46	
IC5 pin 3	2.26	
IC5 pin 4	0.00	
IC5 pin 5	2.28	
IC5 pin 6	2.46	
IC5 pin 7	2.44	IC5b output, the pre-amp Q output
IC5 pin 8	11.67	This is the supply voltage minus the voltage drop caused by the reverse polarity protection diode D3
IC6 pin 1	2.44	IC6a output
IC6 pin 2	2.44	
IC6 pin 3	1.63	
IC6 pin 4	0.00	
IC6 pin 5	1.55	
IC6 pin 6	2.44	
IC6 pin 7	2.44	IC6b output
IC6 pin 8	11.67	
IC7 pin 1	2.64	IC7a output
IC7 pin 2	2.64	
IC7 pin 3	1.99	
IC7 pin 4	0.00	
IC7 pin 5	1.89	
IC7 pin 6	2.64	
IC7 pin 7	2.64	IC7b output
IC7 pin 8	11.67	
IC8 pin 1	2.46	IC8a output
IC8 pin 2	2.46	
IC8 pin 3	0.65	
IC8 pin 4	0.00	
IC8 pin 5	0.67	
IC8 pin 6	2.48	
IC8 pin 7	2.48	IC8b output

IC8 pin 8	11.67	
IC9 pin 1	4.84	IC9a output
IC9 pin 2	4.84	
IC9 pin 3	0.65	
IC9 pin 4	0.00	
IC9 pin 5	0.67	
IC9 pin 6	2.44	
IC9 pin 7	2.44	IC9b output
IC9 pin 8	11.67	
IC10 pin 1	5.83	IC10a output
IC10 pin 2	5.83	
IC10 pin 3	5.83	
IC10 pin 4	0.00	
IC10 pin 5	4.21	
IC10 pin 6	3.94	
IC10 pin 7	5.83	IC10b output
IC10 pin 8	11.67	
LCD pin 1 (leftmost)	0.00	LCD VSS supply pin
LCD pin 2	4.94	LCD VDD supply pin
LCD pin 3	0.57	LCD Constrast
LCD pin 4	4.92	LCD RS pin
LCD pin 5	0.00	LCD RW pin
LCD pin 6	0.00	LCD E pin
LCD pin 7	1.08	LCD DB0 pin
LCD pin 8	1.08	LCD DB1 pin
LCD pin 9	1.06	LCD DB2 pin
LCD pin 10	1.04	LCD DB3 pin
LCD pin 11	0.00	LCD DB4 pin
LCD pin 12	4.94	LCD DB5 pin
LCD pin 13	4.92	LCD DB6 pin
LCD pin 14	0.00	LCD DB7 pin
LCD pin 15	4.41	LCD backlight anode
LCD pin 16 (rightmost)	0.00	LCD backlight cathode

## 6.5 RF Power output check

If you go into menu “9.2 RF Power”, you can check your RF power output. Your RF output should preferably be connected to a dummy load, since the RF power calculation assumes that the voltage is across a 50-ohm load.

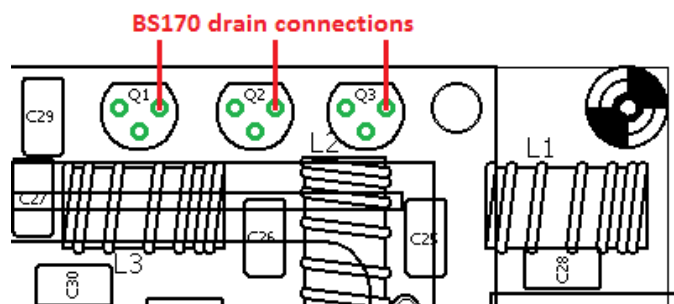


At the top right corner of the PCB, you will find a pad on the PCB where the L1 wire is soldered in. This pad is connected directly to the RF output pin of the BNC connector (see diagram). If you connect a wire from here, to pin 2 of the 3-pin DVM/RF Power header, then key-down, the display will read the power output in Watts. It is easiest to have the transceiver in Straight key mode and just press the microswitch.

Remember that the simple diode RF detector is not likely to be particularly accurate. But if you see a reading of a few watts, it will give you confidence that your transmitter is working properly.

If you do NOT see any power output on key-down, then you probably have a fault in the Power Amplifier. A common mistake, as I mentioned previously during the assembly steps, is failure to remove or burn off the enamel insulation on the enamelled copper wire wound onto the toroids.

Check the RF power wire touched to the BS170 drains first (see diagram). You can still touch the wire to these BS170 drains from the top side of the board. Key-down and check the wattage reading. At this point the indicated power will be even less reliable than across the dummy load. But at least see if it reads e watts.



If you see power output at the BS170 drains, but not at the overall transceiver RF output, then this means that the fault lies in the Low Pass Filter. Check the soldering and the enamel situation, on those toroids.

If you do not even see power output at the BS170 drains, then perhaps the L4 drain inductor in the PA has incorrectly soldered wires, that have not made an electrical connection – so check the L4 wires first and make sure the enamel is properly scraped or burnt off, to make a proper connection.

To probe other parts of the Power Amplifier circuit is less easy, because the LCD module prevents easy access. You will need to prop the PCB up vertically, and reach behind with the wire, while trying to still be able to watch the LCD screen from the front.

## 6.6 Audible continuous clicking noise during receive

This is not a fault of the radio, it is a consequence or limitation of the simple design. When the LCD is updated by the microcontroller, the activity on the signal lines to the LCD and in the microcontroller, causes digital noise which propagates into the sensitive radio receiver. In most cases when the display is updated, for example, when you change the frequency, this weak click is completely inaudible. In any case altering the frequency results in an inevitable audio discontinuity as the received spectrum suddenly shifts to the new LO frequency, and this more than masks any weak click from updating the display.

The continuous clicking noise during receive, sounding like the motor of a boat (perhaps), is due to the display update for the S-meter. You are likely to only notice this noise when the antenna is disconnected, or you have a dummy load connected. Ordinary band noise normally massively exceeds the weak clicking.

In some cases (depending on your power supply, antenna, grounding etc) the interference may be worse than normal. If this is the case, you can just switch off the S-meter. Remember that the S-meter indication is anyway only a rough indication, and with a little experience your own ears will do a much better job of estimating Signal level of the received station. The S-meter can be switched off in the “Show S-meter” configuration parameter in the “Other” menu.

## 7. Measurements

The measurements in this section were performed on assembled kits. There will always be differences from one kit to the next, due to component tolerances, adjustment differences, how you wound toroids, etc. In addition, it is often difficult to make good RF measurements. Therefore,



everything you read in this section should be interpreted as an INICATION only. Your actual results may (and probably will) differ. The following information just gives a guide of very roughly, what you might expect to see.

## 7.1 Equipment

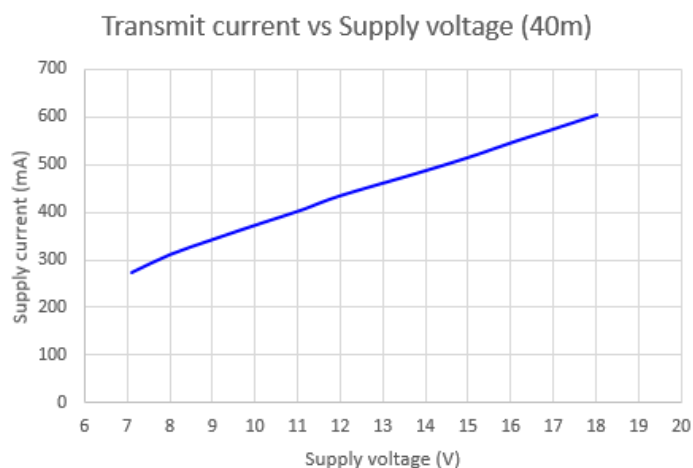
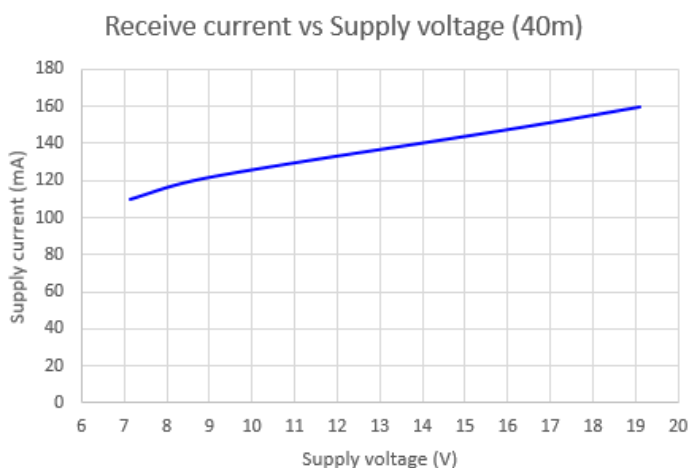
For reference, and for the sake full disclosure, the following equipment was used in making these measurements:

- OWON XS3102A 12-bit 100MHz Digital Storage Oscilloscope
- ADVANTEST R3361C 2.6GHz Spectrum Analyser with 50-ohm tracking generator
- QRP Labs 50-ohm Dummy Load kit <http://qrp-labs.com/dummy>
- XONAR U5 24-bit external USB sound card
- Argo and Spectran audio analysis software from <http://weaksignals.com>
- QRP Labs Ultimate3S for test signal generation <http://qrp-labs.com/ultimate3/u3s>
- Simple 14.000MHz battery-powered crystal oscillator signal generator
- Two generic yellow DVMs
- 12V fixed power supply, and variable voltage bench supply

## 7.2 Transceiver current consumption

The current consumption of your radio may be an important consideration if you intend portable battery-powered operation. Current consumption depends on supply voltage.

These measurements were carried out on a 40m band version of the kit. They will not differ much for other bands. At 13.8V supply for example, current consumption is about 140mA on receive, and almost 500mA on transmit.



At supply voltages above 13.8V, check the temperature of the 7805 voltage regulator, which may need a heatsink as it dissipates more heat at higher supply voltages.

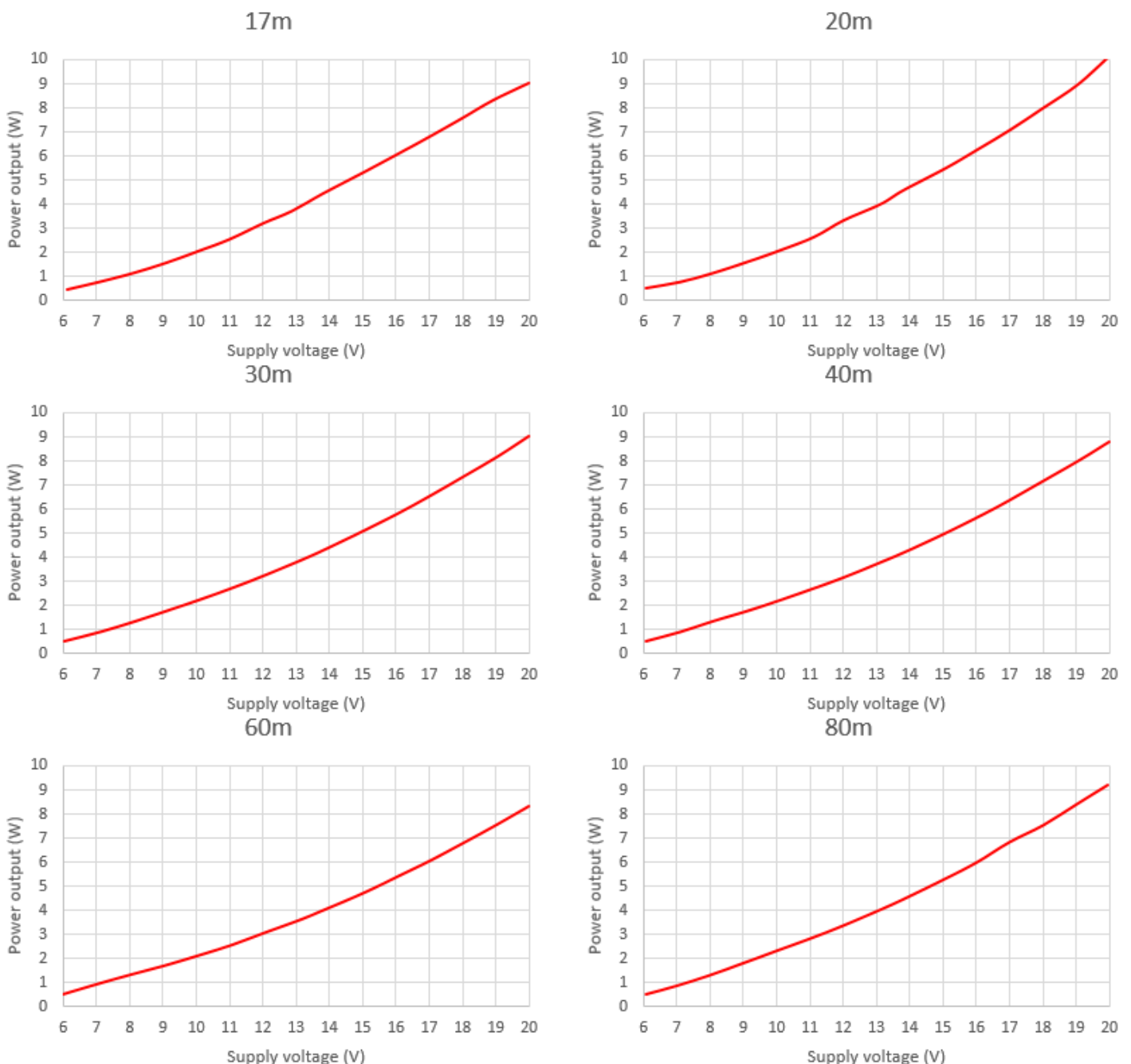
## 7.3 Transmitter power output

The transmitter RF power output varies depending on the power supply voltage. It is also dependent on band. Your results may vary depending on your Low Pass Filter inductor construction! If the cut-off frequency becomes too low, then you can start to get attenuation at the operating frequency. In this case you can remove a turn or two from each toroid.

The following charts show the power measurement using the oscilloscope to measure the peak-peak amplitude across the 50-ohm dummy load.

Operation at output power levels above 5W is NOT recommended, as it will put too much strain on the BS170 output transistors which may result in failure. For this reason, limiting the supply voltage to not more than 15 or 16V is recommended.

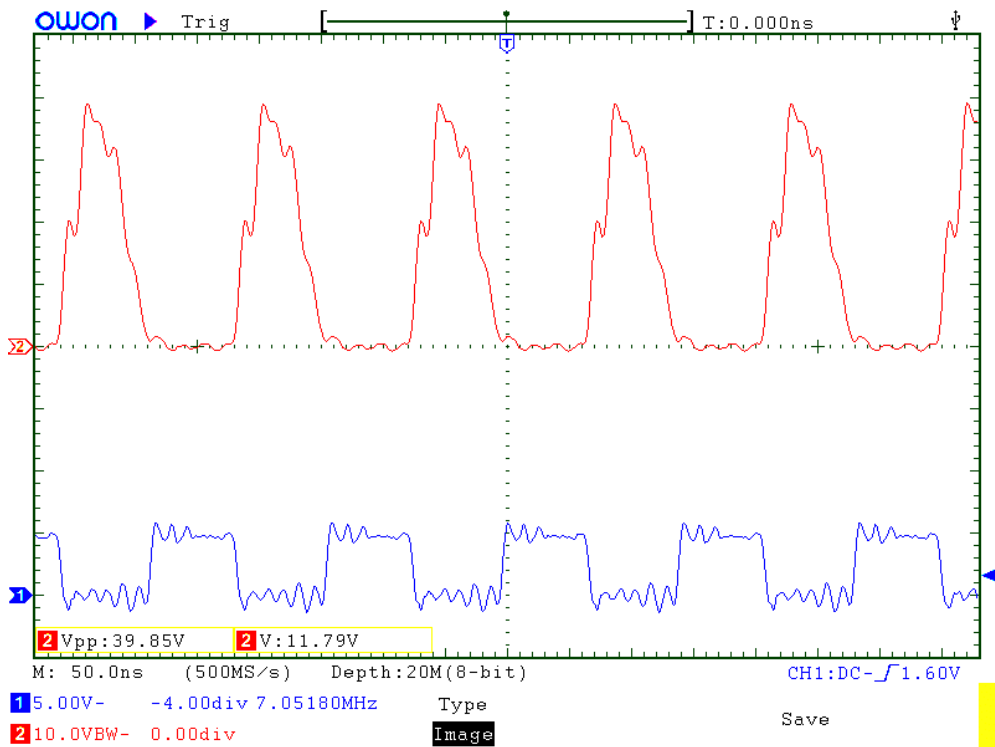
Note that these measurements do not take into account the D3 1N5819 reverse polarity protection diode voltage drop (approximately 0.3 or 0.4V). In other words, the measurements were done in a transceiver with D3 bypassed by a wire link.



## 7.4 Class-E Power Amplifier drain waveform

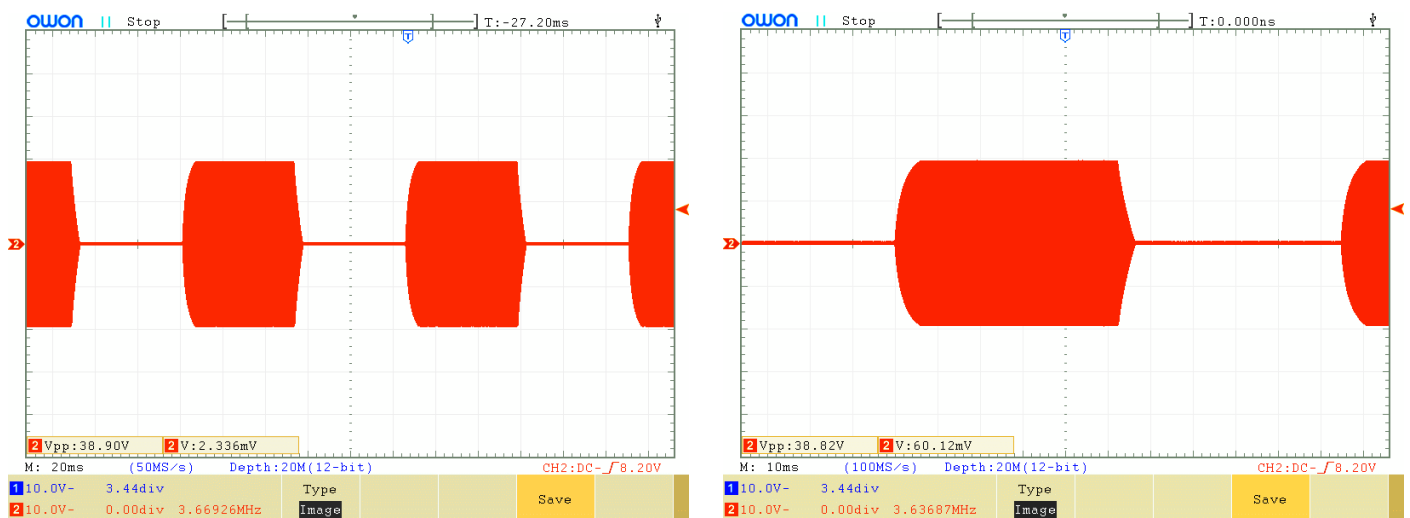
This oscilloscope chart shows the waveform at the BS170 drains (top, RED colour trace) and the input drive waveform, a 5V peak-peak squarewave (bottom, BLUE trace). The 40m band is shown.

Upon ignoring the “ringing” artefacts due to poor ‘scope probes etc., the waveforms are correct for Class-E operation.



## 7.5 RF envelope key-shaping

The following oscilloscope images show the RF envelope when keyed with a continuous 24 words per minute (50ms duration) string of dits. The simple key-shaping circuit described earlier results in rise/fall times of around 5ms and significantly attenuates key-clicks.



## 7.6 Low Pass transmitter harmonic output filter characteristics

The Low Pass Filter response was not measured. The Low Pass Filter is the same as the QRP Labs Low Pass Filter kit module <http://qrp-labs.com/lpokit> . Measurements of the Ultimate3S kit <http://qrp-labs.com/ultimate3/u3s> using these filters is on this page <http://www.qrp-labs.com/ultimate3/u3info/u3spec.html>

## 7.7 Band Pass receiver input filter characteristics

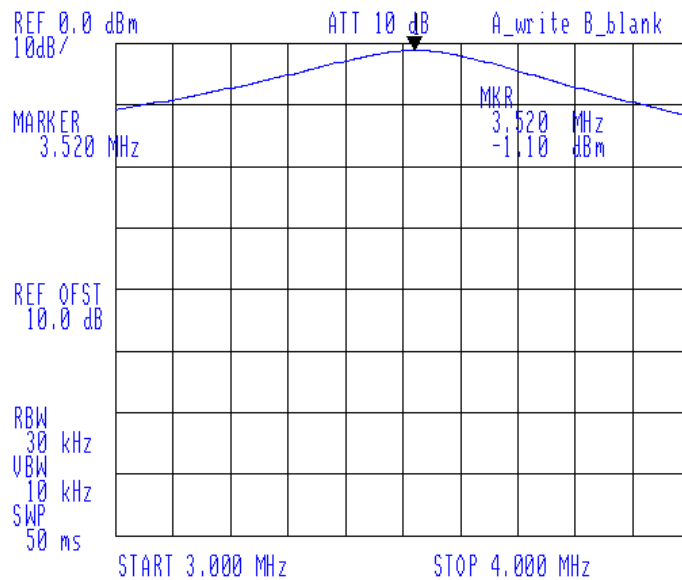
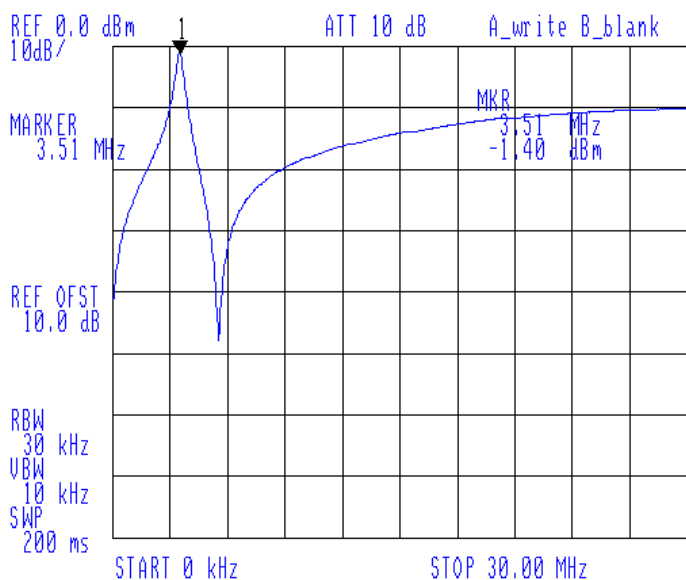
The following charts show measurements of the simple band pass receiver input filter implemented using transformer T1. For each band, one image shows the close-in response, the other shows the response across 0 to 30MHz.

Note that in the circuit, the Band Pass filter sits behind the Low Pass filter. Therefore, the low pass filter response is ADDED to the band pass filter response. These charts show a relatively poor attenuation above the passband – but this is not a problem because in this region the Low Pass Filter provides high attenuation.

For each band, the 3dB bandwidth was measured. The tuning range available was also measured (from having the C1 trimmer capacitor plates fully meshed, to having them fully un-meshed). Also shown is the attenuation at the centre frequency.

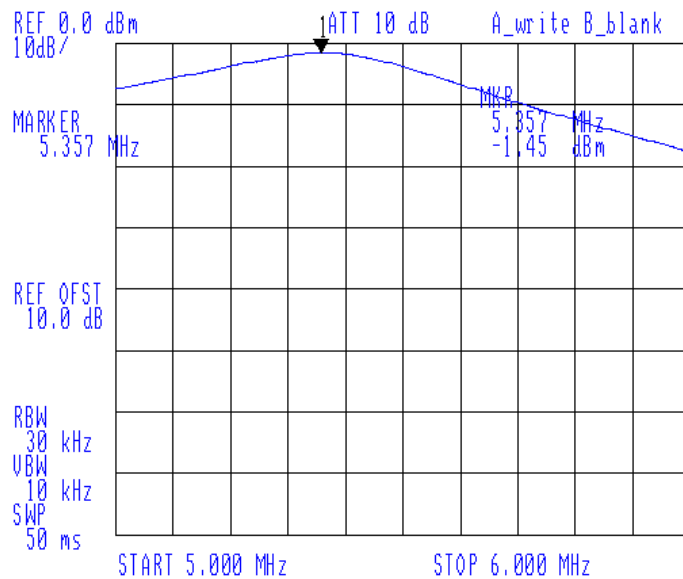
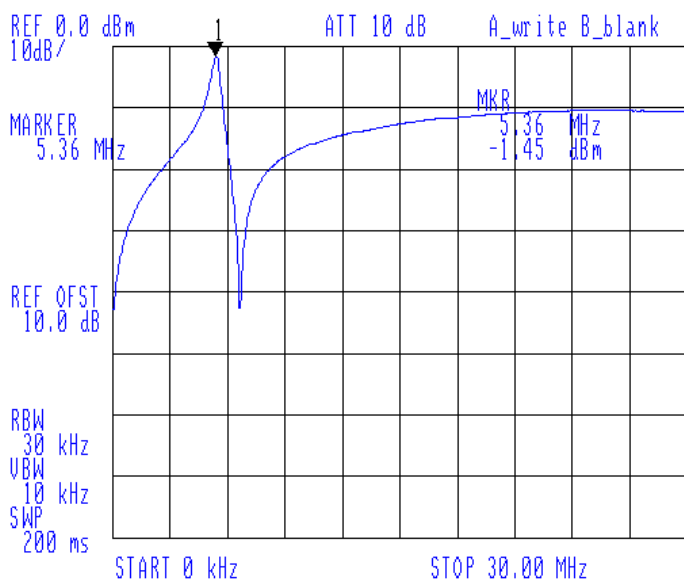
### 80m band

3dB bandwidth: 343kHz  
Insertion loss: 1.10dB at 3.520MHz centre  
Tuning range: 3.320MHz to 4.03MHz



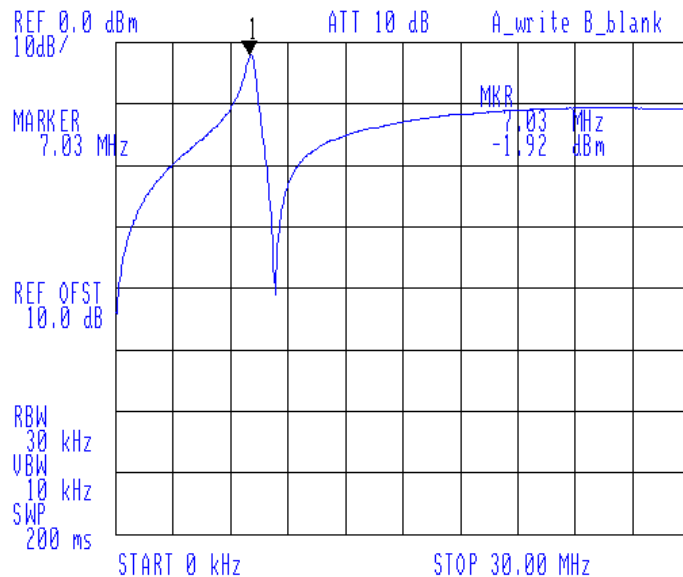
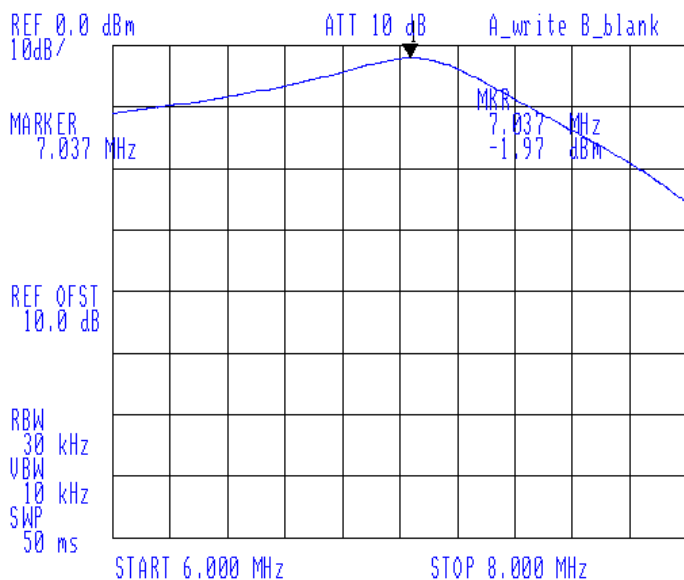
## 60m band

3dB bandwidth: 367kHz  
Insertion loss: 1.45dB at 5.357MHz centre  
Tuning range: 4.63MHz to 5.91MHz



## 40m band

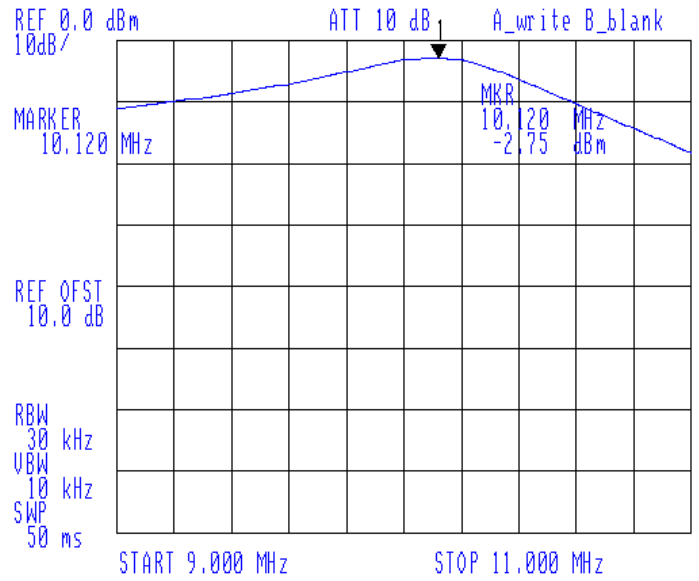
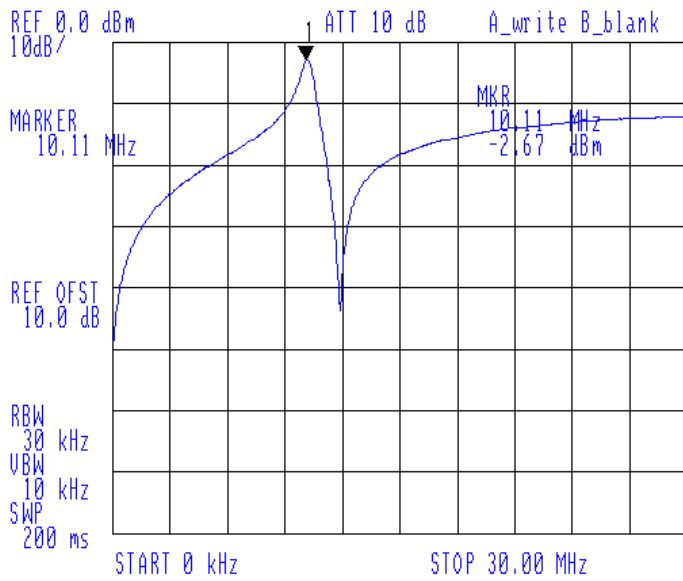
3dB bandwidth: 514kHz  
Insertion loss: 1.97dB at 7.020MHz centre  
Tuning range: 6.04MHz to 8.36MHz





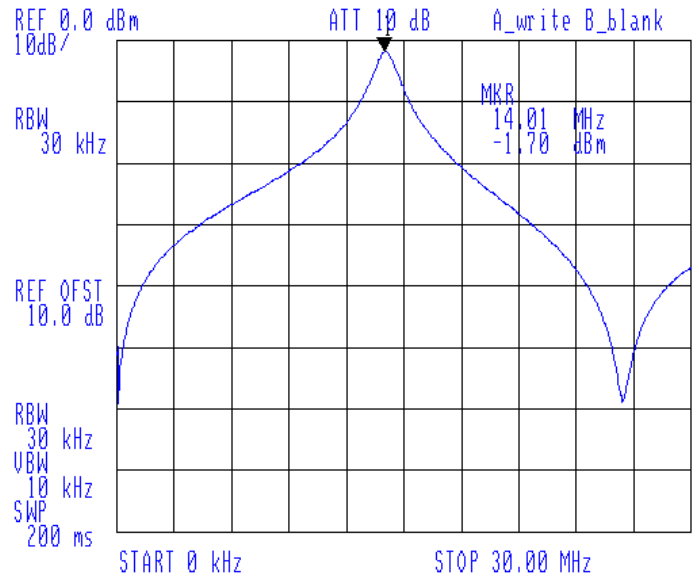
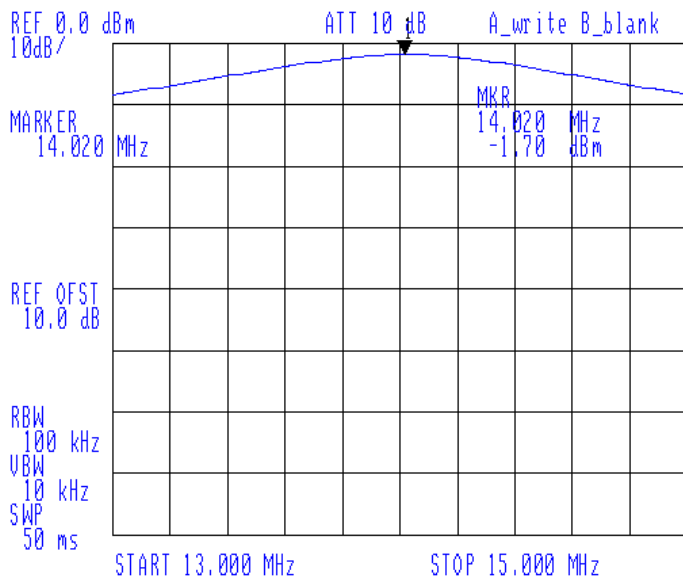
### 30m band

3dB bandwidth: 645kHz  
Insertion loss: 2.67dB at 10.120MHz centre  
Tuning range: 7.93MHz to 12.47MHz



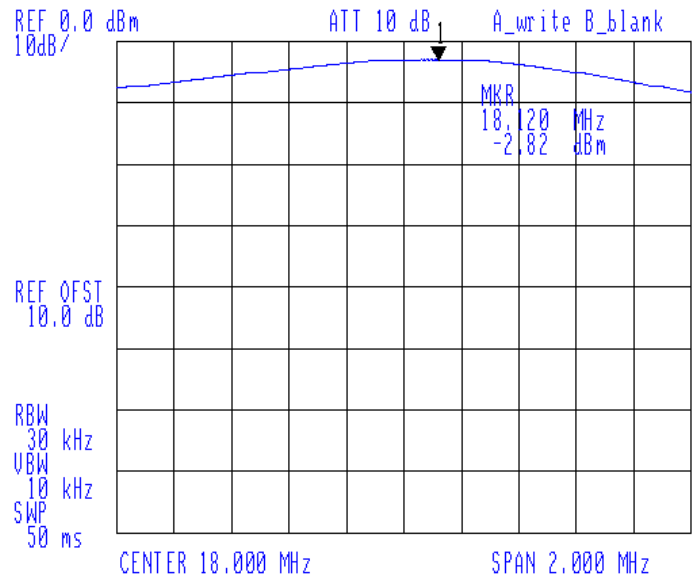
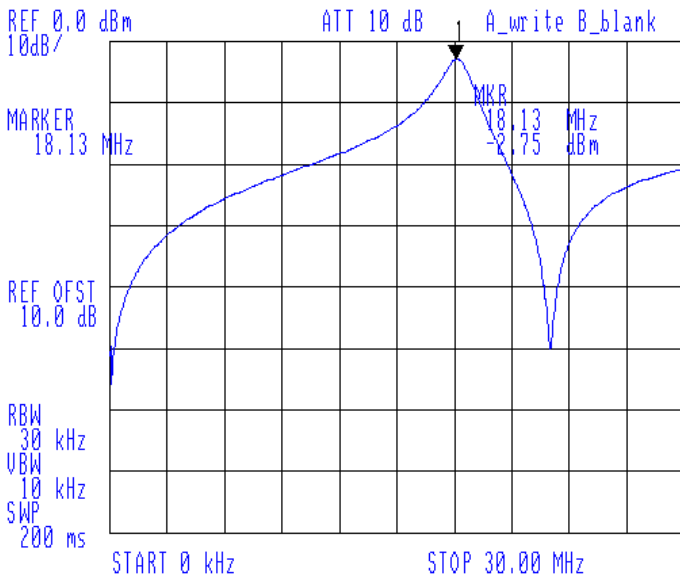
### 20m band

3dB bandwidth: 1,083kHz  
Insertion loss: 1.30dB at 14.020MHz centre  
Tuning range: 9.69MHz to 22.54MHz



## 17m band

3dB bandwidth: 1,352kHz  
Insertion loss: 2.77dB at 18.120MHz centre  
Tuning range: 12.64MHz to 35.0MHz

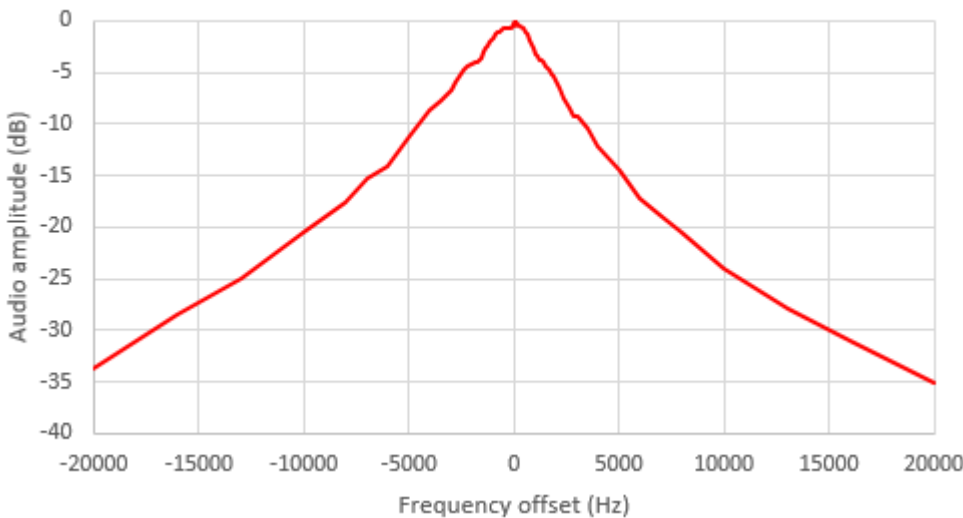


## 7.8 Quadrature Sampling Detector bandwidth

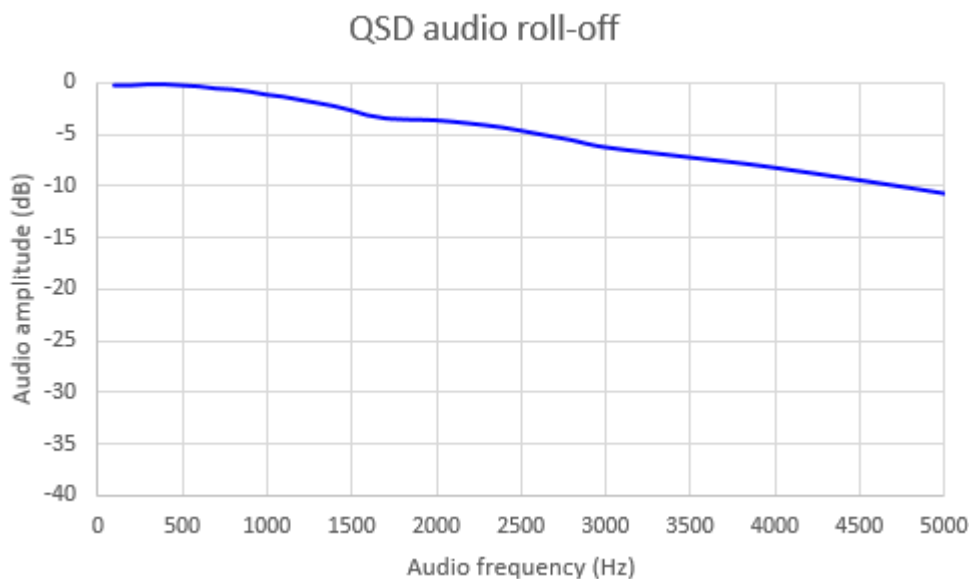
The following chart shows the attenuation naturally provided by the Quadrature Sampling Detector from -20kHz to +20kHz from the Local Oscillator frequency. The narrow characteristic of this circuit is an advantage because it effectively adds an additional narrow RF bandpass filter to the receiver, preventing strong nearby signals from reaching the audio amplifier stages. This improves intermodulation performance.

The circuit parameters are optimised for CW operation in this transceiver. A constructor wishing to use the I-Q outputs from IC5 to feed a computer SDR, would wish to flatten this response. To do this, reduce the values of the four 470nF capacitors C43 to C46.

QSD bandpass characteristic

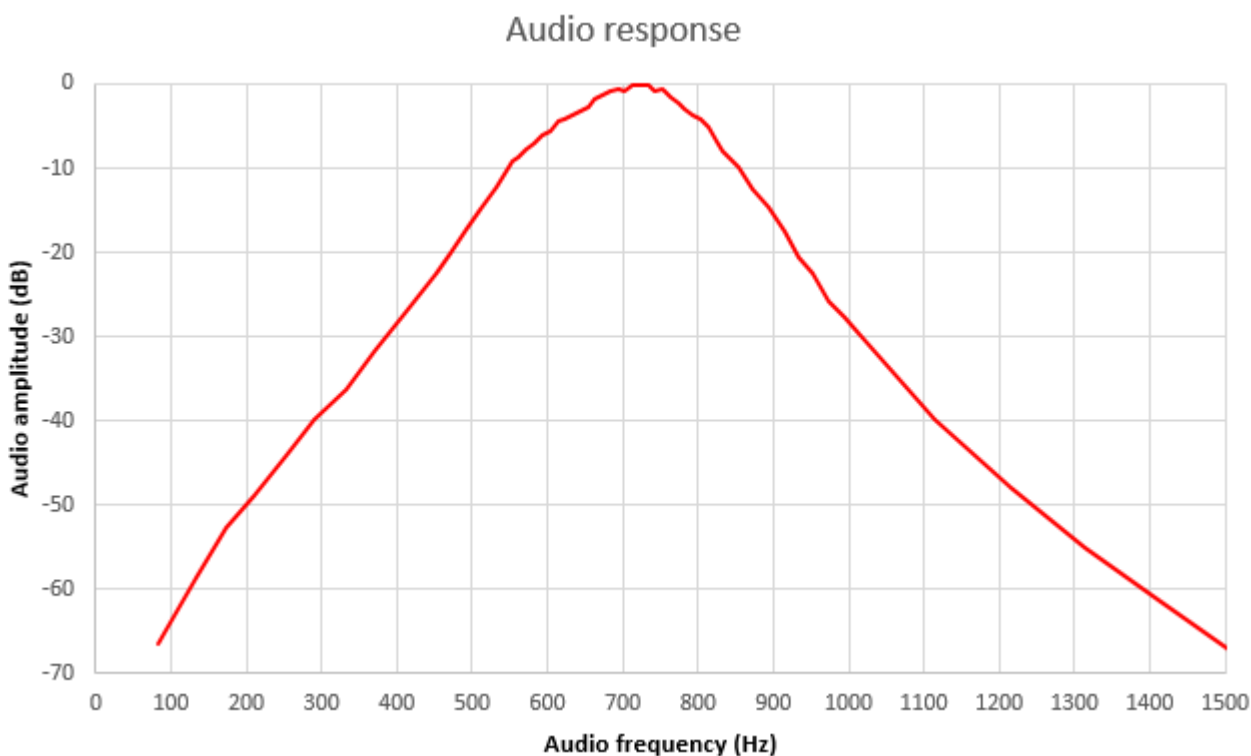


The following chart shows the Quadrature Sampling Detector roll-off over the narrower range 0 to 5kHz. You can see that at the CW operating frequency 700Hz, the attenuation is insignificant; the roll-off of the QSD does not significantly improve the selectivity of the CW filter, but it does improve the intermodulation characteristics of the receiver.



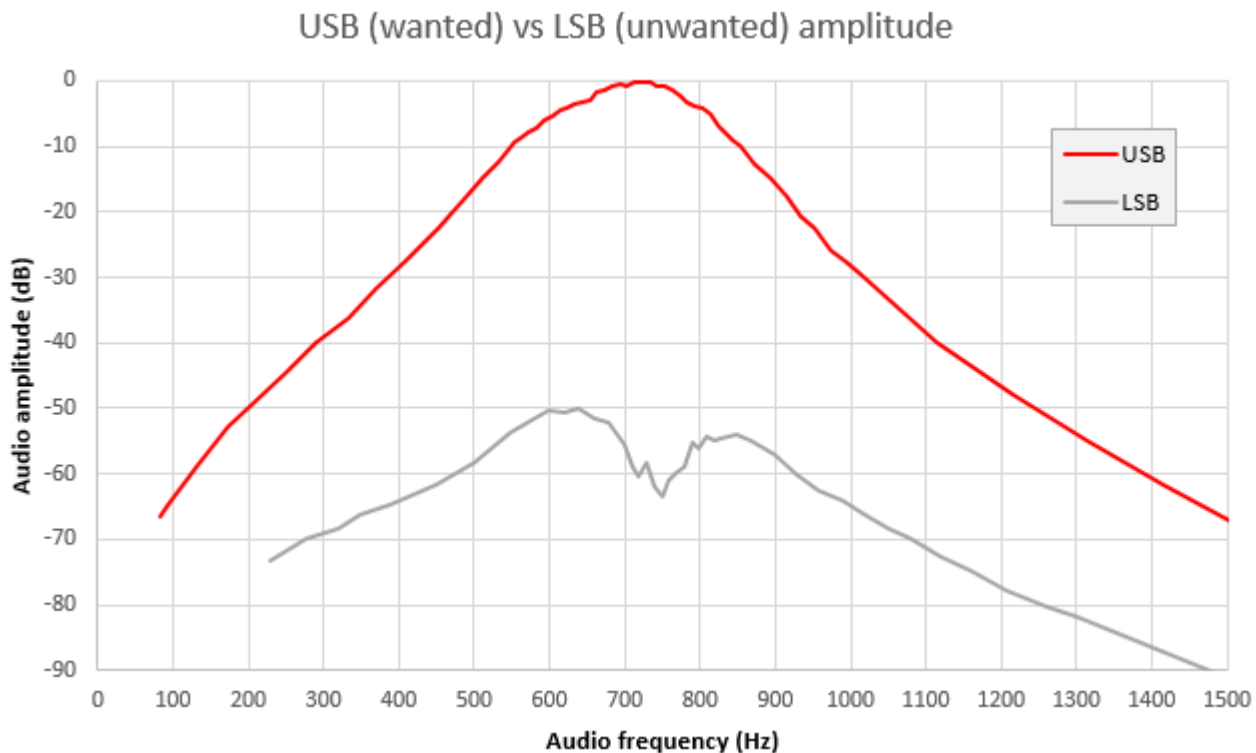
## 7.9 CW Filter response

This chart shows the measured response of the CW filter (combined with the other filtering in the receiver chain). It was measured by tuning the receiver across a test signal. Note that the centre frequency, a little over 700Hz, could be altered by changing some component values.

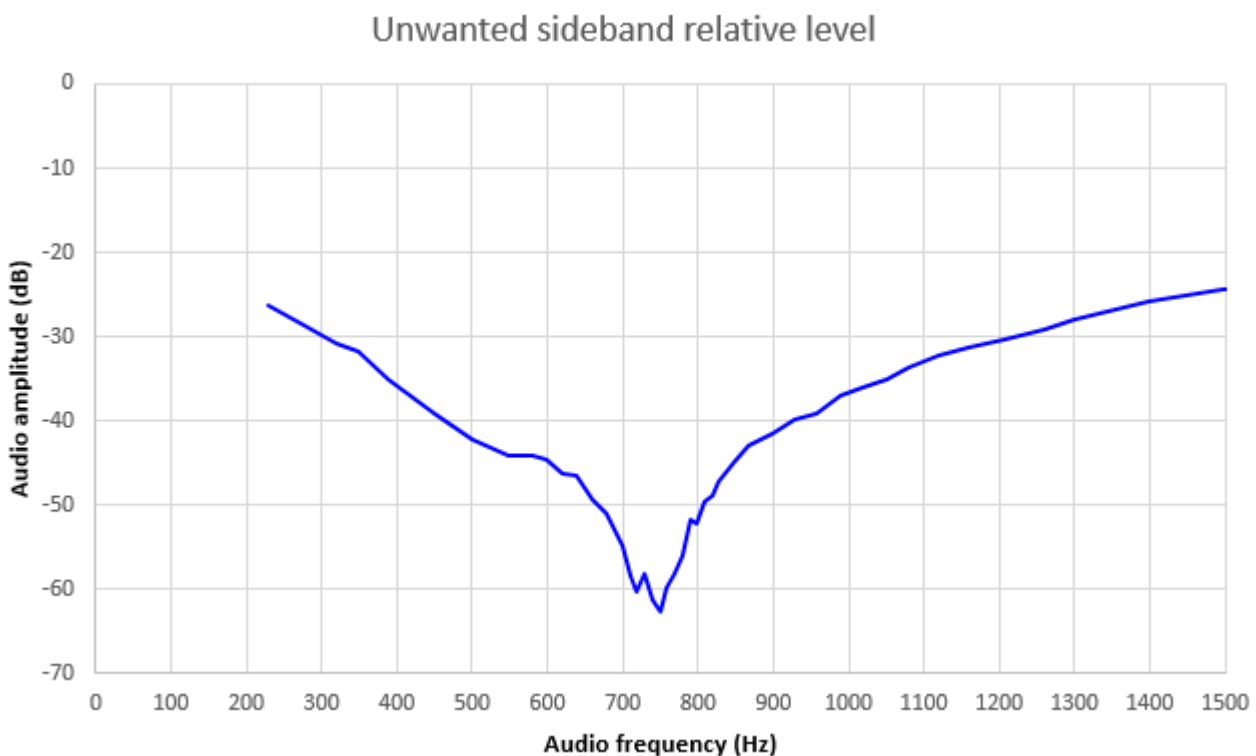


## 7.10 Unwanted sideband rejection

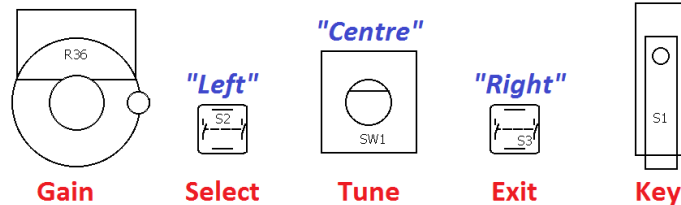
The following chart shows the measured level of the Upper Sideband signal (USB) and the unwanted Lower Sideband signal (LSB) when tuning the receiver through a strong test signal. The curves depend very heavily on the I-Q balance and audio phase shift adjustments, and these curves are from one measured prototype.



Subtraction of these two curves results in the unwanted sideband level as shown in the following chart. Normally anything above 40dB rejection is considered good; above 50dB is excellent. With the built-in adjustment features of this kit it is relatively easy to achieve really excellent unwanted sideband rejection.



# 8. Operation reference "cheat sheet"



## Main controls functions:

<p><b>Left single press:</b> Keyer speed adjust, then left again to select, or right to cancel.</p> <p><b>Left double press:</b> RIT adjust, then left again to select, or right to cancel</p> <p><b>Left long press:</b> Enter the configuration menu (see below)</p>	<p><b>Encoder turn:</b> tuning, menu selection, editing, etc</p> <p><b>Encoder press:</b> change tune rate 1kHz-&gt;500Hz-&gt;100Hz-&gt;10Hz</p> <p><b>Encoder dbl or long press:</b> choose stored message. Then Left to send repeatedly, Centre to send once, or Right to cancel</p>	<p><b>Right single press:</b> change VFO mode: A, B, Split</p> <p><b>Right Double press:</b> Select frequency preset. Then press Left (save VFO to preset), Right (load preset to VFO) or Centre (cancel)</p> <p><b>Right long press:</b> swap VFO A and B frequencies</p>
--	--	--

## Configuration menu items:

### 1 Preset

Preset 1 to Preset 16: Enter frequency presets.

### 2 Messages

- 2.1 Message 1 to Message 12:** Stored messages. First four are 100 characters, rest are 50 characters.
- 2.13 Interval:** gap between message transmissions, in seconds
- 2.14 Repeats:** number of message repeats, 1 to 99 or infinite

### 3 VFO

- 3.1 VFO mode:** A, B or Split
- 3.2 VFO A:** startup frequency
- 3.3 VFO B:** startup frequency
- 3.4 Tune rate:** startup rate, 1kHz, 500Hz, 100Hz or 10Hz
- 3.5 RIT:** Receive incremental tuning
- 3.6 RIT rate:** 1kHz to 1Hz
- 3.7 CW mode:** CW or CW-R (reverse)
- 3.8 CW offset:** default offset (700Hz)
- 3.9 Band:** configure once at start-up

### 4 Keyer

- 4.1 Keyer mode:** Straight, Iambic A/B, Ultimatic
- 4.2 Keyer speed:** in words per minute
- 4.3 Keyer swap:** swap paddle inputs
- 4.4 Keyer weight:** alter dit:space ratio
- 4.5 Auto space:** enable keyer autospacing (default OFF)
- 4.6 QSK:** full or semi break in
- 4.7 Practice:** enable practice mode, keys but no RF output
- 4.8 Sidetone frq:** normally set to same as CW offset (700Hz)
- 4.9 Sidetone vol:** volume, 0 to 99

## 5 Decoder

- 5.1 Noise blanker:** period in ms
- 5.2 Speed Avg:** for speed detection
- 5.3 Ampl. Avg:** for ampl. detection
- 5.4 Enable Rx:** enable Rx decoder
- 5.5 Enable Tx:** enable Tx decoder
- 5.6 Enable Edit:** enable CW decoding during menu editing (usefull!)

## 6 Beacon

- 6.1 Beacon:** On/Off enable beacon operation
- 6.2 Mode:** CW or WSPR
- 6.3 Frequency:** beacon frequency
- 6.4 Frame:** frame duration in minutes
- 6.5 Start:** minutes past the hour to start
- 6.6 WSPR call:** Callsign to encode in WSPR message
- 6.7 WSPR locator** 4-character Maidenhead square
- 6.8 WSPR power** dBm power level to encode in WSPR message
- 6.9 Set time:** set real time clock

## 7 Other

- 7.1 Dbl click:** dbl click delay time in milliseconds (300)
- 7.2 Batt. show:** enable battery icon on the display top right
- 7.3 Batt. Full:** set millivolts for a "full" battery icon indication
- 7.4 Batt.:** set millivolts for each battery bar step level in the icon display
- 7.5 Cursor style:** underline/flashing
- 7.6 Show S-meter:** enable S-meter display on the screen
- 7.7 S-meter step:** set value of each S-meter bar (in amplitude units)
- 7.8 Factory rst.:** Factory reset, if set to value 17 – use with caution

## 8 Alignment

- 8.1 Alignment freq:** frequency for BPF alignment
- 8.2 I-Q balance freq:** audio frequency for I-Q balance adjustment (700Hz)
- 8.3 Phase adj Lo freq:** audio freq for low audio phase adj (600Hz)
- 8.4 Phase adj Hi freq:** audio freq for high audio phase adj (800Hz)
- 8.5 Ref. frq.:** 27MHz synth reference frequency used for synthesiser
- 8.6 System frq.:** 20MHz system clock frequency used for system timing
- 8.7 Peak BPF:** do the actual BPF peaking alignment
- 8.8 I-Q bal.:** do the I-Q balance adjustment
- 8.9 Phase Lo:** do low audio phase adjustment
- 8.10 Phase Hi:** do high audio phase adjustment
- 8.11 Cal ref. osc:** do GPS calibration of 27MHz osc if GPS is connected
- 8.12 Cal sys. osc:** do GPS calibration of 20MHz osc if GPS is connected
- 8.13 GPS data:** show GPS satellite data if GPS is connected

## 9 Test equipment

- 9.1 Voltage:** measure voltage
- 9.2 RF Power:** measure RF power
- 9.3 Audio Ch.0:** measure audio channel 0 amplitude
- 9.4 Audio Ch.1:** measure audio channel 1 amplitude
- 9.5 Frequency:** measure frequency
- 9.6 Signal gen.:** enable and adjust signal generator output

**Save settings!:** save current VFO etc settings to be the default on power up; press left (select) to save, right to cancel

## 9. Resources

- For updates relating to this kit please visit the QRP Labs CW transceiver kit page <http://qrp-labs.com/qcx>
- For any questions regarding the assembly and operation of this kit please join the QRP Labs group, see <http://qrp-labs.com/group> for details

## 10. Document Revision History

1.00	02-Aug-2017	Initial revision for YOTA 2017
1.01	04-Aug-2017	Published draft version
1.02	18-Aug-2017	First official general release version
1.03	19-Aug-2017	Fixed some typos
1.04	21-Aug-2017	Corrected display description in section 4.2
1.05	31-Aug-2017	Added capacitor labels and resistor colour codes to parts list; added T1 diagram by Ed WA4MZS; minor corrections
1.06	25-Sep-2017	Added instruction to insert short end of the pin headers into PCB Added C47 and other minor corrections to parts list 6.4 IC pin count is anticlockwise (not clockwise) 6.4 table row 9, should be C43-47 (not 33-47) 3.17 The 1N4148 diode is at the board top left (not right) 5.14 GPS connector is at board right (not left) 4.2 Corrected description: top row is Rx VFO, bottom is Tx VFO 3.41 Corrected photo of 470uF which was reversed polarity
1.07	17-Oct-2017	Changed Q6 transistor to MPS751 (was MPS2907 in first kit batch) Corrected typo on p83 para 3 "in the event that" 3.3K R44 was mistakenly called R34 on parts list
1.08	23-Oct-2017	Swapped R19 and R25 in parts list and sections 3.22, 3.23 to match error on silkscreen (silkscreen prints for R19 and R25 were swapped). Note in section 3.41 that C47 can be mounted vertically above SN 500.
1.09	22-Jan-2018	Updates for PCB Rev 3
1.10	26-Jan-2018	Change section 3.36 R47 to 22K